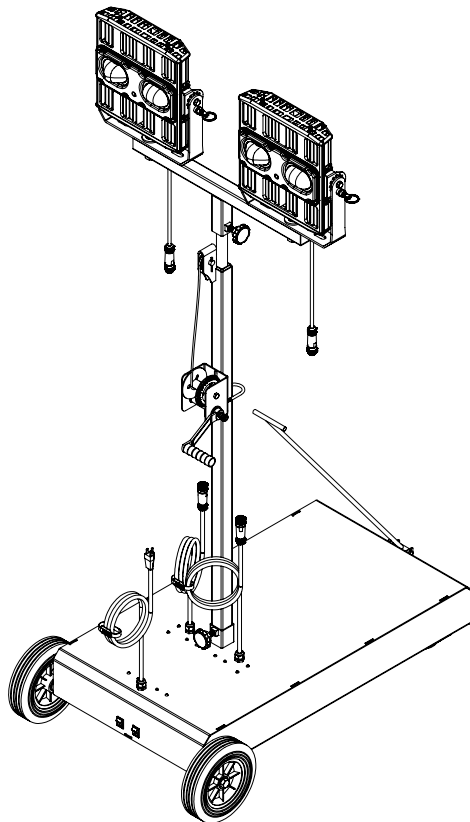


- en Operator's Manual
PORT-A-LITE®
PAL Dual LED
- es Manual del operario
PORT-A-LITE®
PAL Doble LED
- fr Manuel d'utilisation
PORT-A-LITE®
PAL Double LED



Products Covered by This Manual

The following products are covered by this manual:

PAL50 Dual LED, PAL60 Dual LED

Manual Contents:

Introduction.....	2
Safety.....	2
Features and Controls.....	5
Set-Up.....	5
Operation.....	6
Maintenance.....	9
Troubleshooting.....	9
Specifications.....	9
Wiring Diagrams.....	10

Introduction

About This Manual

TAKE TIME TO READ THIS MANUAL THOROUGHLY

This instruction manual provides necessary instructions for the Allmand® PAL50 Dual LED, PAL60 Dual LED Portable Work Light.

The information found in this manual is in effect at the time of printing. Allmand Bros Inc. may change contents without notice and without incurring obligation.

The images throughout this manual are representative, and may differ from your model.

Any reference in this manual to left or right shall be determined by looking at the trailer from the rear.

If uncertain about any of the information in the manual, contact the Allmand service department at 1-800-562-1373, or contact us through the Allmand website, www.allmand.com.

Save these original instructions for future reference.

Safety

Safety Definitions

For your safety, the safety of others, and to protect the performance of equipment, follow the precautions listed throughout the manual before operation, during operation and during periodic maintenance procedures.



Indicates a potential personal injury hazard.



Indicates a hazardous situation which, if not avoided, will result in death or serious injury.



Indicates a hazardous situation which, if not avoided, could result in death or serious injury.



Indicates a hazardous situation which, if not avoided, could result in minor or moderate injury.

NOTICE

Information considered important but not hazard related.

Safety Precautions

The following section contains general safety precautions and guidelines that must be followed to reduce risk to personal safety. Special safety precautions are listed in specific procedures. Read, understand and obey all of the safety precautions before operating or performing repairs or maintenance.



DANGER

Electrocution Hazard

- Always place the portable work light on a dry surface and away from areas where water might flow or accumulate.
- Do not stand on a wet surface or in water when connecting the portable work light to a power source such as a wall outlet or power generator, or when operating the light switch.
- Always check for overhead wires or obstructions before raising or lowering the mast.
- Always follow the rules or instructions for your work site and state, province and national electric code for maintaining a safe distance from overhead wires.
- High voltage is present when the unit is plugged into a power source. Never attempt to service electrical components while the portable work light is connected to a power source.
- Do not operate the portable work light if the insulation on the power cord or other electrical wiring is cut or worn, or if bare wires are exposed. Repair or replace damaged wiring before connecting to a power source.



WARNING

Unsafe Operation Hazard

- Never permit anyone to operate the equipment without proper training.
- Read and understand this Operator's Manual before operating or servicing the work light to ensure that safe operating practices and maintenance procedures are followed.
- Safety signs and decals are additional reminders for safe operating and maintenance techniques.



WARNING

Modification Hazard

- Never modify the equipment without written consent of the manufacturer. Any modification can effect the safe operation of the equipment.



WARNING

Rollover Hazard

- Do not raise, lower or use the work light unless positioned on firm ground.
- Never move or reposition the work light while the mast is fully extended.



WARNING

Burn Hazard

- Light fixtures become very hot during operation and shortly after shutdown.
- Handle hot components, such as light fixtures, with heat resistant gloves.

NOTICE

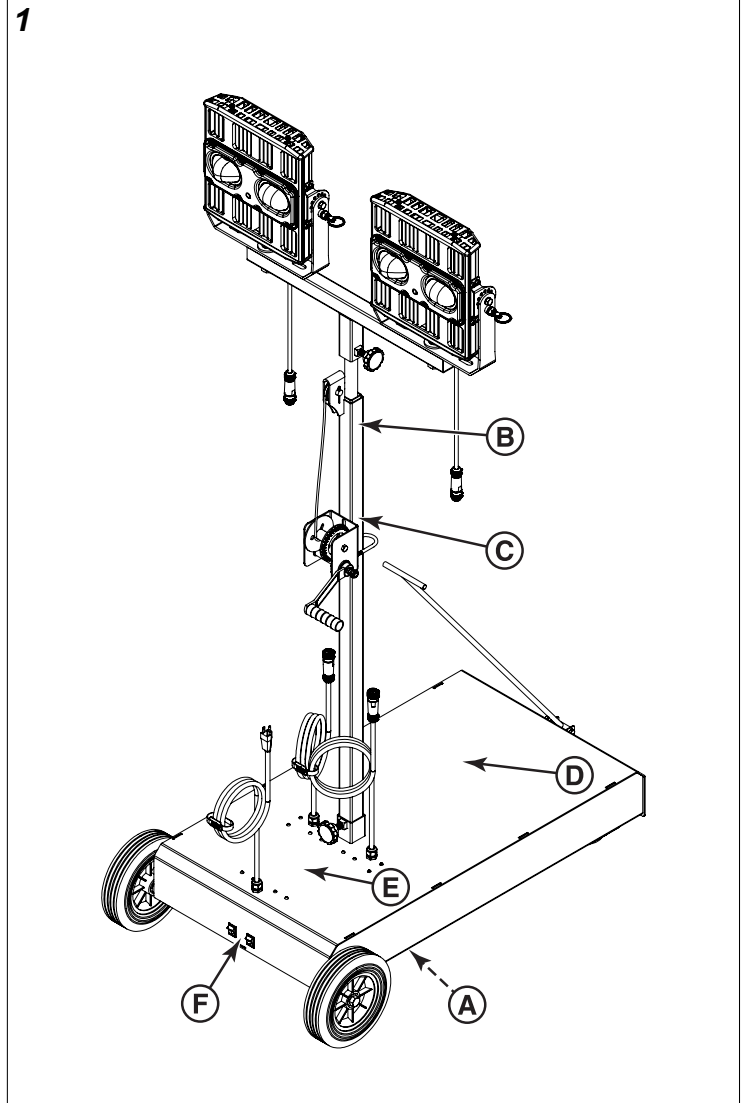
- Any part which is found defective as a result of inspection or any part whose measured value does not satisfy the standard or limit MUST be replaced.
- Always tighten components to the specified torque. Loose parts can cause equipment damage or cause it to operate improperly.
- The use of authorized Allmand® replacement parts is encouraged. The warranty does not cover damage or performance problems caused by the use of parts that are not authorized replacement parts.
- Clean all accumulated dirt and debris away from the body of the equipment and its components before you inspect the equipment or perform preventative maintenance procedures or repairs. Operating equipment with accumulated dirt and debris will cause premature wear of equipment components.
- Retrieve any tools or parts that may have dropped inside of the equipment to avoid improper equipment operation.

Safety Decals

Before operating your unit, read and understand the following safety decals. The cautions, warnings and instructions are for your safety. To avoid personal injury or damage to the unit, understand and obey all the decals.

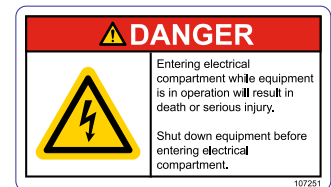
Keep the decals from becoming dirty or torn, and replace them if they are lost or damaged. Also, if a part needs to be replaced that has a decal attached to it, make sure to order the part and decal at the same time.

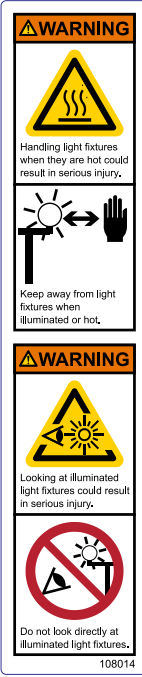
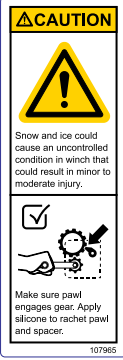

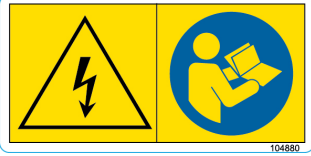
Compare Figure 1 with the tables following.




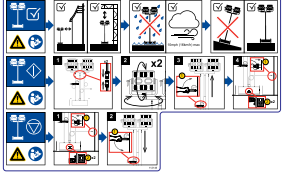
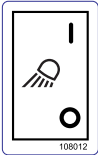


Domestic Models

A DANGER
Electrocution Hazard.
 Entering electrical compartment while equipment is operating will result in death or serious injury. Shut down equipment before entering electrical compartment.
 Part No. 107251









<p>B</p>	<p>WARNING</p> <p>Unsafe Operation Hazard.</p> <p>Looking at illuminated light fixtures could result in serious injury. Never look directly at illuminated light fixtures.</p> <p>Burn Hazard.</p> <p>Handling light fixtures when hot could result in death or serious injury. Always keep clear of light fixtures when illuminated or hot.</p> <p>Part No. 108014</p>	
<p>C</p>	<p>CAUTION</p> <p>Snow and ice could cause uncontrolled condition in winch that could result in minor to moderate injury.</p> <p>Always check to make sure pawl engages gear, and apply silicone to winch as needed.</p> <p>Part No. 107965</p>	
<p>D</p>	<p>No Step</p> <p>Part No. 090147</p>	
<p>International Models</p>		
<p>A</p>	<p>DANGER</p> <p>Electrocution Hazard.</p> <p>Entering electrical compartment while equipment is operating will result in death or serious injury. Shut down equipment and read manual before entering electrical compartment.</p> <p>Part No. 104480</p>	

<p>B</p>	<p>WARNING</p> <p>Unsafe Operation Hazard.</p> <p>Looking at illuminated light fixtures could result in serious injury. Never look directly at illuminated light fixtures.</p> <p>Burn Hazard.</p> <p>Handling light fixtures when hot could result in death or serious injury. Always keep clear of light fixtures when illuminated or hot.</p> <p>Part No. 108011</p>	
<p>C</p>	<p>CAUTION</p> <p>Snow and ice could cause uncontrolled condition in winch that could result in minor to moderate injury.</p> <p>Always check to make sure pawl engages gear, and apply silicone to winch as needed.</p> <p>Part No. 107532</p>	
<p>D</p>	<p>No Step</p> <p>Part No. 107522</p>	
<p>All Models</p>		
<p>E</p>	<p>Operating Instructions</p> <p>Part No. 112146</p>	
<p>F</p>	<p>Light On / Off</p> <p>Part No. 108012</p>	

Operation Icons

The following table contains safety and operation icons that may be found on the unit, along with the meaning of each icon.

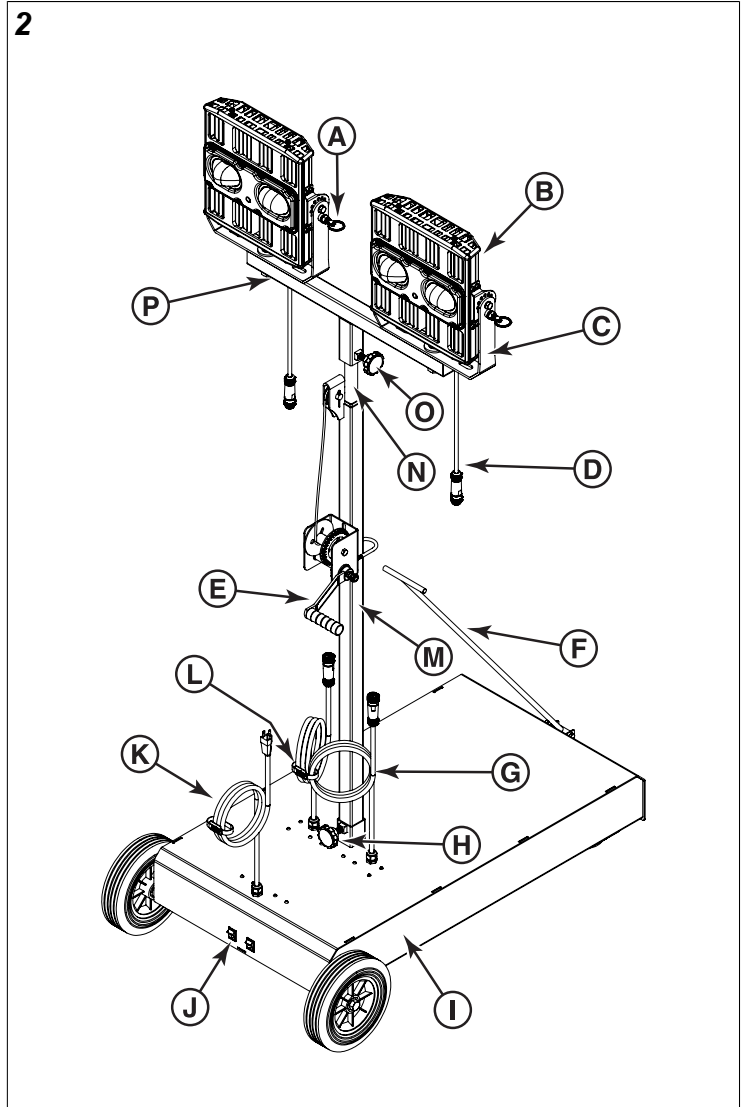
Icon	Meaning
	Unit Check
	Unit Operation
	Unit Shutdown
	Work Light
	Power On
	Power Off

Features and Controls

Allmand® Port-A-Lite® PAL Dual LED portable work lights are intended for use as a stationary light source. They may be used indoors on dry surfaces, and may be used outdoors on dry surfaces and in weather conditions when wind or precipitation are not present.

The Allmand® Port-A-Lite® PAL Dual LED portable work lights require an external power source and may be plugged into a wall outlet or portable generator.

Identify the features and controls of the machine by comparing Figure 2 with the table following.



Ref	Description
A	Fixture Locking Pin (2) (Fixture Handle Nut on some models)
B	LED Light Fixture (2)
C	Fixture Yoke (2)
D	Fixture Cable (2)
E	Winch Assembly
F	Tow Handle
G	Base Cable (2)
H	Mast Socket Knob
I	Base Assembly
J	Power Switch (2)
K	Power Cord
L	Cable Tie
M	Outer Mast
N	Inner Mast
O	Light Bar Knob
P	Light Bar

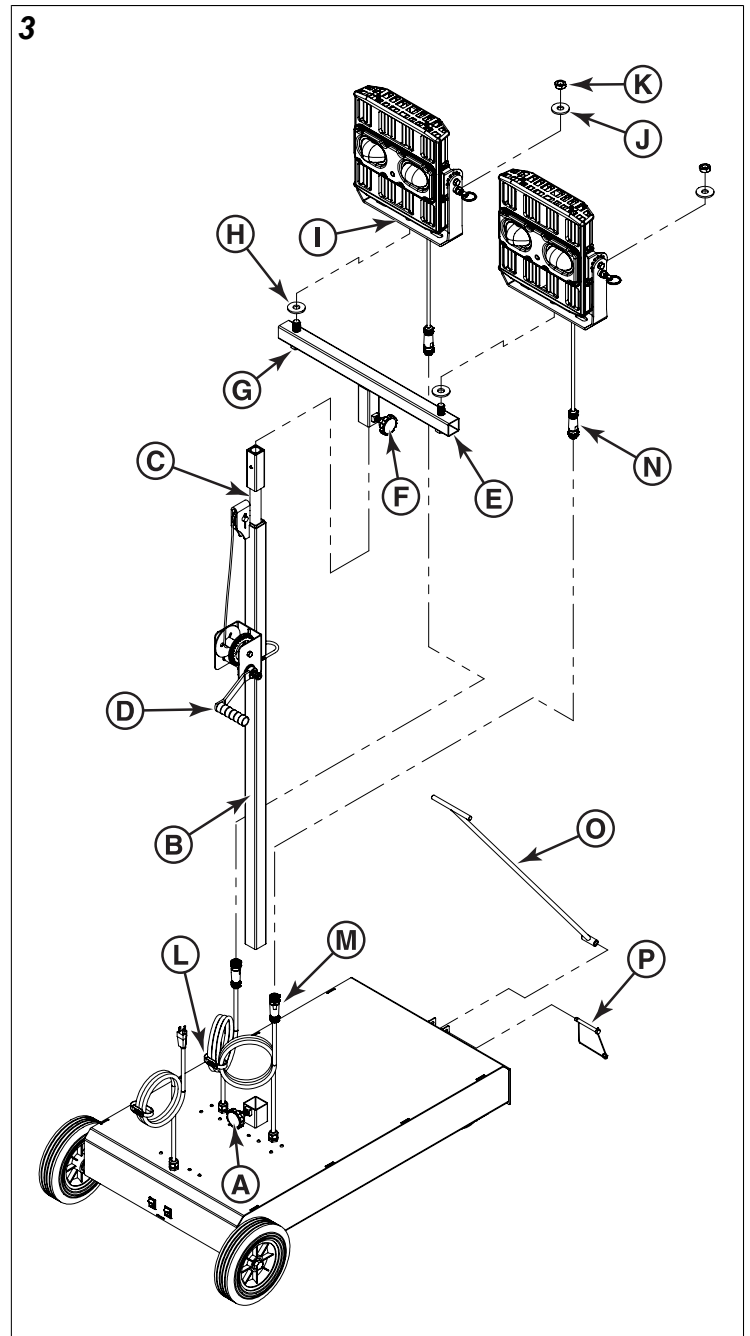
Set-Up

Preparing For Set-Up

Allmand® Port-A-Lite® PAL LED portable work lights are shipped in separate cartons, and require assembly before use. Upon receiving the unit, remove each piece from the shipping cartons and inspect the parts for damage. Contact your dealer or Allmand if parts were damaged during shipping.

Set-Up Instructions

1. Loosen the mast socket knob (A, Figure 3).
2. Install the outer mast (B, Figure 3) into the socket, and tighten the mast socket knob.
3. Make sure that the inner mast (C, Figure 3) is fully lowered. If needed, turn the winch (D) counterclockwise to lower the inner mast.
4. Install the light bar (E, Figure 3) onto the inner mast, followed by the light bar knob (F). Tighten the light bar knob.
5. Install a bolt (G, Figure 3) up through the holes in each end of the light bar. Install the plastic washer (H) onto the bolt, followed by the center hole of the fixture yoke (I), plated washer (J) and jam nut (K). Tighten the nut.
6. Remove the cable tie (L, Figure 3) from the base cables (M).
7. Connect the base cables to the fixture cables (N, Figure 3).
8. Attach the tow handle (O, Figure 3) to the base with the clevis pin (P).



Operation

Preparing The Unit For Use



WARNING

Unsafe Operation Hazard.

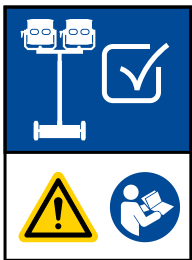
Operating the unit with worn, damaged or missing parts can result in death or serious injury. Always replace worn, damaged or missing parts promptly. Do not operate this unit until all worn, damaged or missing parts have been replaced, and proper operation of unit has been verified.

NOTICE

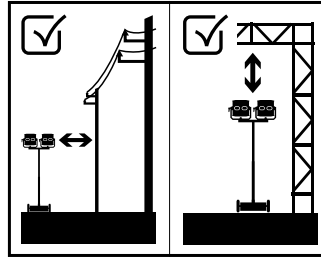
We encourage the use of authorized Allmand® replacement parts. The warranty does not cover damage or performance problems caused by the use of parts that are not authorized replacement parts.

1. Make sure that a copy of the Operator's Manual is with the unit.
2. Make sure that you can read all the safety decals, and that they are in their correct locations on the unit. See **Safety Decals** in the **Safety** section of this manual.
3. Make sure that the unit operates correctly. (See **Operating The Unit** for detailed information on operating procedures.)
 - Make sure that the inner mast can be raised and lowered properly with the winch.
 - Make sure that the LED fixture hardware is tightened.
 - Make sure that the power cord, base cables and fixture cables are not frayed or damaged, and that the connectors are not damaged.
 - Make sure that the mast socket knob and light bar knob are tightened.
 - Make sure that the wheels are in good condition, and that they roll freely.
4. Plug the power cord into a wall or generator outlet. See **Specifications** for detailed information on power requirements.
5. Turn the power switches to the ON position to make sure that the LED fixtures operate. See **Troubleshooting** if the LED fixtures do not come on. When finished, turn the power switches to the OFF position and disconnect the power cord from the outlet.

Work Site Considerations



Prior to setting up and operating the work light, the operator must determine where to place it on the work site. It is the operator's responsibility to ensure that the work light is properly and safely positioned on at the work site. Be sure to follow rules or instructions for your work site, and any state, province and federal rules that may apply.



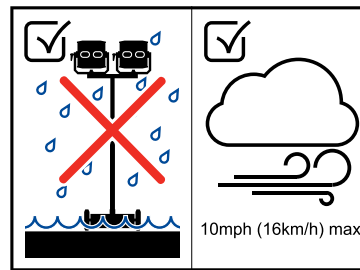
Overhead Obstructions

Always keep well clear of any overhead power wires. Make sure there are no overhead obstructions where you intend to place the portable work light. Keep clear of any loose cables, ropes or obstructions that could ensnare the mast or LED fixtures. When the mast is fully elevated, the portable work light stands 138 inches (350.5 cm) from ground level to the top of the LED fixtures.



Electrocution Hazard.

Contact with overhead electrical wires will result in death or serious injury. Always follow the rules or instructions for your work site, and the state, province and federal rules for maintaining a safe distance from overhead wires.



Wetness & Wind

The portable work light must be placed on a dry surface away from areas that might become wet.



Shock Hazard.

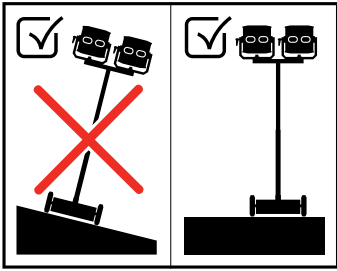
Positioning a portable work light on a wet surface or in water will result in death or serious injury. Always position the work light on a dry surface away from areas where water may flow or accumulate.

Do not set up the work light in an area where winds exceed 10 mph (16 km/h).



Unsafe Operation Hazard.

Operating the portable work light with the mast fully elevated in winds exceeding 10 mph (16 km/h) can cause work light tip over resulting in death or serious injury. Always fully lower the mast when winds are expected to exceed 10 mph (16 km/h).



Work Surface

The portable work light must be placed on a firm, stable surface capable of supporting the total weight of the work light. The surface should be level, and must not exceed a grade of 5% (2.8° incline) in any direction.

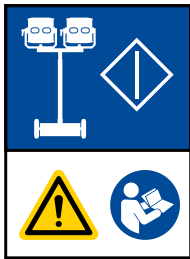


WARNING

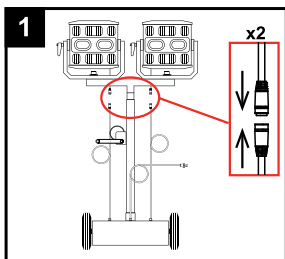
Rollover / Tipover Hazard.

Positioning the portable work light on soft or unstable ground could cause work light rollover resulting in death or serious injury. Always position the work light on a firm, level and stable surface.

Operating The Unit To Operate The Unit

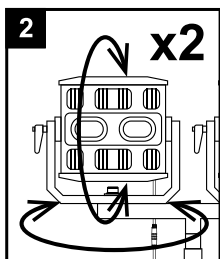


1. Connect the LED fixtures.



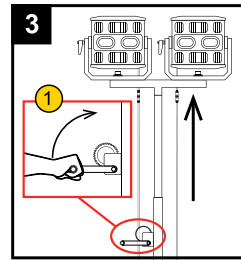
Loosen the cable tie. Connect the base cables to the fixture cables.

2. Position the LED fixtures.



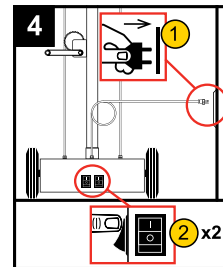
The LED fixtures may be rotated left / right, and up / down.

3. Raise the mast to the desired height.



Turn the winch handle clockwise to raise the inner mast to the desired height.

4. Connect the power cord and turn on the work light.

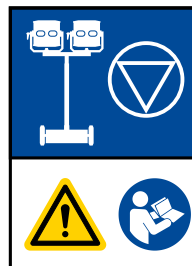


1. Connect the power cord to an outlet on a wall or power generator.

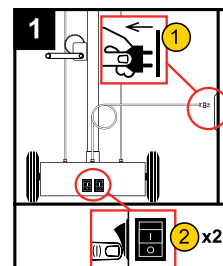
Note: If an extension cord is required, use an extension cord rated for the current required by the work light. See **Specifications** for detailed information on power requirements.

2. Move the power switch(es) to the ON position.

To Shut Down The Unit



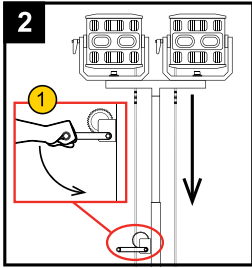
1. Shut off the work light and disconnect the power cord.



1. Move the power switch(es) to the OFF position.

- Disconnect the power cord from the outlet on the wall or power generator.

2. **Lower the mast.**



Turn the winch handle counterclockwise until the inner mast is fully lowered.

Maintenance

General Maintenance



WARNING

Shock Hazard.

Contact with high voltage could result in death or serious injury. Turn off the unit and disconnect the power cord before you do maintenance.

Burn Hazard.

Contact with hot surfaces could result in death or serious injury. Wait 10 minutes after turning the unit off before you do maintenance.

- Make sure that the unit is in good operating condition. See **Preparing the Unit for Use**.
- Make sure that no components are missing, worn or damaged.



WARNING

Do not operate the unit with missing, worn or damaged components. Death or serious injury could result. Contact your authorized dealer for service.

- Make sure that all the hardware on the unit is tight.
- Wipe down the unit with a damp cloth to remove dust, dirt and debris.
- Occasionally apply a small amount of grease to the wheels.

Location of Serial Number Plate

The serial number plate for the work light is located on the end of the base near the power switch.

Location of Weight and Power Information

Information on the weight of the work light is located on top of the base near the mast.

Information on the electrical requirements for the work light is located on top of the base near the mast and next to the weight decal.

Troubleshooting

Problem	Possible Cause
No light	1. Unit not plugged in. Plug unit into power source.
	2. Power switch turned off. Turn power switch to ON.
	3. Base cable not connected to fixture cable. Connect base cable to fixture cable.
	4. Unit malfunction. Contact authorized dealer.

Specifications

Dimensions

Description	In	Cm
Overall Length	49.4	125.4
Overall Width	41	104.1
Overall Height (Fully Lowered)	90	228.6
Overall Height (Fully Extended)	138	350.5

Weight

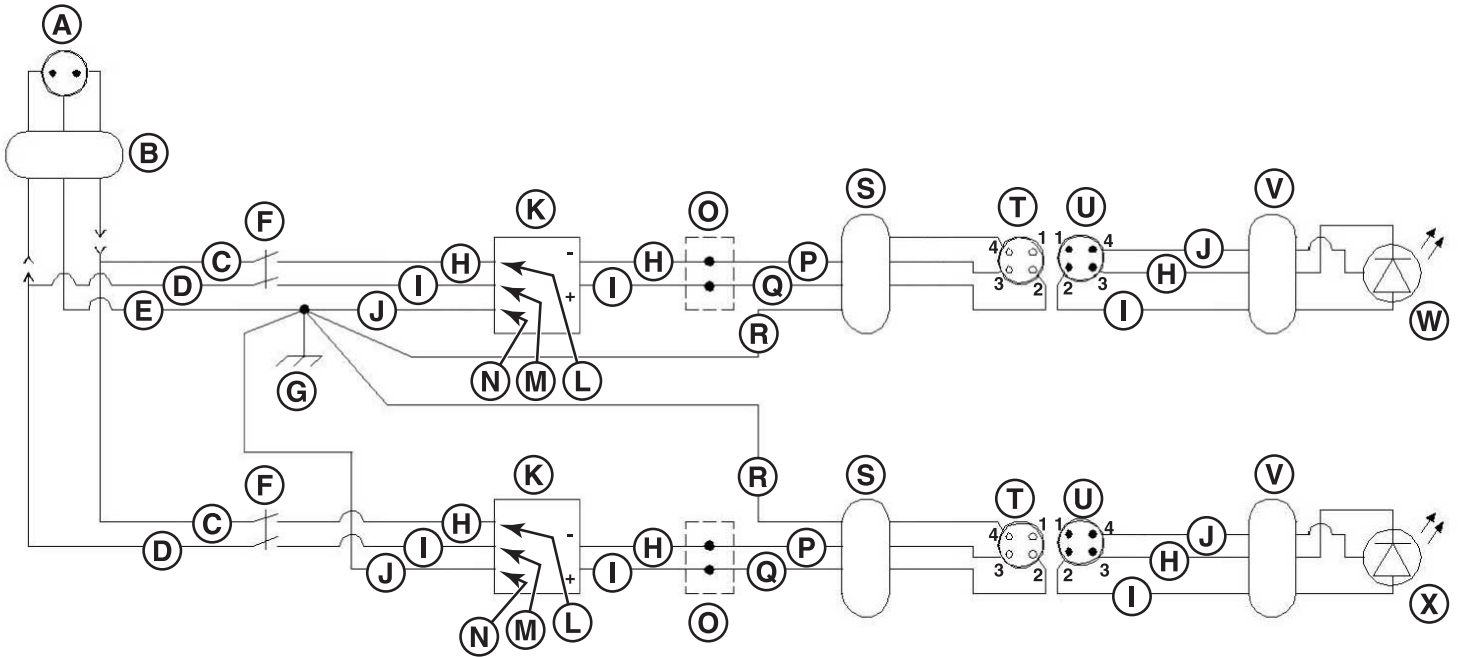
Description	Lb	Kg
Overall	224	101.6
Base	153	69.4
Mast	30	13.6
Light Bar	7	3.2
Light Fixture (each)	17	7.7

Power Requirement

Description	PAL50 Dual LED	PAL60 Dual LED
Frequency - Hertz	50	60
Volts	220	120
Amps	7	7

Wiring Diagrams

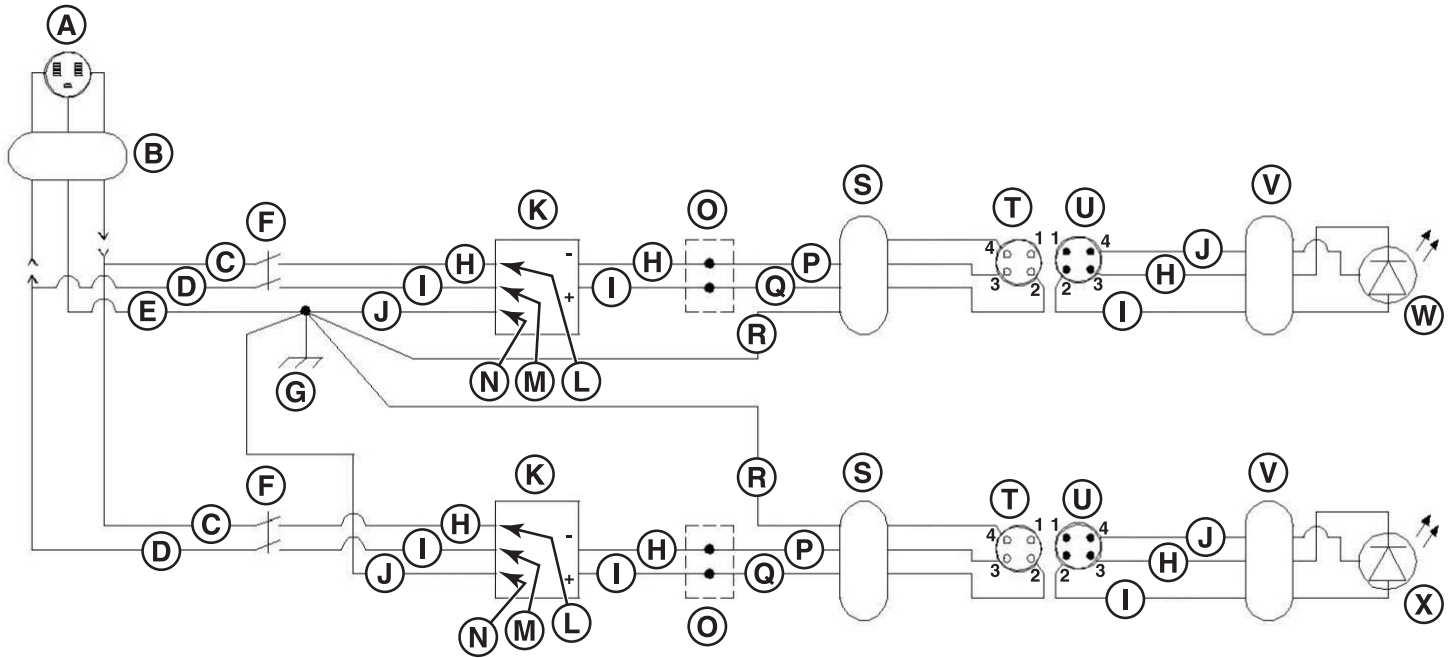
PAL50 Dual LED



PAL50 Dual LED

PAL50 Dual LED	
A	16 Amp 250V Schuko Male Plug
B	14/3 Cord
C	White - 14 AWG
D	Black - 14 AWG
E	Green - 14 AWG
F	15 Amp DPST Switch
G	AC Ground
H	Blue
I	Brown
J	Green w/Yellow Stripe
K	LED Driver
L	ACN
M	ACL
N	Ground
O	2-Gang Terminal Strip
P	Black
Q	White
R	Green
S	16/3 Cord
T	4-Pin Female Quick Connector
U	4-Pin Male Quick Connector
V	LED Cord
W	#1 LED Light
X	#2 LED Light

PAL60 Dual LED



PAL60 Dual LED

A	120V Male Plug
B	14/3 Cord
C	White - 14 AWG
D	Black - 14 AWG
E	Green - 14 AWG
F	15 Amp DPST Switch
G	AC Ground
H	Blue
I	Brown
J	Green w/Yellow Stripe
K	LED Driver
L	ACN
M	ACL
N	Ground
O	2-Gang Terminal Strip
P	Black
Q	White
R	Green
S	16/3 Cord
T	4-Pin Female Quick Connector
U	4-Pin Male Quick Connector
V	LED Cord
W	#1 LED Light
X	#2 LED Light

Productos cubiertos por este manual

Los siguientes productos se cubren en este manual:

PAL50 Dual LED, PAL60 Dual LED

Índice de contenidos:

Introducción.....	12
Seguridad.....	12
Características y controles.....	15
Instalación.....	16
Operación.....	17
Mantenimiento.....	19
Resolución de problemas.....	20
La sección.....	20
Diagramas de cableado.....	21

Introducción

Acerca de este manual

TÓMESE EL TIEMPO PARA LEER ESTE MANUAL MINUCIOSAMENTE

Este manual de instrucciones brinda todas las instrucciones necesarias para Allmand® PAL50 Dual LED, PAL60 Dual LED Portable Work Light.

La información que encuentre en este manual está vigente a partir del momento de la impresión. Allmand Bros Inc. puede cambiar los contenidos sin previo aviso si se ve en la obligación.

Todas las imágenes de este manual son representativas y pueden diferir de su modelo.

Toda referencia “hacia la derecha” o “hacia la izquierda” que se haga en este manual, deberá determinarse mirando el remolque desde la parte posterior.

Si no está seguro acerca de la información de este manual, comuníquese con el Departamento de Mantenimiento de Allmand al 1-800-562-1373, o bien, comuníquese con nosotros en el sitio web de Allmand, www.allmand.com.

Conserve estas instrucciones originales para futuras consultas.

Seguridad

Definiciones de seguridad

Para su seguridad, la seguridad de otros y para proteger el rendimiento del equipo, siga las precauciones que se indican en todo el manual antes de la operación, durante la operación y durante los procedimientos de mantenimiento periódico.



Indica un posible riesgo para su integridad física.



PELIGRO

Indica un riesgo que, de no evitarse, provocará la muerte o lesiones de gravedad.



ADVERTENCIA

Indica un riesgo que, de no evitarse, podría provocar la muerte o lesiones de gravedad.



PRECAUCIÓN

Indica un riesgo que, de no evitarse, podría provocar lesiones leves o moderadas.

AVISO

Información que se considera importante pero que no está relacionada con un peligro.

Precauciones de seguridad

La siguiente sección contiene precauciones y pautas generales de seguridad que se deben obedecer para reducir el riesgo para la seguridad personal. Las precauciones especiales de seguridad se indican en procedimientos específicos. Lea, comprenda y obedezca todas las precauciones de seguridad antes de operar o realizar reparaciones o mantenimiento.



PELIGRO

Peligro de electrocución

- Siempre coloque la luz de trabajo portátil en una superficie seca y alejada de áreas donde pudiera fluir o acumularse agua.
- No se pare en una superficie mojada o en agua al conectar la luz de trabajo portátil a una fuente de alimentación como una toma de pared o un generador o al operar el interruptor de luz.
- Siempre verifique en busca de cables aéreos u obstrucciones antes de elevar o bajar el mástil.
- Siempre siga las reglas o instrucciones de su lugar de trabajo y el código eléctrico estatal, provincial o nacional para mantener una distancia segura de los cables aéreos.
- Cuando la unidad está enchufada en una fuente de alimentación, hay alto voltaje. Nunca intente realizar reparaciones o mantenimiento a componentes eléctricos cuando la luz de trabajo portátil está conectada a una fuente de alimentación.
- No opere la luz de trabajo portátil si el aislamiento en el cable de alimentación u otro cableado eléctrico presenta cortes o desgaste o si hay cables desnudos expuestos. Repare o reemplace cableado dañado antes de conectar a una fuente de alimentación.



ADVERTENCIA

Peligro de operación no segura

- Nunca permita que alguien opere el equipo si no cuenta con la capacitación adecuada.
- Lea y comprenda este Manual del operador antes de operar la luz de trabajo o antes de realizar reparaciones o mantenimiento en ella para asegurar que se sigan los procedimientos de mantenimiento y prácticas de operación seguros.
- Las calcomanías y señales de seguridad son recordatorios adicionales para las técnicas de mantenimiento y operación seguras.



ADVERTENCIA

Peligro de modificación

- Nunca modifique el equipo sin el consentimiento por escrito del fabricante. Cualquier modificación puede afectar la operación segura de equipo.



ADVERTENCIA

Peligro de vuelco

- No eleve, baje o use la luz de trabajo si no está colocada en terreno firme.
- Nunca mueva o cambie la posición de la luz de trabajo mientras que el mástil esté completamente elevado.



ADVERTENCIA

Peligro de quemaduras

- Las luminarias se calientan mucho durante la operación y brevemente después de apagarse.
- Manipule los componentes calientes, como las luminarias, con guantes resistentes al calor.

AVISO

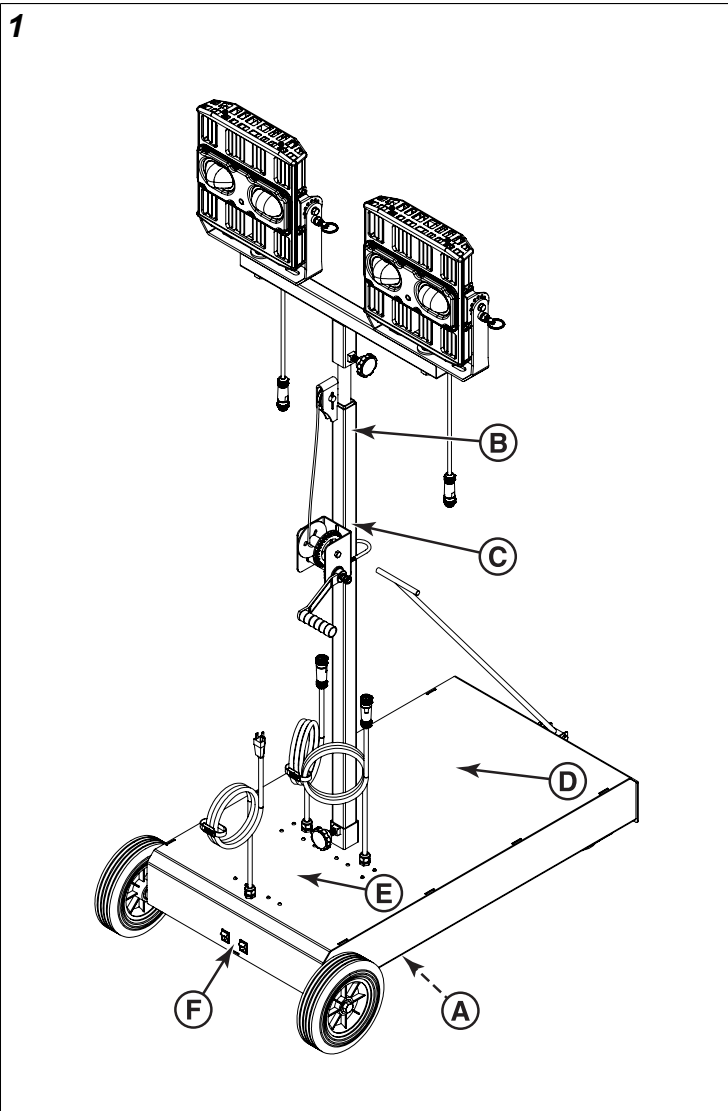
- Se DEBE reemplazar toda pieza que se compruebe que está defectuosa a raíz de una inspección, o cualquier pieza cuyo valor medido no satisfaga la norma o el límite.
- Siempre apriete los componentes con la torsión especificada. Las piezas sueltas pueden provocar daños en los equipos o causar que funcionen indebidamente.
- Se recomienda el uso de repuestos autorizados de Allmand®. La garantía no cubre daños ni problemas de rendimiento provocados por el uso de piezas que no sean los repuestos autorizados.
- Limpie toda la suciedad y los residuos acumulados del cuerpo del equipo y sus componentes antes de inspeccionarlo o de realizar procedimientos de mantenimiento preventivo o reparaciones. Operar los equipos con suciedad o residuos acumulados provocará el desgaste prematuro de los componentes del equipo.
- Saque todas las herramientas o piezas que pueda haber dejado caer en el interior del equipo para evitar un funcionamiento indebido del mismo.

Calcomanías de seguridad

Antes de operar su unidad, lea y comprenda las siguientes calcomanías de seguridad. Las precauciones, advertencias e instrucciones son para su seguridad. Para evitar lesiones corporales o daños a la unidad, comprenda y obedezca todas las calcomanías.

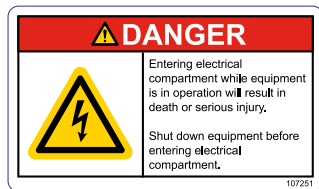
Evite que las calcomanías se ensucien o se rompan, y reemplácelas si se pierden o se dañan. Además, si es necesario reemplazar una pieza que tiene una calcomanía, asegúrese de pedir la pieza y la calcomanía al mismo tiempo.

Compare la figura 1 con las tablas a continuación.

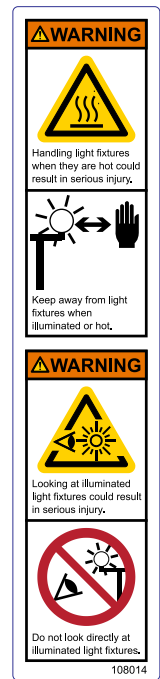


Modelos domésticos

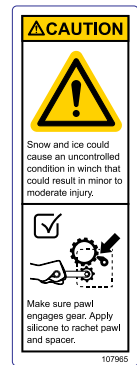
A PELIGRO
Peligro de electrocución
 Ingresar en el compartimento eléctrico mientras el equipo está en funcionamiento provocará lesiones graves o la muerte. Apague el equipo y lea el manual antes de ingresar en el compartimento eléctrico.
 N.º de pieza 107251



B ADVERTENCIA
Peligro de operación no segura.
 Mirar las luminarias encendidas podría provocar lesiones graves. Nunca mire directamente las luminarias iluminadas.
Peligro de quemadura.
 Manipular luminarias cuando están calientes podría provocar lesiones graves o la muerte. Siempre manténgase alejado de las luminarias cuando estén encendidas o calientes.
 N.º de pieza 108014



C PRECAUCIÓN
 La nieve y el hielo podrían causar una condición de pérdida de control en el cabrestante y provocar lesiones leves a moderadas.
 Siempre revise para asegurarse de que el trinquete se enganche en el engranaje y aplique silicona en el cabrestante según sea necesario.
 N.º de pieza 107965






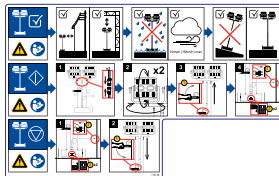
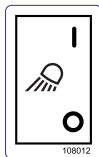
D Sin peldaños
 N.º de pieza 090147







Modelos internacionales

A PELIGRO
Peligro de electrocución.
 Ingresar en el compartimento eléctrico mientras el equipo está en funcionamiento provocará lesiones graves o la muerte. Apague el equipo y lea el manual antes de ingresar en el compartimento eléctrico.
 N.º de pieza 104480



<p>B</p>	<p>ADVERTENCIA</p> <p>Peligro de operación no segura.</p> <p>Mirar las luminarias encendidas podría provocar lesiones graves. Nunca mire directamente las luminarias iluminadas.</p> <p>Peligro de quemadura.</p> <p>Manipular luminarias cuando están calientes podría provocar lesiones graves o la muerte. Siempre manténgase alejado de las luminarias cuando estén encendidas o calientes.</p> <p>N.º de pieza 108011</p>	
<p>C</p>	<p>PRECAUCIÓN</p> <p>La nieve y el hielo podrían causar una condición de pérdida de control en el cabrestante y provocar lesiones leves a moderadas.</p> <p>Siempre revise para asegurarse de que el trinquete se enganche en el engranaje y aplique silicona en el cabrestante según sea necesario.</p> <p>N.º de pieza 107532</p>	
<p>D</p>	<p>Sin peldaños</p> <p>N.º de pieza 107522</p>	
<p>Todos los modelos</p>		
<p>E</p>	<p>Instrucciones de operación</p> <p>N.º de pieza 112146</p>	
<p>F</p>	<p>Encender/Apagar luz</p> <p>N.º de pieza 108012</p>	

Ícono	Significado
	Verificación de la unidad
	Operación de la unidad
	Apagado de la unidad
	Luz de trabajo
	Energía encendida
	Energía apagada

Características y controles

Las luces de trabajo portátiles LED dobles Port-A-Lite® PAL de Allmand® se diseñaron para usarse como una fuente de luz estacionaria. Pueden usarse en interiores en superficies secas y pueden usarse en exteriores en superficies secas y en condiciones climatológicas cuando no hay viento o precipitación.

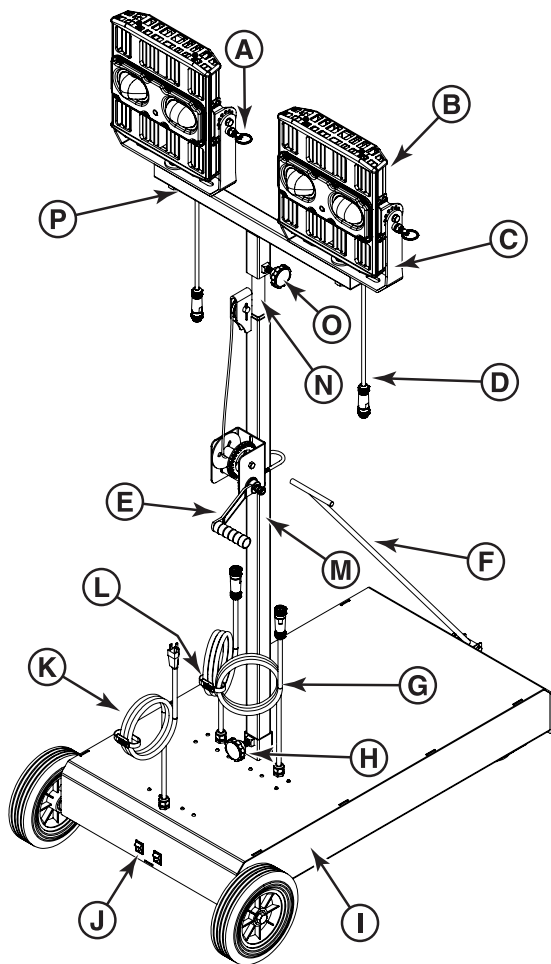
Las luces de trabajo portátiles LED dobles Port-A-Lite® PAL de Allmand® requieren de una fuente de alimentación externa y pueden enchufarse en un tomacorriente de pared o a un generador portátil.

Para identificar las características y controles de la máquina, compare la figura 2 con la tabla que se presenta a continuación.

Íconos de operación

La siguiente tabla contiene íconos de seguridad y de operación que se pueden encontrar en la unidad, junto con el significado de cada ícono.

2



Cómo preparar para la instalación

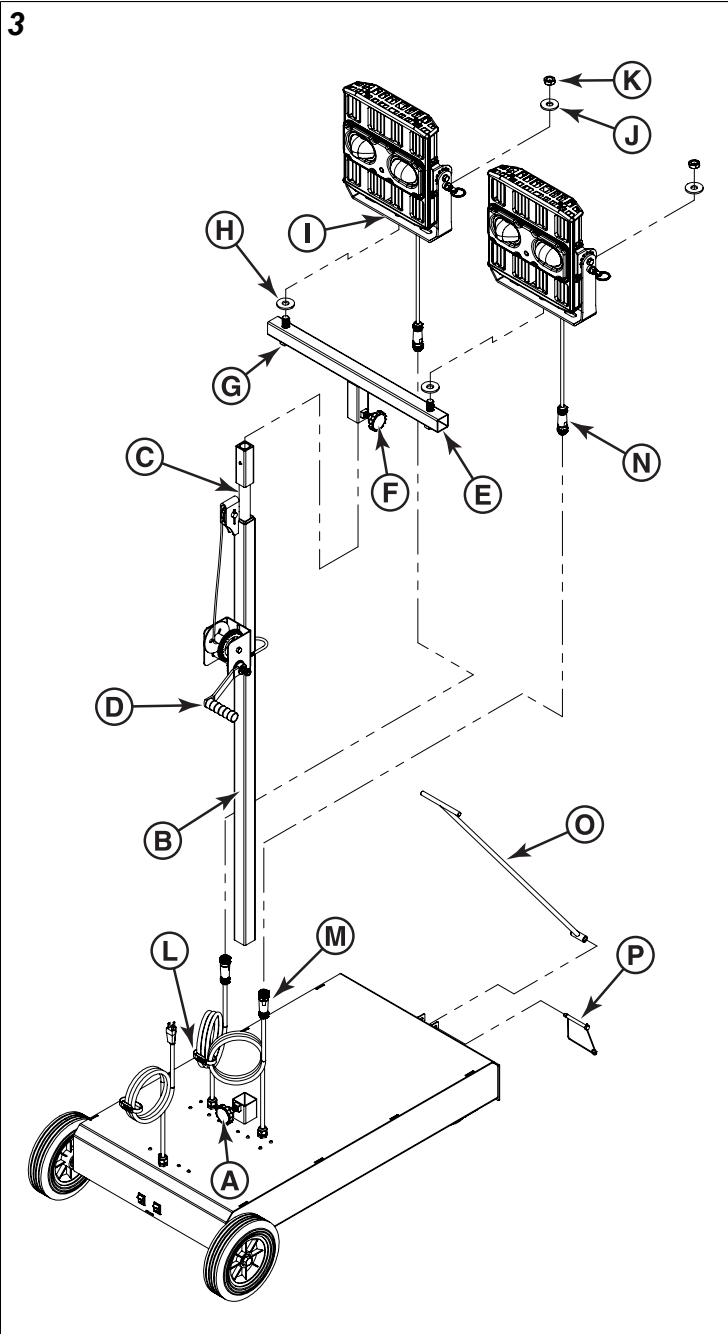
Allmand® Las luces de trabajo portátiles LED Port-A-Lite® PAL se envían en cajas independientes y requieren de montaje antes de su uso. Al recibir la unidad, retire cada parte de las cajas de envío e inspeccione las partes en busca de daños. Comuníquese con su distribuidor o a Allmand si se dañaron partes durante el envío.

Instrucciones de instalación

1. Afloje la perilla de enchufe del mástil (A, figura 3).
2. Instale el mástil exterior (B, figura 3) en el enchufe y apriete la perilla de enchufe del mástil.
3. Asegúrese de que el mástil interior (C, figura 3) esté completamente bajado. Si es necesario, gire el cabrestante (D) en sentido antihorario para bajar el mástil interior.
4. Instale la barra de luz (E, figura 3) sobre el mástil interior, seguido por la perilla de la barra de luz (F). Apriete la perilla de la barra de luz.
5. Instale un perno (G, figura 3) hacia arriba por los orificios en cada extremo de la barra de luz. Instale la arandela de plástico (H) en el perno, seguido por el orificio central de la horquilla de la luminaria (I), la arandela enchapada (J) y la contratuerca (K). Apriete la tuerca.
6. Retire la amarra de cable (L, figura 3) de los cables de la base (M).
7. Conecte los cables de la base a los cables de la luminaria (N, figura 3).
8. Conecte el mango para remolcar (O, figura 3) a la base con el pasador de horquilla (P).

Ref.	Descripción
A	Perno de bloqueo de la luminaria (2) (tuerca del mango de la luminaria en algunos modelos)
B	Luminaria LED (2)
C	Horquilla de la luminaria (2)
D	Cable de la luminaria (2)
E	Montaje del cabrestante
F	Mango para remolcar
G	Cable de la base (2)
H	Perilla de enchufe del mástil
I	Montaje de la base
J	Interruptor de alimentación (2)
K	Cable de alimentación
L	Amarra para cables
M	Mástil exterior
N	Mástil interior
O	Perilla de la barra de luces
P	Barra de luces

Instalación

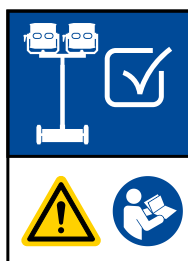


AVISO

Se recomienda el uso de repuestos autorizados de Allmand®. La garantía no cubre daños ni problemas de rendimiento provocados por el uso de piezas que no sean los repuestos autorizados.

1. Asegúrese de que una copia del Manual del operador se encuentre con la unidad.
2. Asegúrese de que pueda leer todas las calcomanías de seguridad y de que se encuentren en sus lugares correctos en la unidad. Vea **Calcomanías de seguridad** en la sección **Seguridad** de este manual.
3. Asegúrese de que la unidad opere de manera correcta. (Vea **Cómo operar la unidad** para obtener información detallada sobre los procedimientos de operación).
 - Asegúrese de que el mástil interior pueda elevarse y bajarse de manera adecuada con el cabrestante.
 - Asegúrese de que los herrajes de la luminaria LED estén apretados.
 - Asegúrese de que el cable de alimentación, los cables de la base y los cables de la luminaria no estén desgastados o dañados y de que los conectores no estén dañados.
 - Asegúrese de que la perilla de enchufe del mástil y la perilla de la barra de luz estén apretadas.
 - Asegúrese de que las ruedas estén en buen estado y de que rueden libremente.
4. Enchufe el cable de alimentación en una toma de pared o de un generador. Vea **Especificaciones** para obtener información detallada sobre los requisitos para la alimentación.
5. Coloque los interruptores de alimentación en la posición ENCENDIDO para asegurar de que las luminarias LED operen. Vea **Resolución de problemas** si las luminarias LED no encienden. Al terminar, cambie los interruptores de alimentación a la posición APAGADO y desconecte el cable de alimentación de la toma.

Consideraciones del lugar de trabajo



Antes de ajustar y operar la luz de trabajo, el operador debe determinar dónde colocarlo en el lugar de trabajo. El operador es responsable de garantizar que la luz de trabajo se ubique de manera segura y adecuada en el lugar de trabajo. Asegúrese de seguir las reglas o instrucciones para su lugar de trabajo, así como cualquier regla estatal, provincial o federal que pudiera aplicar.

Operación

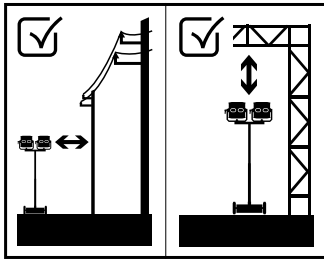
Cómo preparar la unidad para su uso



ADVERTENCIA

Operación insegura Peligro.

Operar la unidad con piezas faltantes, dañadas o desgastadas puede provocar la muerte o lesiones graves. Siempre reemplace oportunamente las piezas faltantes, dañadas o desgastadas. No opere esta unidad hasta que se hayan reemplazado todas las piezas faltantes, dañadas o desgastadas y después de verificar que opera de manera adecuada.



Obstrucciones aéreas

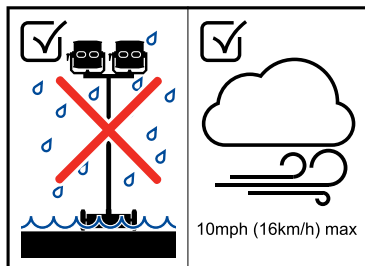
Siempre mantenga la unidad bien alejada de cables eléctricos aéreos. Asegúrese de que no haya obstrucciones aéreas donde planifica colocar la luz de trabajo portátil. Manténgase alejado de cualquier cable, cuerda u obstrucciones sueltas que pudieran enganchar el mástil o las luminarias LED. Cuando el mástil está completamente elevado, la luz de trabajo portátil mide 138 in (350,5 cm) desde el nivel del terreno hasta la parte superior de las luminarias LED.



PELIGRO

Peligro de electrocución.

El contacto con cables eléctricos aéreos provocará la muerte o lesiones graves. Siempre siga las reglas o instrucciones de su lugar de trabajo y las reglas estatales, provinciales o federales, para mantener una distancia segura de los cables aéreos.



Humedad y viento

La luz de trabajo portátil deberá colocarse en una superficie seca alejada de áreas que podrían mojarse.



ADVERTENCIA

Peligro de descarga.

Colocar una luz de trabajo portátil en un área húmeda o en agua provocará la muerte o lesiones graves. Siempre coloque la luz de trabajo en una superficie seca alejada de áreas donde agua pudiera fluir o acumularse.

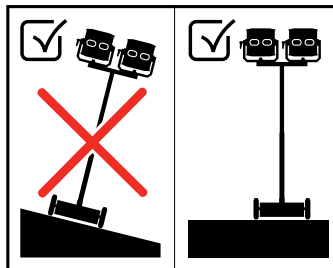
No instale la luz de trabajo en un área donde el viento supere las 10 mph (16 km/h).



ADVERTENCIA

Peligro de operación no segura.

Operar la luz de trabajo portátil con el mástil completamente elevado en viento que supere las 10 mph (16 km/h) puede ocasionar que se caiga a luz de trabajo y provocar la muerte o lesiones graves. Siempre baje completamente el mástil cuando se espere que el viento supere las 10 mph (16 km/h).



Superficie de trabajo

La luz de trabajo portátil deberá colocarse en una superficie firme y estable, capaz de soportar el peso total de la luz portátil. La superficie debe ser nivelada, y no debe exceder una pendiente de 5 % (2,8° de inclinación) en cualquier dirección.



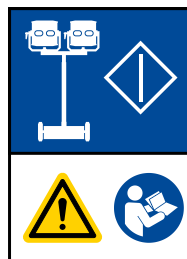
ADVERTENCIA

Peligro de vuelco.

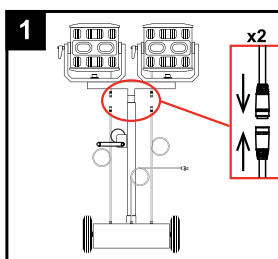
Colocar el remolque de la luz de trabajo portátil en un terreno blando o inestable podría causar el vuelco del remolque y provocar lesiones graves o la muerte. Siempre coloque la luz de trabajo en una superficie firme, nivelada y estable.

Cómo operar la unidad

Para operar la unidad

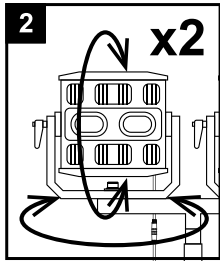


1. Conecte las luminarias LED.



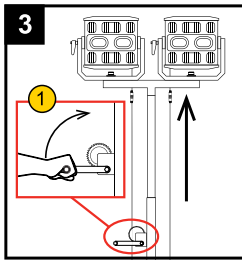
Aloje la amarra para cables. Conecte los cables de la base a los cables de la luminaria.

2. **Coloque las luminarias LED en su lugar.**



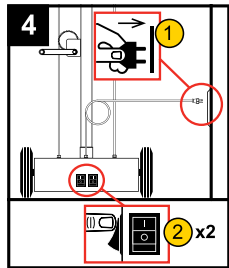
Las luminarias LED se pueden girar a la derecha e izquierda y hacia arriba y abajo.

3. **Eleve el mástil a la altura deseada.**



Gire el mango del cabrestante en sentido horario para elevar el mástil interior a la altura deseada.

4. **Conecte el cable de alimentación y encienda la luz de trabajo.**

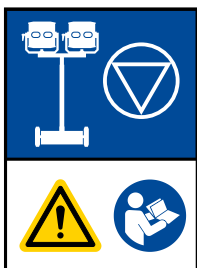


1. Conecte el cable de alimentación a una toma de pared o a un generador.

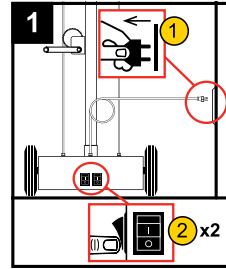
Nota: Si es necesario usar un cable de extensión, use uno que sea nominal para la corriente que requiere la luz de trabajo. Vea **Especificaciones** para obtener información detallada sobre los requisitos para la alimentación.

2. Mueva los interruptores de alimentación a la posición ENCENDIDO.

Para apagar la unidad

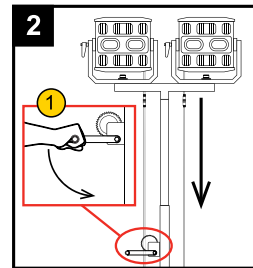


1. **Apague la luz de trabajo y desconecte el cable de alimentación.**



1. Mueva los interruptores de alimentación a la posición APAGADO.
2. Desconecte el cable de alimentación de la toma de pared o del generador.

2. **Baje el mástil.**



Gire el mango del cabrestante en sentido antihorario hasta que el mástil interior esté completamente bajado.

Mantenimiento

Mantenimiento general



ADVERTENCIA

Peligro de descarga.

El contacto con alto voltaje provocará la muerte o lesiones graves. Apague la unidad y desconecte el cable de alimentación antes de realizar mantenimiento.

Peligro de quemadura.

El contacto con las superficies calientes podría provocar la muerte o lesiones graves. Espere 10 minutos después de apagar la unidad antes de realizar mantenimiento.

- Asegúrese de que la unidad esté en buenas condiciones operacionales. Vea **Cómo preparar la unidad para su uso**.
- Asegúrese de que no haya componentes faltantes, desgastados o dañados.



ADVERTENCIA

No opere la unidad con componentes faltantes, desgastados o dañados. Se pueden producir lesiones graves o la muerte. Comuníquese con su distribuidor autorizado para realizar reparaciones o mantenimiento.

- Asegúrese de que todo el herraje en la unidad esté apretado.

- Limpie a unidad con un paño húmedo para retirar polvo, tierra y residuos.
- Ocasionalmente aplique una pequeña cantidad de grasa en las ruedas.

Ubicación de la placa de número de serie

La placa de número de serie para la luz de trabajo se encuentra en el extremo de la base, cerca del interruptor de alimentación.

Ubicación de la información sobre peso y alimentación

La información sobre el peso de la luz de trabajo se encuentra sobre la base cerca del mástil.

La información sobre los requisitos eléctricos para la luz de trabajo se encuentra sobre la base cerca del mástil y junto a la calcomanía del peso.

Resolución de problemas

Problema	Posible causa
No hay luz	1. La unidad no está enchufada. Enchufe la unidad en una fuente de alimentación.
	2. El interruptor de alimentación está en posición de apagado. Cambie el interruptor de alimentación a ENCENDIDO.
	3. El cable de la base no está conectado al cable de la luminaria. Conecte el cable de la base al cable de la luminaria.
	4. Falla de la unidad. Comuníquese con un distribuidor autorizado.

La sección

Dimensiones

Descripción	Ent.	Cm
Longitud total	49,4	125,4
Ancho total	41	104,1
Altura total (Completamente bajado)	90	228,6
Altura total (Completamente elevado)	138	350,5

Peso

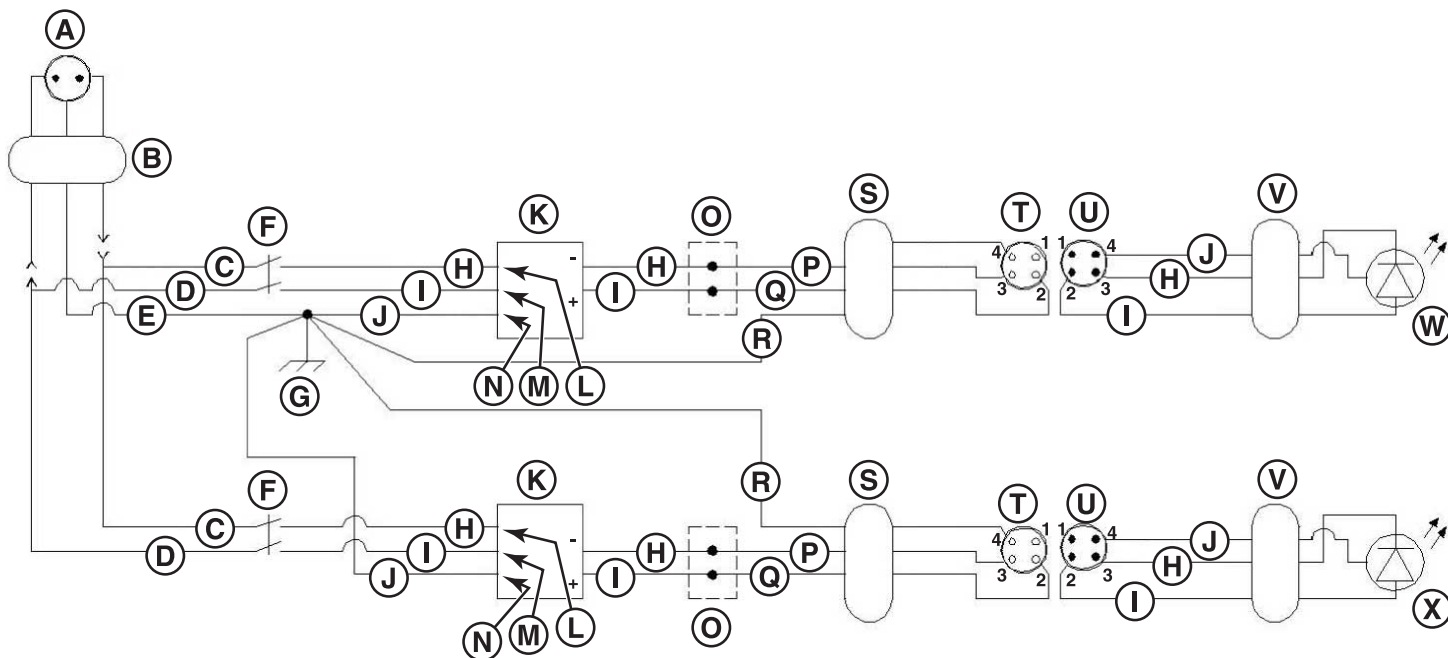
Descripción	Lb	Kg
Total	224	101,6
Base	153	69,4
Mástil	30	13,6
Barra de luces	7	3,2
Luminaria (cada una)	17	7,7

Requisitos de alimentación

Descripción	LED dobles PAL50	LED dobles PAL60
Frecuencia - Hercios	50	60
Voltios	220	120
Amperios	7	7

Diagramas de cableado

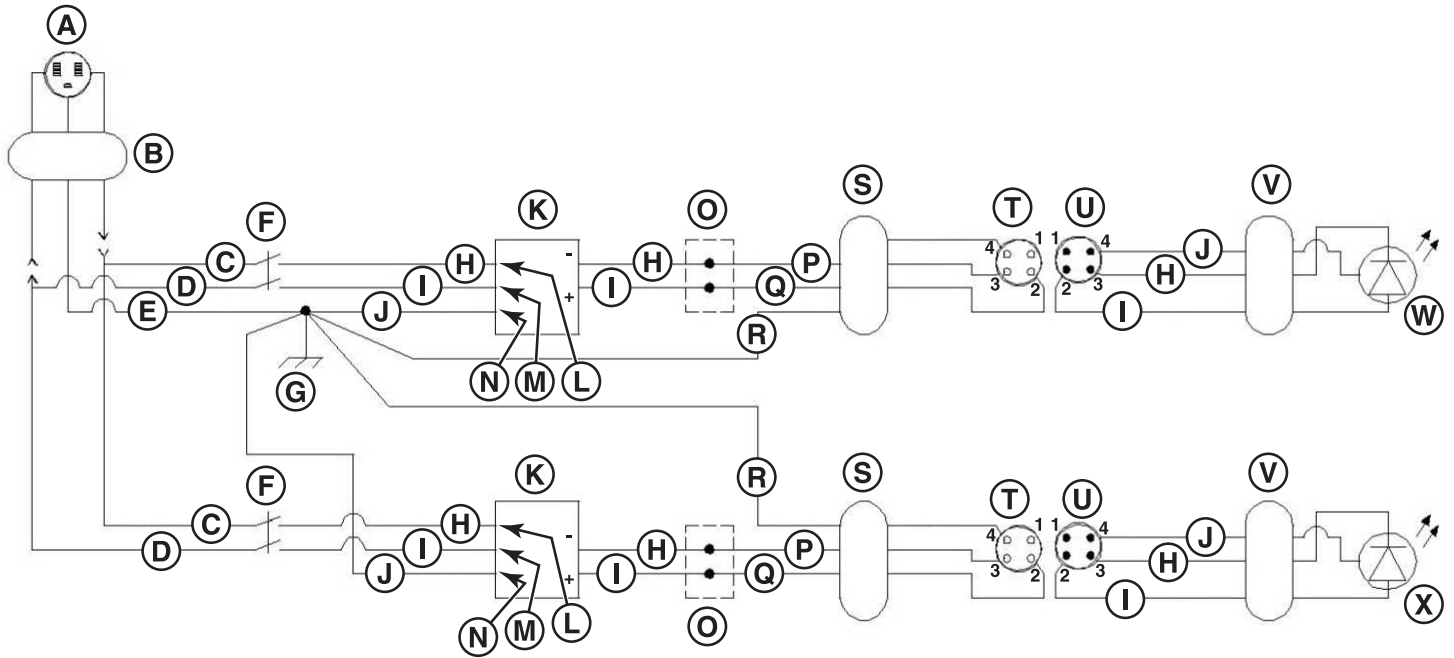
LED dobles PAL50



LED dobles PAL50

LED dobles PAL50	
A	Enchufe macho Schuko 16 amperios 250 V
B	Cable 14/3
C	Blanco - 14 AWG
D	Negro - 14 AWG
E	Verde - 14 AWG
F	Interruptor DPST 15 amperios
G	Conexión CA a tierra
H	Azul
I	Café
J	Verde c/franja amarilla
K	Fuente de alimentación LED
L	ACN
M	ACL
N	Conexión a tierra
O	Tira de terminales de 2 unidades
P	Negro
Q	Blanco
R	Verde
S	Cable 16/3
T	Conector rápido hembra para 4 clavijas
U	Conector rápido macho para 4 clavijas
V	Cable para LED
W	Luz LED n.º 1
X	Luz LED n.º 2

LED dobles PAL60



LED dobles PAL60

LED dobles PAL60	
A	Enchufe macho 120 V
B	Cable 14/3
C	Blanco - 14 AWG
D	Negro - 14 AWG
E	Verde - 14 AWG
F	Interruptor DPST 15 amperios
G	Conexión CA a tierra
H	Azul
I	Café
J	Verde c/franja amarilla
K	Fuente de alimentación LED
L	ACN
M	ACL
N	Conexión a tierra
O	Tira de terminales de 2 unidades
P	Negro
Q	Blanco
R	Verde
S	Cable 16/3
T	Conector rápido hembra para 4 clavijas
U	Conector rápido macho para 4 clavijas
V	Cable para LED
W	Luz LED n.º 1
X	Luz LED n.º 2

Produits couverts par le présent manuel

Les produits suivants sont couverts par le présent manuel :

PAL50 Dual LED, PAL60 Dual LED

Table des matières:

Introduction.....	23
Sécurité.....	23
Caractéristiques et commandes.....	26
Configurer.....	26
Utilisation.....	27
Entretien.....	30
Dépannage.....	30
Fiche technique.....	30
Schémas de câblage.....	31

Introduction

À propos de ce manuel

PRENEZ LE TEMPS DE LIRE ATTENTIVEMENT CE MANUEL

Ce manuel fournit les instructions nécessaires pour Allmand® PAL50 Dual LED, PAL60 Dual LED Portable Work Light.

L'information dans ce manuel est en vigueur au moment de l'impression. Allmand Bros Inc. peut changer le contenu sans préavis ni obligation.

Les images contenues dans ce manuel sont offertes aux fins d'illustration seulement et peuvent être différentes de votre modèle.

Toute référence dans ce manuel au côté droit et au côté gauche se détermine en regardant la remorque à partir de l'arrière.

Si vous êtes incertain de toute information contenue dans le manuel, contacter le service à la clientèle d'Allmand au 1-800-562-1373, ou nous contacter par l'entremise de notre site Web à www.allmand.com.

Conservez ces instructions originales comme référence future.

Sécurité

Définitions sur la sécurité

Pour votre sécurité et celle des autres, en plus de protéger la performance de l'équipement, suivre les précautions énumérées dans le manuel avant et pendant l'utilisation et pendant les procédures d'entretien périodiques.



Le symbole d'alerte de sécurité indique un risque de blessure corporelle.

DANGER

Ce symbole indique une situation dangereuse qui, si elle n'est pas évitée, causera la mort ou des blessures graves.

AVERTISSEMENT

Ce symbole indique une situation dangereuse qui, si elle n'est pas évitée, pourrait causer la mort ou des blessures graves.

ATTENTION

Ce symbole indique une situation dangereuse qui, si elle n'est pas évitée, pourrait causer des blessures mineures ou modérées.

AVIS

Informations considérées comme importantes, mais pas liées à des dangers.

Mesures de sécurité

La section suivante contient des mesures et des directives de sécurité générales qui doivent être suivies afin de réduire tout risque à la sécurité personnelle. Des mesures de sécurité particulières sont listées dans certaines procédures pertinentes. Lire, comprendre et observer toutes les mesures de sécurité avant de faire fonctionner ou d'effectuer des réparations ou de l'entretien.



DANGER

Risque d'électrocution

- Toujours placer la lampe de travail portable sur une surface sèche et à l'écart des endroits où l'eau peut s'écouler ou s'accumuler.
- Ne pas se tenir sur une surface mouillée ou dans l'eau lors du branchement de la lampe de travail portable à une source d'alimentation comme une prise murale ou une génératrice ou lors de l'actionnement de l'interrupteur de la lampe.
- Toujours vérifier s'il y a des câbles et des obstructions aériens avant de soulever ou d'abaisser le mât.
- Toujours suivre les règlements ou les directives de votre chantier, et les codes électriques d'État, provinciaux et nationaux pour maintenir une distance sûre avec les câbles en hauteur.
- Lorsque l'unité est branchée à une source d'alimentation, certains composants produisent une haute tension. Ne jamais tenter de faire l'entretien de composants électriques alors que la lampe de travail portable est branchée à une source d'alimentation.
- Ne pas faire fonctionner la lampe de travail portable si l'isolation du cordon d'alimentation ou autre câblage électrique est coupée ou usée, ou si des fils nus sont exposés. Réparer ou remplacer le câblage endommagé avant de le brancher à une source d'alimentation.

AVERTISSEMENT

Risque de fonctionnement non sécuritaire

- Ne jamais laisser quiconque utiliser l'équipement sans formation adéquate.
- Lire et comprendre ce manuel d'utilisation avant d'utiliser ou d'entretenir la lampe de travail afin de s'assurer que les pratiques exemplaires de sécurité et les procédures d'entretien sont suivies.
- Les enseignes et les autocollants de sécurité sont des rappels d'utiliser des techniques d'utilisation et d'entretien sûres.

AVERTISSEMENT

Risque lié aux modifications

- Ne jamais modifier l'équipement sans le consentement écrit du fabricant. Toute modification peut affecter le fonctionnement sécuritaire de l'équipement.

AVERTISSEMENT

Risque de renversement

- Ne pas lever, abaisser ou utiliser la lampe de travail à moins qu'elle soit placée sur une surface ferme.
- Ne jamais déplacer ou repositionner la lampe de travail alors que le mât est complètement déployé.

AVERTISSEMENT

Risque de brûlure

- Les luminaires deviennent très chauds pendant l'utilisation et le restent un certain temps après l'arrêt.
- Manipuler les composants chauds, comme les luminaires, avec des gants résistants à la chaleur.

AVIS

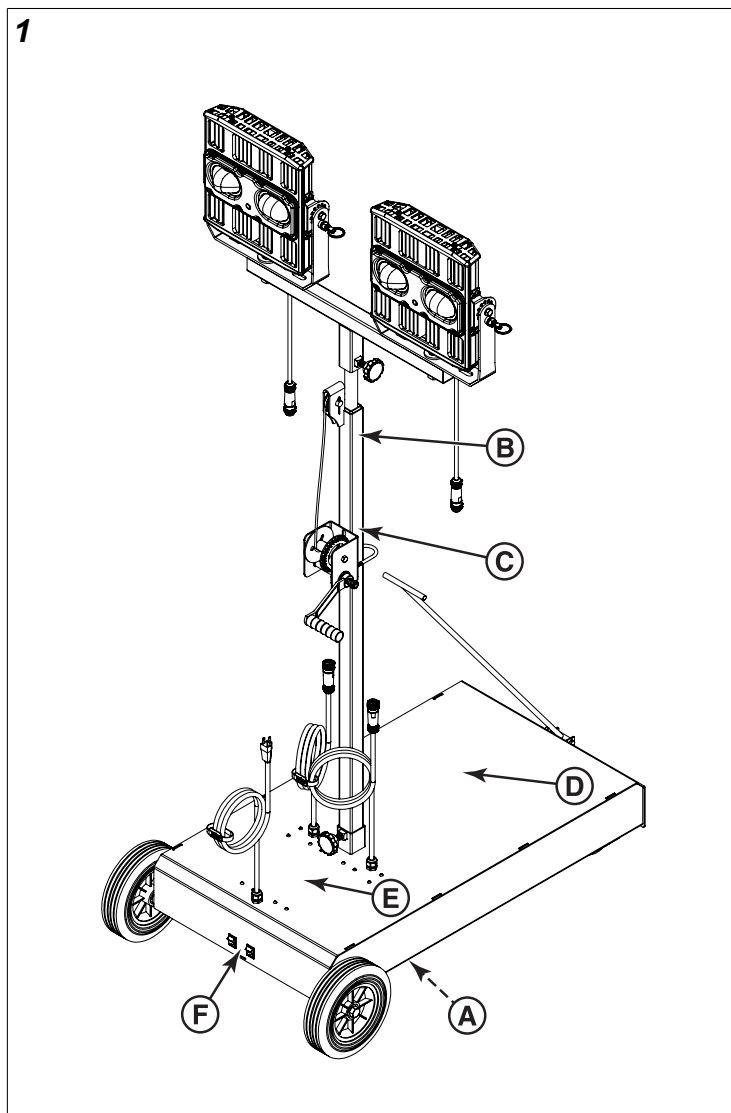
- Toute pièce déclarée défectueuse à la suite d'une inspection ou toute pièce dont la valeur mesurée ne satisfait pas à la norme ou à la limite DOIT être remplacée.
- Toujours serrer les composants au couple indiqué. Les pièces desserrées peuvent causer des dommages à l'équipement et le faire fonctionner incorrectement.
- L'utilisation de pièces de remplacement Allmand® autorisées est encouragée. La garantie ne couvre pas les dommages ou les problèmes de performance causés par l'utilisation de pièces non autorisées.
- Éliminer toute saleté et tout débris accumulés dans la carrosserie de l'équipement et de ses composants avant d'inspecter l'équipement ou d'effectuer un entretien ou des réparations. Faire fonctionner l'équipement avec de la saleté et des débris accumulés causera une usure prématurée des composants de l'équipement.
- Récupérer tous outils et toutes pièces qui peuvent être tombés à l'intérieur de l'équipement pour éviter le mauvais fonctionnement de ce dernier.

Autocollants de sécurité

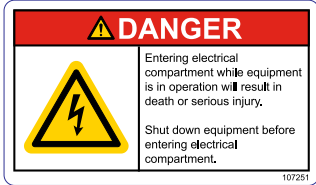
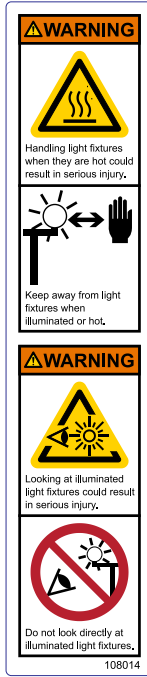
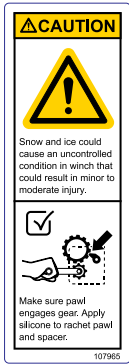

Avant de faire fonctionner votre appareil, bien lire et comprendre les autocollants de sécurité suivants. Les mises en garde, les avertissements et les directives sont là pour votre sécurité. Afin d'éviter des blessures corporelles ou des dommages à l'appareil, il faut comprendre et observer tous les autocollants.

Empêcher les autocollants de devenir sales ou de se déchirer et les remplacer s'ils sont perdus ou endommagés. De plus, si une pièce ayant un autocollant a besoin d'être remplacée, veiller à commander la pièce et l'autocollant en même temps.

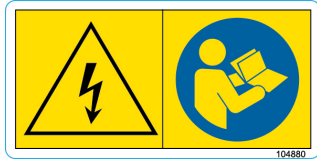



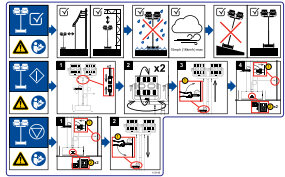
Comparer la Figure 1 avec les tables qui suivent.

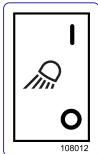


Modèles domestiques

<p>A</p>	<p>DANGER</p> <p>Risque d'électrocution.</p> <p>L'entrée dans le compartiment électrique tandis que l'équipement est en marche causera la mort ou des blessures graves. Éteindre l'équipement et lire le manuel avant d'entrer dans le compartiment électrique.</p> <p>N° de pièce 107251</p>	
<p>B</p>	<p>AVERTISSEMENT</p> <p>Risque de fonctionnement non sécuritaire.</p> <p>Regarder des luminaires allumés peut provoquer de graves lésions. Ne jamais regarder directement des luminaires allumés.</p> <p>Danger de brûlures.</p> <p>La manipulation des luminaires alors qu'ils sont chauds pourrait causer la mort ou des blessures graves. Toujours rester éloigné des lampes lorsqu'elles sont allumées ou chaudes.</p> <p>N° de pièce 108014</p>	
<p>C</p>	<p>ATTENTION</p> <p>La neige et la glace pourraient causer une condition incontrôlée du treuil qui pourrait entraîner une blessure mineure à moyenne.</p> <p>Toujours vérifier que le cliquet embraye dans l'engrenage et appliquer du silicone sur le treuil, au besoin.</p> <p>N° de pièce 107965</p>	
<p>D</p>	<p>Aucune étape</p> <p>N° de pièce 090147</p>	







Modèles internationaux

<p>A</p>	<p>DANGER</p> <p>Risque d'électrocution.</p> <p>L'entrée dans le compartiment électrique tandis que l'équipement est en marche causera la mort ou des blessures graves. Éteindre l'équipement et lire le manuel avant d'entrer dans le compartiment électrique.</p> <p>N° de pièce 104480</p>	
<p>B</p>	<p>AVERTISSEMENT</p> <p>Risque de fonctionnement non sécuritaire.</p> <p>Regarder des luminaires allumés peut provoquer de graves lésions. Ne jamais regarder directement des luminaires allumés.</p> <p>Danger de brûlures.</p> <p>La manipulation des luminaires alors qu'ils sont chauds pourrait causer la mort ou des blessures graves. Toujours rester éloigné des lampes lorsqu'elles sont allumées ou chaudes.</p> <p>N° de pièce 108011</p>	
<p>C</p>	<p>ATTENTION</p> <p>La neige et la glace pourraient causer une condition incontrôlée du treuil qui pourrait entraîner une blessure mineure à moyenne.</p> <p>Toujours vérifier que le cliquet embraye dans l'engrenage et appliquer du silicone sur le treuil, au besoin.</p> <p>N° de pièce 107532</p>	
<p>D</p>	<p>Aucune étape</p> <p>N° de pièce 107522</p>	
<p>Tous les modèles</p>		
<p>E</p>	<p>Instructions de fonctionnement</p> <p>N° de pièce 112146</p>	

F	Marche/arrêt de la lampe N° de pièce 108012	
---	--	---

Îcônes de fonctionnement

Le tableau ci-dessous contient des icônes de sécurité et de fonctionnement qui peuvent se retrouver sur l'unité, ainsi que la signification de chaque icône.

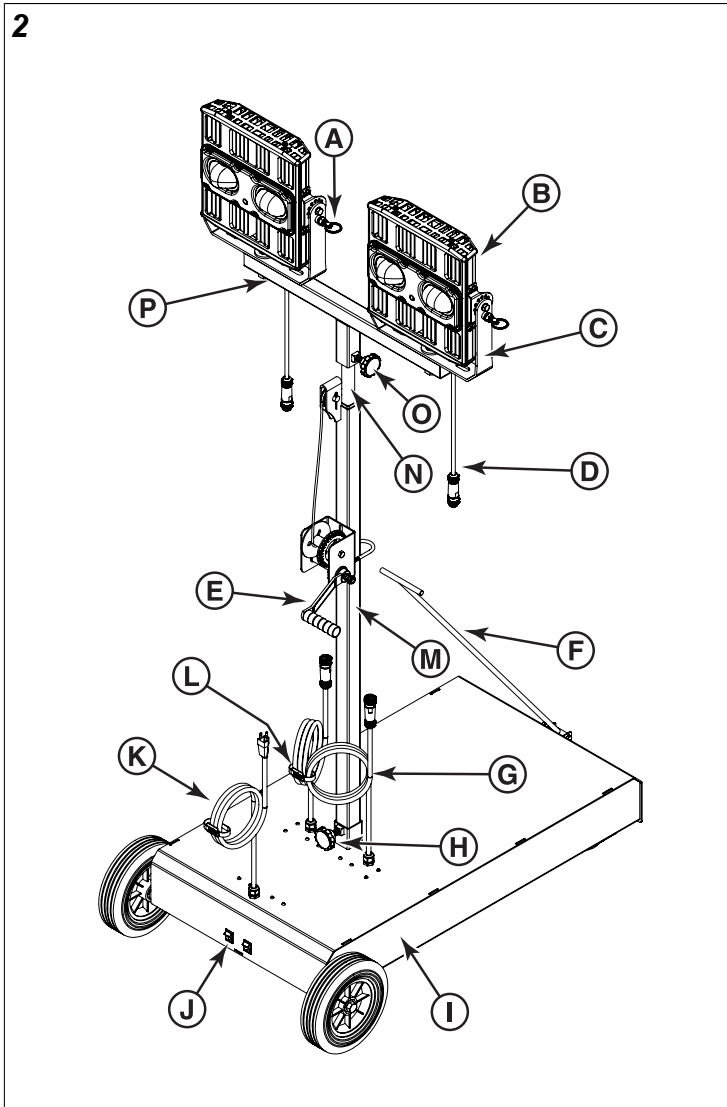
Îcône	Signification
	Vérification de l'unité
	Fonctionnement de l'unité
	Arrêt de l'appareil
	Éclairage de travail
	Sous tension
	Hors tension

Caractéristiques et commandes

Les lampes de travail portables Port-A-Lite® PAL double à DEL Allmand® sont conçues pour servir de source de lumière stationnaire. Elles peuvent être utilisées à l'intérieur sur des surfaces sèches et peuvent être utilisées à l'extérieur sur des surfaces sèches en l'absence de vent et de précipitations.

Les lampes de travail portables Port-A-Lite® PAL double à DEL Allmand® exigent une source d'alimentation externe et peuvent être branchées à une prise murale ou à une génératrice portable.

Identifier les caractéristiques et commandes de la machine en comparant la Figure 2 à la table suivante.



Réf.	Description
A	Goupille de verrouillage du luminaire (2) (Écrou de poignée de luminaire sur certains modèles)
B	Luminaire à DEL (2)
C	Chape de luminaire (2)
D	Câble de luminaire (2)
E	Ensemble de treuil
F	Poignée de traction
G	Câble de la base (2)
H	Bouton de la douille de mât
I	Ensemble de la base
J	Interrupteur d'alimentation (2)
K	Cordon d'alimentation
L	Attache-câbles
M	Mât extérieur
N	Mât intérieur
O	Bouton de la barre de lumières
P	Barre de lumières

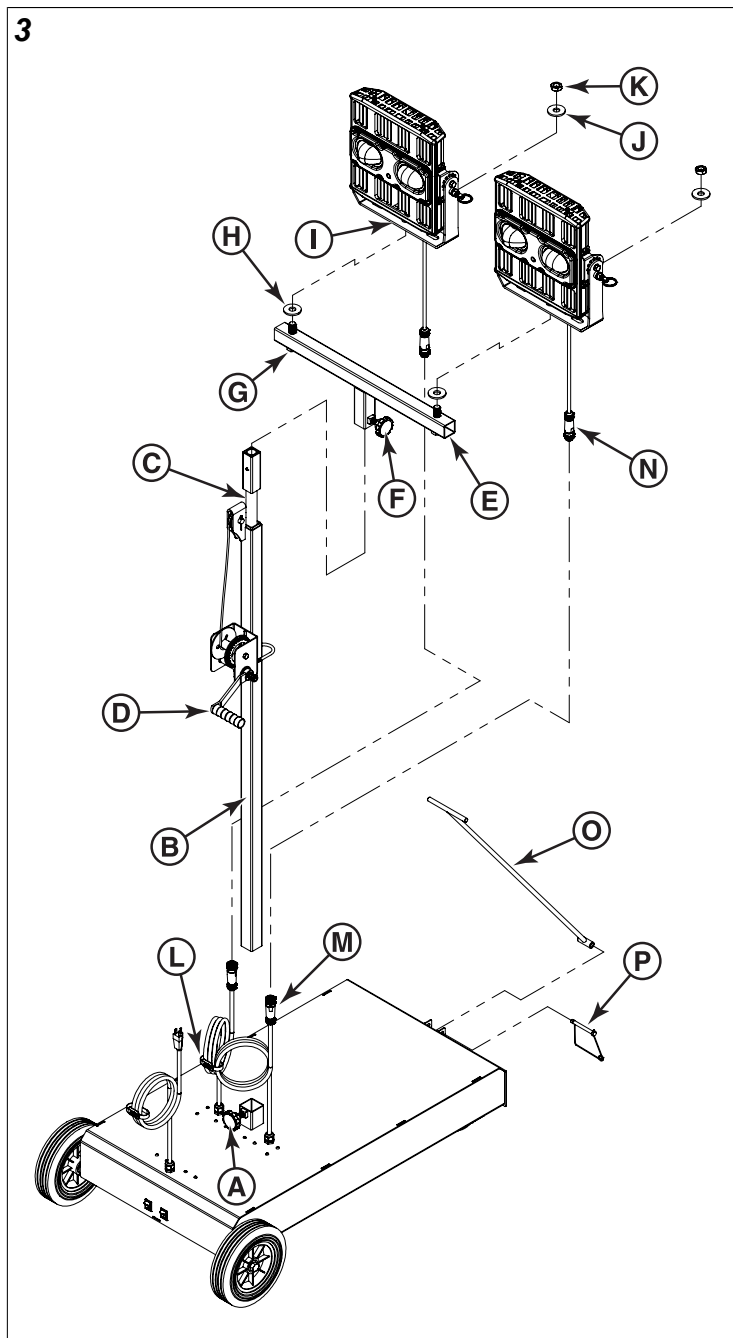
Configurer

Préparation pour l'assemblage

Les lampes de travail portables Port-A-Lite® PAL à LED Allmand® sont livrées en plusieurs boîtes et exigent l'assemblage avant l'utilisation. À la réception de l'unité, retirer chaque pièce de son emballage et inspecter les pièces pour des signes de dommages. Communiquer avec votre détaillant ou Allmand si des pièces ont été endommagées durant le transport.

Instructions d'assemblage

1. Desserrer le bouton de la douille du mât (A, Figure 3).
2. Installer le mât extérieur (B, Figure 3) dans la douille et serrer le bouton de la douille de mât.
3. S'assurer que le mât intérieur (C, Figure 3) est complètement abaissé. Au besoin, tourner le treuil (D) dans le sens antihoraire afin d'abaisser le mât intérieur.
4. Poser la barre de lumières (E, Figure 3) sur le mât intérieur, suivie du bouton de la barre de lumières (F). Serrer le bouton de la barre de lumières.
5. Poser un boulon (G, Figure 3) à travers les trous à chaque extrémité de la barre de lumières. Poser la rondelle de plastique (H) sur le boulon suivie du trou central de la chape du luminaire (I), de la rondelle plaquée (J) et du contre-écrou (K). Serrer l'écrou.
6. Enlever l'attache-câble (L, Figure 3) des câbles de la base (M).
7. Brancher les câbles de la base aux câbles du luminaire (N, Figure 3).
8. Attacher la poignée de traction (O, Figure 3) sur la base à l'aide de l'axe à épaulement (P).



Utilisation

Préparation de l'unité pour l'utilisation



AVERTISSEMENT

Utilisation dangereuse Danger.

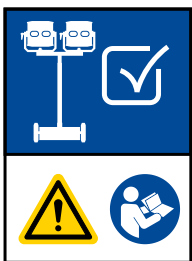
Faire fonctionner l'unité avec des pièces usées, endommagées ou manquantes peut causer la mort ou des blessures graves. Toujours remplacer promptement toutes pièces usées, endommagées ou manquantes. Ne pas faire fonctionner cette unité avant que les pièces usées, endommagées ou manquantes aient été remplacées, et que le bon fonctionnement de l'unité ait été vérifié.

AVIS

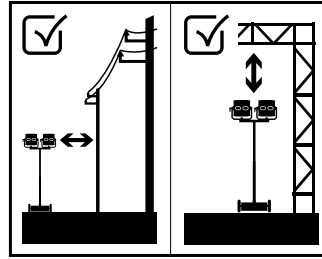
L'utilisation de pièces de remplacement Allmand® autorisées est encouragée. La garantie ne couvre pas les dommages ou les problèmes de performance causés par l'utilisation de pièces de remplacement non autorisées.

1. S'assurer qu'un exemplaire du manuel d'utilisation accompagne l'unité.
2. S'assurer de pouvoir lire toutes les étiquettes de sécurité et qu'elles sont placées aux bons endroits sur l'unité. Consulter **Autocollants de sécurité** dans la section **Sécurité** de ce manuel.
3. S'assurer que l'unité fonctionne correctement. (Consulter **Fonctionnement de l'unité** pour de l'information détaillée sur les procédures d'utilisation.)
 - S'assurer que le mât intérieur peut être levé et abaissé correctement à l'aide du treuil.
 - S'assurer que la quincaillerie du luminaire à DEL est bien serrée.
 - S'assurer que le cordon d'alimentation, les câbles de la base et les câbles du luminaire ne sont pas effilochés ou endommagés et que les connecteurs sont en bon état.
 - S'assurer que le bouton de la douille du mât et celui de la barre de lumières sont bien serrés.
 - S'assurer que les roues sont en bon état et qu'elles peuvent tourner librement.
4. Brancher le cordon d'alimentation à une prise de courant murale ou à une génératrice. Consulter **Fiche technique** pour de l'information détaillée sur l'alimentation électrique.
5. Mettre les interrupteurs à la position MARCHE afin de s'assurer que les luminaires à DEL fonctionnent. Consulter **Dépannage** si les luminaires à DEL ne s'allument pas. Après avoir terminé, mettre les interrupteurs à la position ARRÊT et débrancher le cordon d'alimentation de la prise de courant.

Considérations du chantier



Avant d'installer et de faire fonctionner la lampe de travail, l'opérateur doit déterminer son emplacement sur le chantier. L'opérateur a la responsabilité de s'assurer que la lampe de travail est positionnée correctement et de façon sécuritaire sur le chantier. S'assurer de respecter les règles et les instructions pour votre chantier, ainsi que les règlements d'État, provinciaux et fédéraux qui peuvent s'appliquer.



Obstructions en hauteur

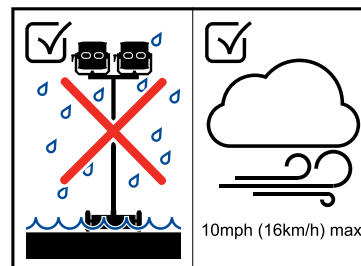
Toujours rester bien à l'écart de toutes lignes électriques aériennes. S'assurer qu'il n'y a aucune obstruction aérienne à l'endroit où l'installation des lampes de travail portables est prévue. Rester à l'écart de câbles, de cordes et d'obstructions qui pourraient entraver le mât ou les luminaires à DEL. Lorsque le mât est complètement levé, les lampes de travail s'élèvent à 138 pouces (350,5 cm) du sol au dessus des luminaires à DEL.



DANGER

Risque d'électrocution.

Le contact avec des fils électriques au-dessus de nos têtes causera la mort ou des blessures graves. Toujours observer les règlements ou les directives de votre chantier, ainsi que les règlements d'État, provinciaux et fédéraux afin de maintenir une distance sûre des fils aériens.



Humidité et vent

La lampe de travail portable doit être placée sur une surface sèche à l'écart des zones qui peuvent être mouillées.



AVERTISSEMENT

Risque d'électrocution.

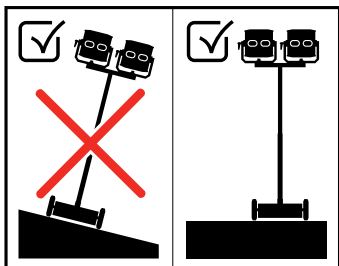
Placer une lampe de travail sur une surface mouillée ou dans l'eau peut causer la mort ou des blessures graves. Toujours placer la lampe de travail sur une surface sèche à l'écart des endroits où l'eau peut s'écouler ou s'accumuler.

Ne pas placer la lampe de travail à un endroit où la vitesse du vent peut dépasser 10 mi/h (16 km/h).

AVERTISSEMENT

Risque de fonctionnement non sécuritaire.

L'utilisation de la lampe de travail avec le mât complètement levé dans un vent dépassant 10 mi/h (16 km/h) peut causer le renversement de la lampe et entraîner la mort ou des blessures graves. Toujours abaisser le mât lorsque les vents dépassent 10 mi/h (16 km/h).



Surface de travail

La lampe de travail portable doit être placée sur une surface ferme et stable capable de supporter le poids total de la lampe de travail. La surface doit être de niveau, et ne doit pas dépasser une pente de 5 % (inclinaison de 2,8°) dans toutes les directions.

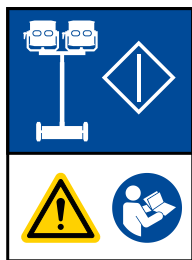
AVERTISSEMENT

Danger de renversement.

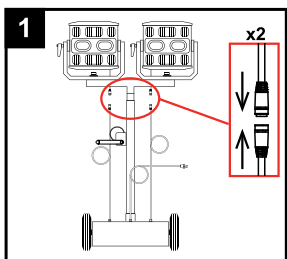
Le positionnement de la lampe de travail portable sur du sol mou ou instable peut entraîner le renversement de la lampe de travail et causer la mort ou des blessures graves. Toujours placer la lampe de travail sur une surface ferme, de niveau et stable.

Fonctionnement de l'unité

Pour faire fonctionner l'unité

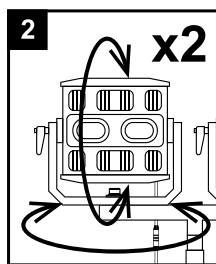


1. Brancher les luminaires à DEL.



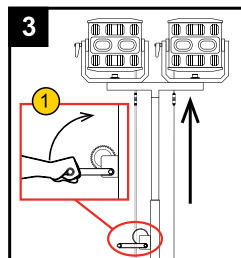
Desserrer l'attache-câbles. Brancher les câbles de la base aux câbles du luminaire.

2. Positionner les luminaires à DEL.



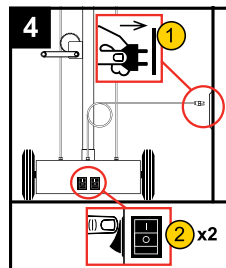
Les luminaires à DEL peuvent pivoter vers la gauche et la droite, et vers le haut et le bas.

3. Lever le mât à la hauteur désirée.



Tourner la manivelle du treuil dans le sens horaire pour lever le mât intérieur à la hauteur désirée.

4. Brancher le cordon d'alimentation et allumer la lampe de travail.

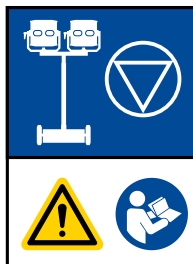


1. Brancher le cordon d'alimentation à une prise murale ou à une génératrice.

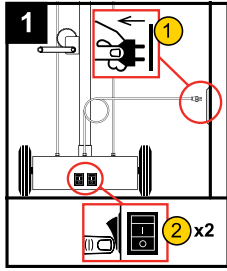
Remarque : Si une rallonge est requise, utiliser une rallonge cotée pour le courant requis par la lampe de travail. Consulter **Fiche technique** pour de l'information détaillée sur l'alimentation électrique.

2. Mettre les interrupteurs d'alimentation à la position MARCHE.

Pour éteindre l'unité

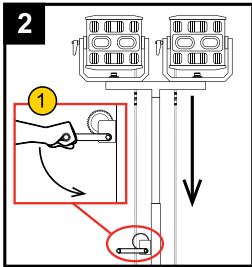


1. Éteindre la lampe de travail et débrancher le cordon d'alimentation.



1. Mettre les interrupteurs d'alimentation à la position ARRÊT.
2. Débrancher le cordon d'alimentation de la prise murale ou de la génératrice.

2. Abaisser le mât.



Tourner la manivelle du treuil dans le sens antihoraire jusqu'à ce que le mât intérieur soit complètement abaissé.

Entretien

Entretien général



AVERTISSEMENT
risque d'électrocution.

Le contact avec des composants à haute tension peut causer la mort ou des blessures graves. Éteindre l'unité et débrancher le cordon d'alimentation avant de faire l'entretien.

Risque de brûlure.

Le contact avec les surfaces chaudes peut causer la mort ou des blessures graves. Après avoir éteint l'unité, attendre 10 minutes avant de commencer l'entretien.

- S'assurer que l'unité est en bon état de fonctionnement. Consulter **Préparation de l'unité pour l'utilisation**.
- S'assurer qu'aucun composant n'est manquant, usé ou endommagé.



AVERTISSEMENT

Ne pas utiliser l'unité avec des composants manquants, usés ou endommagés. Risque de mort ou de blessures graves. Contacter votre concessionnaire agréé pour l'entretien.

- S'assurer que toute la quincaillerie de l'unité est bien serrée.

- Essuyer l'unité avec un chiffon humide afin d'éliminer la poussière, la saleté et les débris.
- À l'occasion, appliquer une petite quantité de graisse au moyeux des roues.

Emplacement de la plaque de numéro de série

La plaque du numéro de série de la lampe de travail se trouve à l'extrémité de la base près de l'Interrupteur d'alimentation.

Emplacement de l'information de poids et d'alimentation

L'information sur le poids de la lampe de travail se trouve sur le dessus de la base, près du mât.

L'information sur les caractéristiques électriques de la lampe de travail se trouve à côté de l'autocollant du poids sur le dessus de la base, près du mât.

Dépannage

Problème	Cause possible
Pas de lumière	1. L'unité n'est pas branchée. Brancher l'unité dans une source d'alimentation.
	2. L'Interrupteur d'alimentation est à ARRÊT. Placez l'interrupteur d'alimentation à MARCHE.
	3. Le câble de la base n'est pas connecté à celui du luminaire. Brancher le câble de la base à celui du luminaire.
	4. Dysfonction de l'unité. Contacter un concessionnaire autorisé.

Fiche technique

Dimensions

Description	Po	Cm
Longueur totale	49,4	125,4
Largeur totale	41	104,1
Hauteur totale (complètement abaissée)	90	228,6
Hauteur totale (complètement levée)	138	350,5

Poids

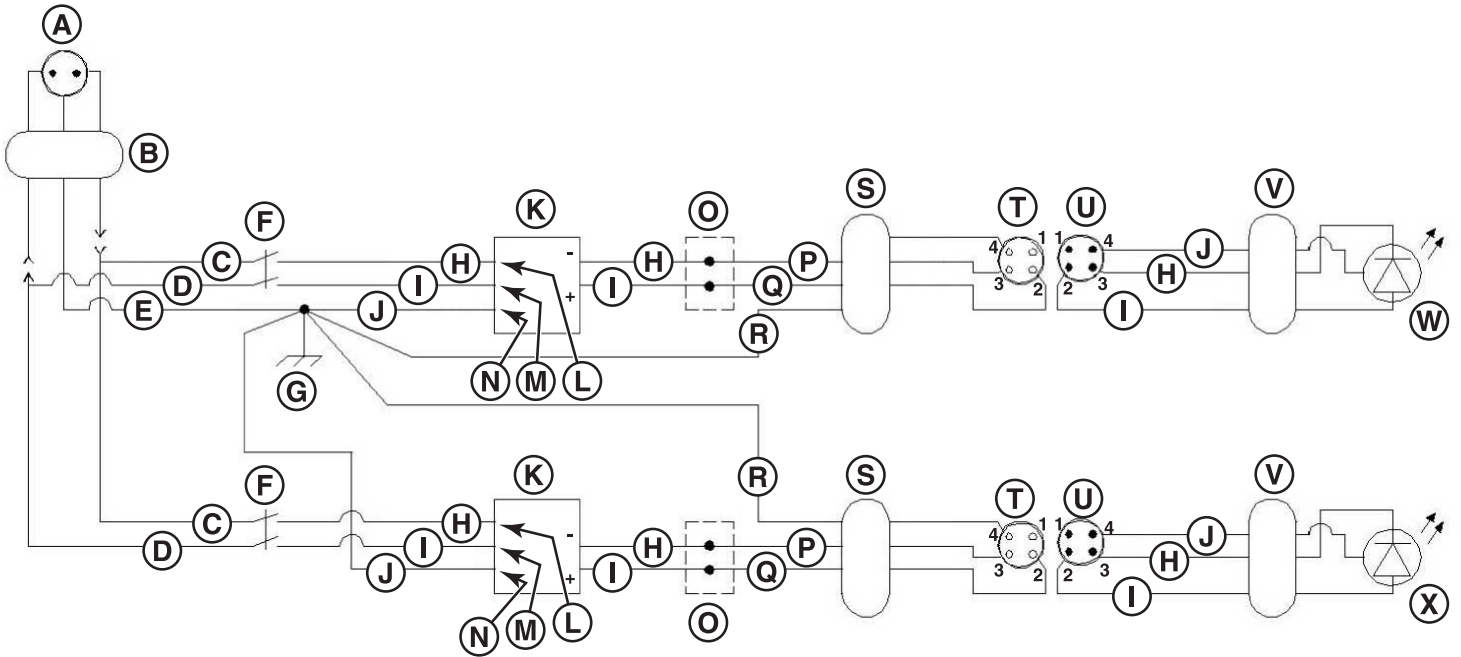
Description	Lb	Kg
Ensemble	224	101,6
Base	153	69,4
Mât	30	13,6
Barre de lumières	7	3,2
Luminaire (chacun)	17	7,7

Alimentation

Description	PAL50 double à DEL	PAL60 double à DEL
Fréquence - Hertz	50	60
Volts	220	120
Ampères	7	7

Schémas de câblage

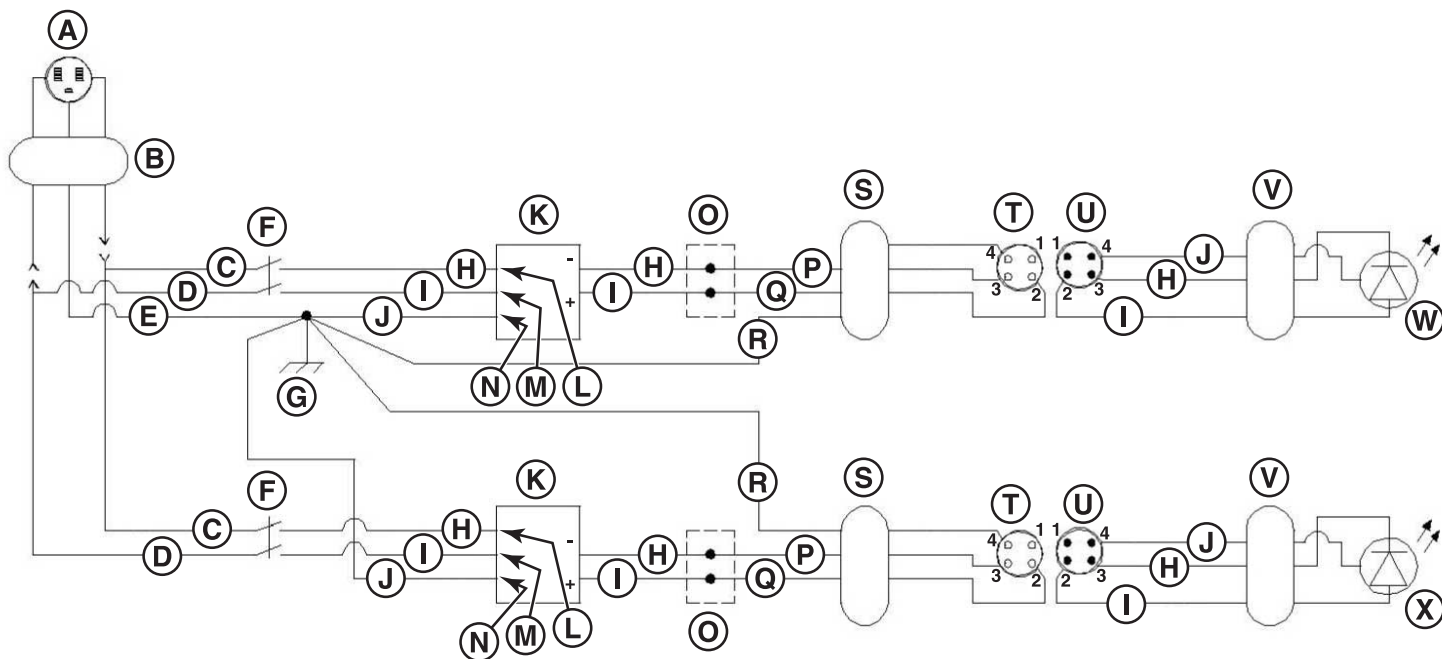
PAL50 double à DEL



PAL50 double à DEL

PAL50 double à DEL	
A	Fiche mâle Schuko de 16 A, 250 V
B	Cordon 14/3
C	Blanc – Cal. 14 AWG
D	Noir – Cal. 14 AWG
E	Vert – Cal. 14 AWG
F	Commutateur DPST de 15 A
G	Mise à la terre CA
H	Bleu
I	Brun
J	Vert avec ligne jaune
K	Excitateur de DEL
L	CA neutre (ACN)
M	CA sous tension (ACL)
N	Mise à la terre
O	Bornier double
P	Noir
Q	Blanc
R	Vert
S	Cordon 16/3
T	Connecteur rapide femelle à 4 broches
U	Connecteur rapide mâle à 4 broches
V	Cordon de DEL
W	Luminaire à DEL n° 1
X	Luminaire à DEL n° 2

PAL60 double à DEL



PAL60 double à DEL

PAL60 double à DEL	
A	Fiche mâle 120 V
B	Cordon 14/3
C	Blanc – Cal. 14 AWG
D	Noir – Cal. 14 AWG
E	Vert – Cal. 14 AWG
F	Commutateur DPST de 15 A
G	Mise à la terre CA
H	Bleu
I	Brun
J	Vert avec ligne jaune
K	Excitateur de DEL
L	CA neutre (ACN)
M	CA sous tension (ACL)
N	Mise à la terre
O	Bornier double
P	Noir
Q	Blanc
R	Vert
S	Cordon 16/3
T	Connecteur rapide femelle à 4 broches
U	Connecteur rapide mâle à 4 broches
V	Cordon de DEL
W	Luminaire à DEL n° 1
X	Luminaire à DEL n° 2

