



(en) Parts Manual
NIGHT-LITE™ GR-SERIES
Air Cooled Diesel



TABLE OF CONTENTS

1.0 TRAILER BASE PARTS

Axle and Wheels	(1.1)
Fenders	(1.2)
Tongue	(1.3)
Tongue Coupler Options	(1.4)
Outriggers	(1.5)
Enclosure Base Parts I	(1.6)
Enclosure Base Parts II	(1.7)
Enclosure Install Group	(1.8)
Enclosure Trim Parts	(1.9)
Lift Bow	(1.10)
Manual Canister	(1.11)

2.0 TOWER GROUP

Tower Pedestal	(2.1)
Tower Section 1	(2.2)
Tower Section 2	(2.3)
Tower Section 3	(2.4)
Tower Round Section and Light Bar	(2.5)

3.0 ELECTRICAL AND LIGHTING GROUP

Control Box Install Group	(3.1)
Control Box Interior and Weather Shields	(3.2)
Control Box Deep Sea Controller and Light Switches	(3.3)
Control Box (60Hz) Main Breaker and GFCI Group	(3.4)
Control Box (60Hz) Main Breaker and Twistlock Group	(3.5)
Control Box (50Hz) Main Breaker and Schuko Group	(3.6)
Teledyne Tower Cord	(3.7)
Philatron Tower Cord	(3.8)
350W LED Lighting	(3.9)

NIGHT-LITE™ GR-SERIES

TABLE OF CONTENTS

3.0 ELECTRICAL AND LIGHTING GROUP (CONTINUED)

350W LED Light Diffuser	(3.10)
250W LED Lighting	(3.11)
250W LED Light Diffuser	(3.12)
Trailer Lighting	(3.13)
Tail Light Hole Covers	(3.14)

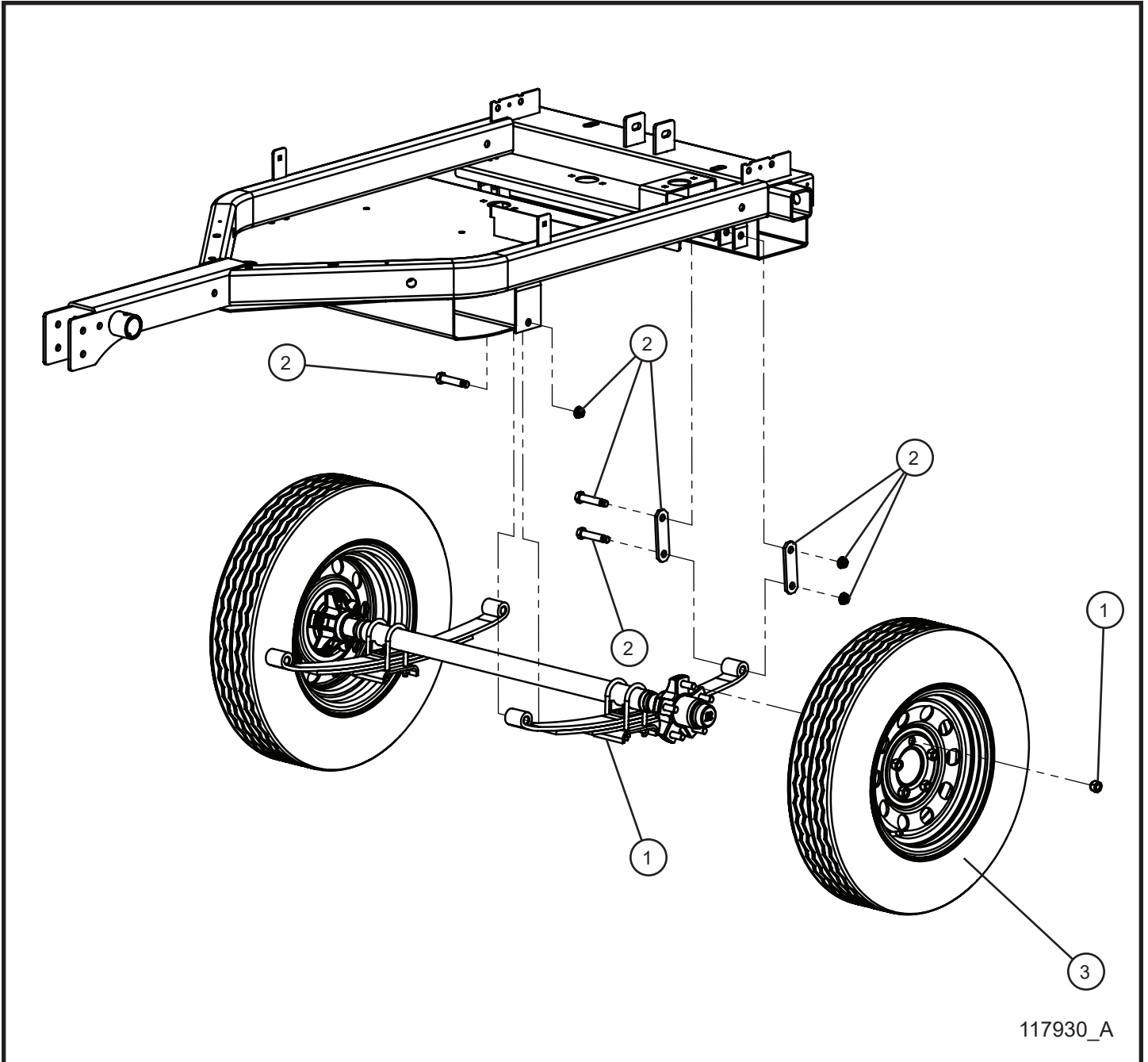
4.0 ENGINE AND GENERATOR GROUP

Yanmar L70W Air-Cooled Diesel Engine	(4.1)
Yanmar L70N (Int'l) Air-Cooled Diesel Engine	(4.2)
Engine Cooling Fan and E-Stop Button I	(4.3)
Engine Cooling Fan and E-Stop Button II	(4.4)
Engine Air Vents (Old Cooling Fan)	(4.5)
Linz 4.3kW 60Hz Generator	(4.6)
Linz 3.5kW 50Hz Generator	(4.7)
Fuel Tank and Fuel Lines	(4.8)
Battery Group	(4.9)

5.0 DECALS

Right Side Decals	(5.1)
Left Side English and French Decals	(5.2)
Left Side International Wordless Decals	(5.3)
Front Side English and French Decals	(5.4)
Front Side International Wordless Decals	(5.5)
Rear Side English and French Decals	(5.6)
Rear Side International Wordless Decals	(5.7)
Top View English and French Decals	(5.8)
Top View International Wordless Decals	(5.9)
Door Interior English and French Decals	(5.10)
Door Interior International Wordless Decals	(5.11)

1.1 - Axle and Wheels



117930_A

NIGHT-LITE™ GR-SERIES

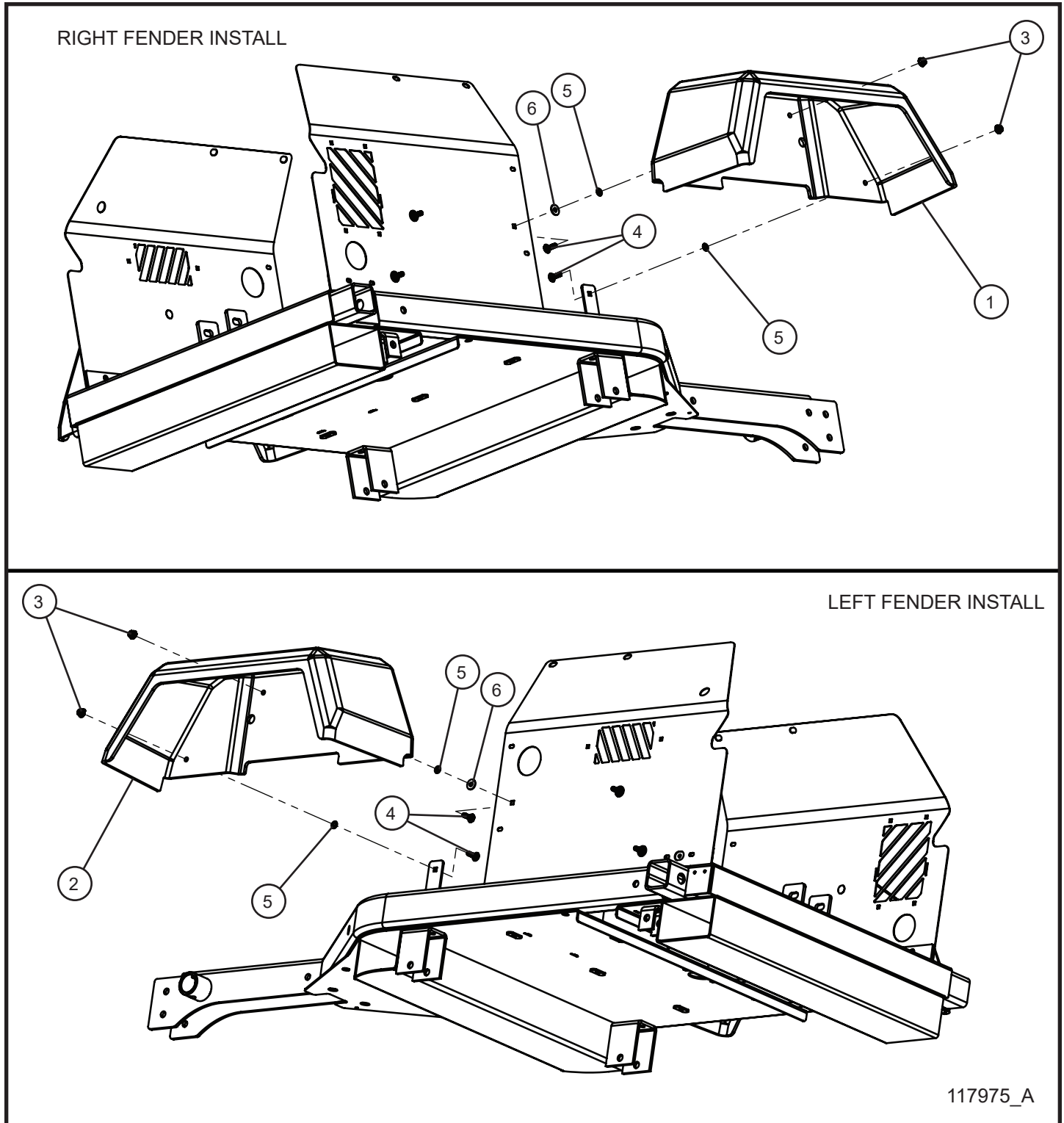
SN 25-000001 and UP

1.1 - Axle and Wheels

Item	Part No.	Part Description	Qty.
1	116983	NIGHT-LITE GR-SERIES AXLE	1
2	117120	SINGLE AXLE SUSPENSION KIT	1
3	112801	13" RADIAL WHEEL/TIRE ASSEMBLY	2

*NS - NOT SHOWN

1.2 - Fenders



NIGHT-LITE™ GR-SERIES

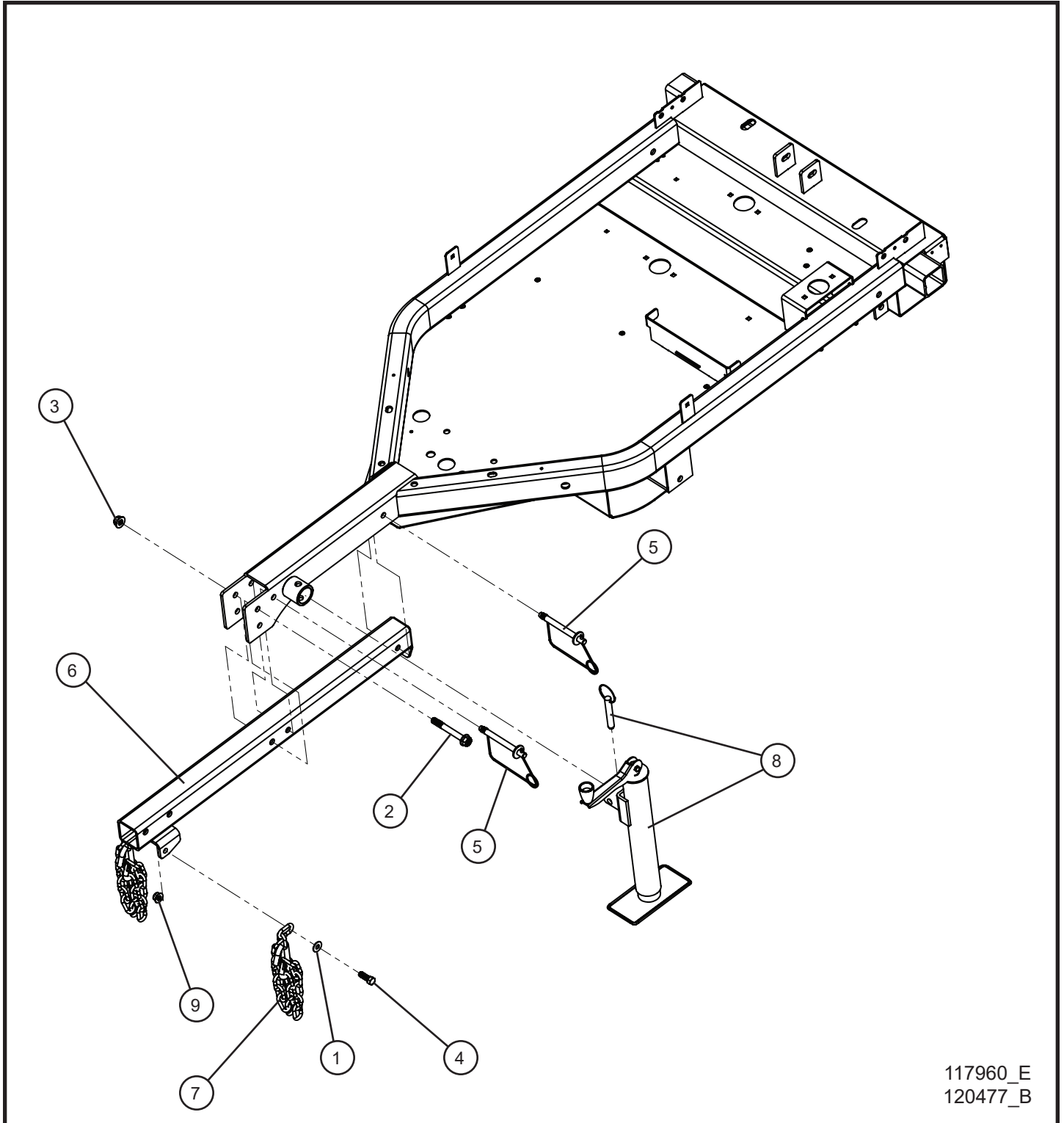
SN 25-000001 and UP

1.2 - Fenders

Item	Part No.	Part Description	Qty.
1	118337	13 INCH RIGHT FENDER NL GR-SERIES	1
2	118338	13 INCH LEFT FENDER NL GR-SERIES	1
3	057006	5/16-18 SERRATED FLANGE NUT	8
4	053020	5/16-18 x 1 CARRIAGE BOLT	8
5	045217	5/16 PUSH NUT	8
6	047010	5/16 FLAT WASHER	6

*NS - NOT SHOWN

1.3 - Tongue



117960_E
120477_B

NIGHT-LITE™ GR-SERIES

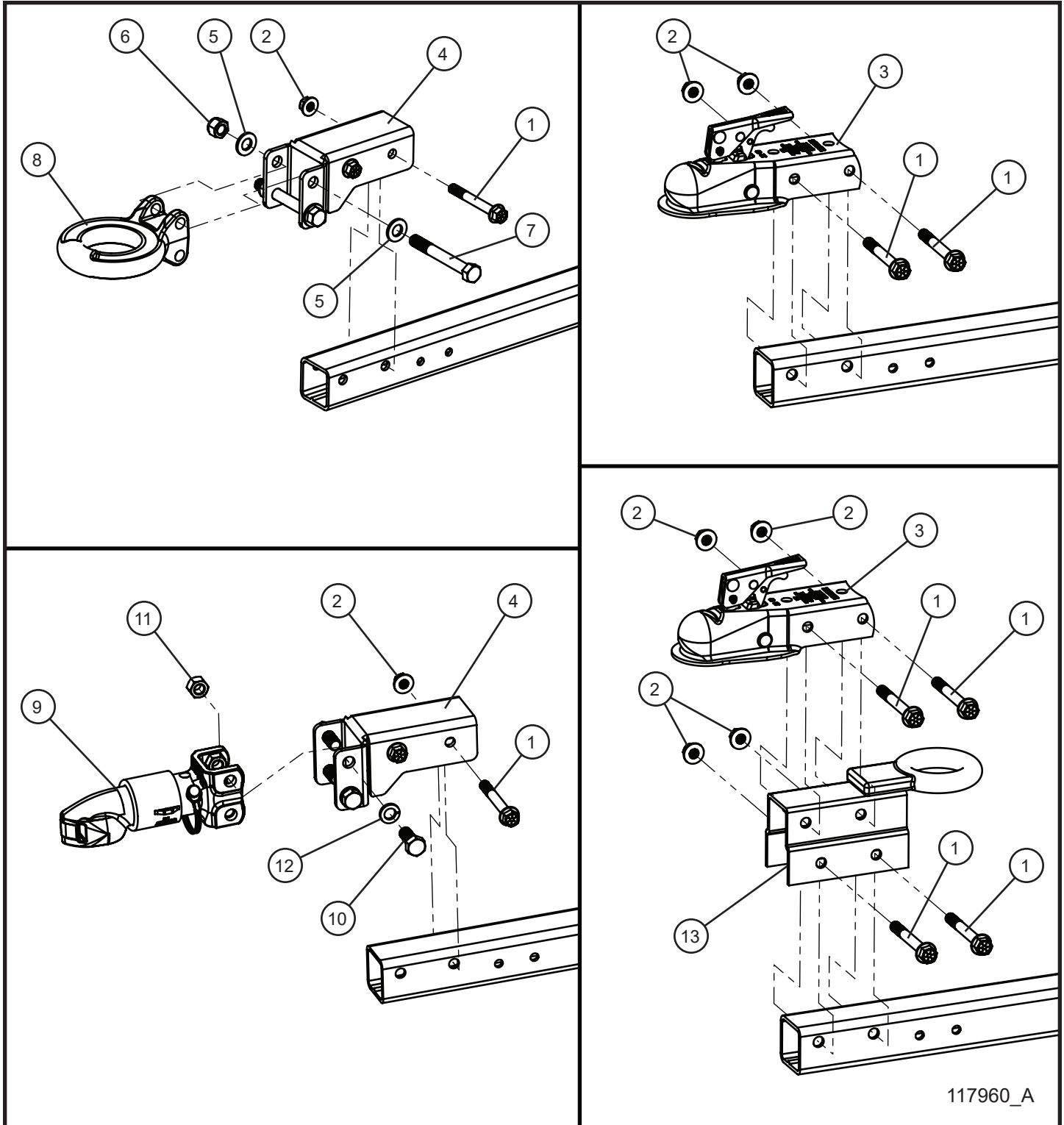
SN 25-000001 and UP

1.3 - Tongue

Item	Part No.	Part Description	Qty.
1	047015	3/8 FLAT WASHER	2
2	056025	1/2-13 x 4 HEX FLANGE SCREW	1
3	057009	1/2-13 NYLOCK FLANGE NUT	1
4	046159	7/16-14 X 1 1/4 HEX HEAD	2
5	116374	1/2 x 4 SNAP LOCK PIN W/ WIRE COIL & 1 1/4 WASHER	2
6	117553P	TONGUE WELDMENT NL GR-SERIES	1
7	049040	27 IN. CLASS III TOW CHAIN (STANDARD)	2
	049038	36 IN. CLASS IV TOW CHAIN (BULLDOG & LUNETTE OPTIONS)	2
8	108726	TOP CRANK TUBE JACK	1
9	057011	7/16-14 HEX NYLOCK FLANGE NUT	2

*NS - NOT SHOWN

1.4 - Tongue Coupler Options



117960_A

NIGHT-LITE™ GR-SERIES

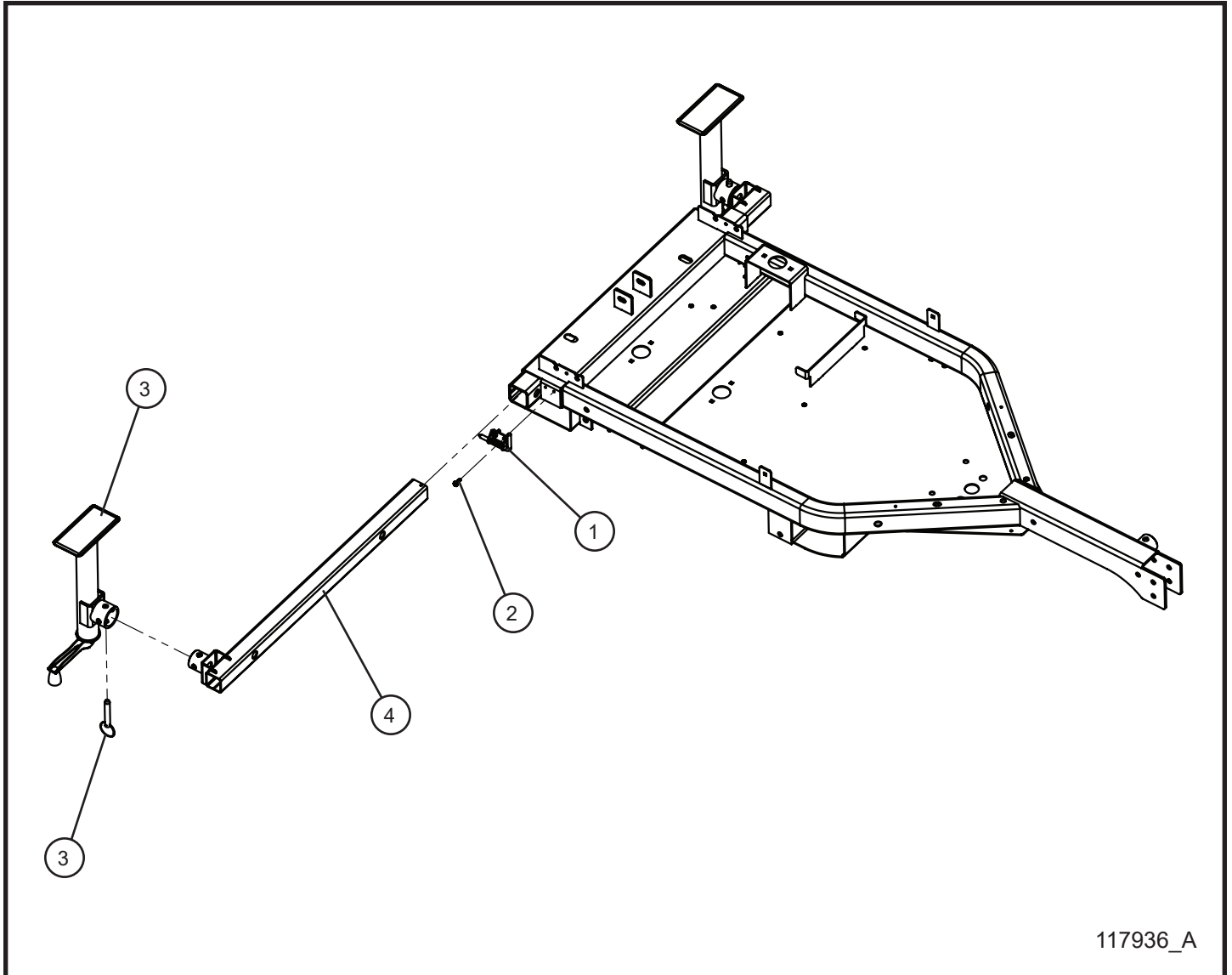
SN 25-000001 and UP

1.4 - Tongue Coupler Options

Item	Part No.	Part Description	Qty.
1	056025	1/2-13 x 4 HEX FLANGE SCREW	3
2	057009	1/2-13 NYLOCK FLANGE NUT	3
3	116989	2 INCH BALL COUPLER CLASS II 3500LBS 2.5 INCH TONGUE	1
4	118666	COUPLER MOUNT UNIVERSAL 2.5 INCH TONGUE	1
5	047031	5/8 FLAT WASHER	4
6	044053	5/8-11 NYLOCK HEX NUT	2
7	046255	5/8-11 x 5 HEX HEAD	2
8	106720	PINTLE RING 3.0 ADJUSTABLE	1
9	109978	COUPLER 2.00 BALL BULLDOG 7000 LBS ADJUSTABLE	1
10	046245	5/8-11 x 1 1/2 BOLT	4
11	044050	5/8-11 HEX NUT	4
12	043101	5/8 SPLIT LOCK WASHER	4
13	118667	REVERSIBLE COUPLER MOUNT 2-1/2" TONGUE W/ 2-1/2" RING	1

*NS - NOT SHOWN

1.5 - Outriggers



117936_A

NIGHT-LITE™ GR-SERIES

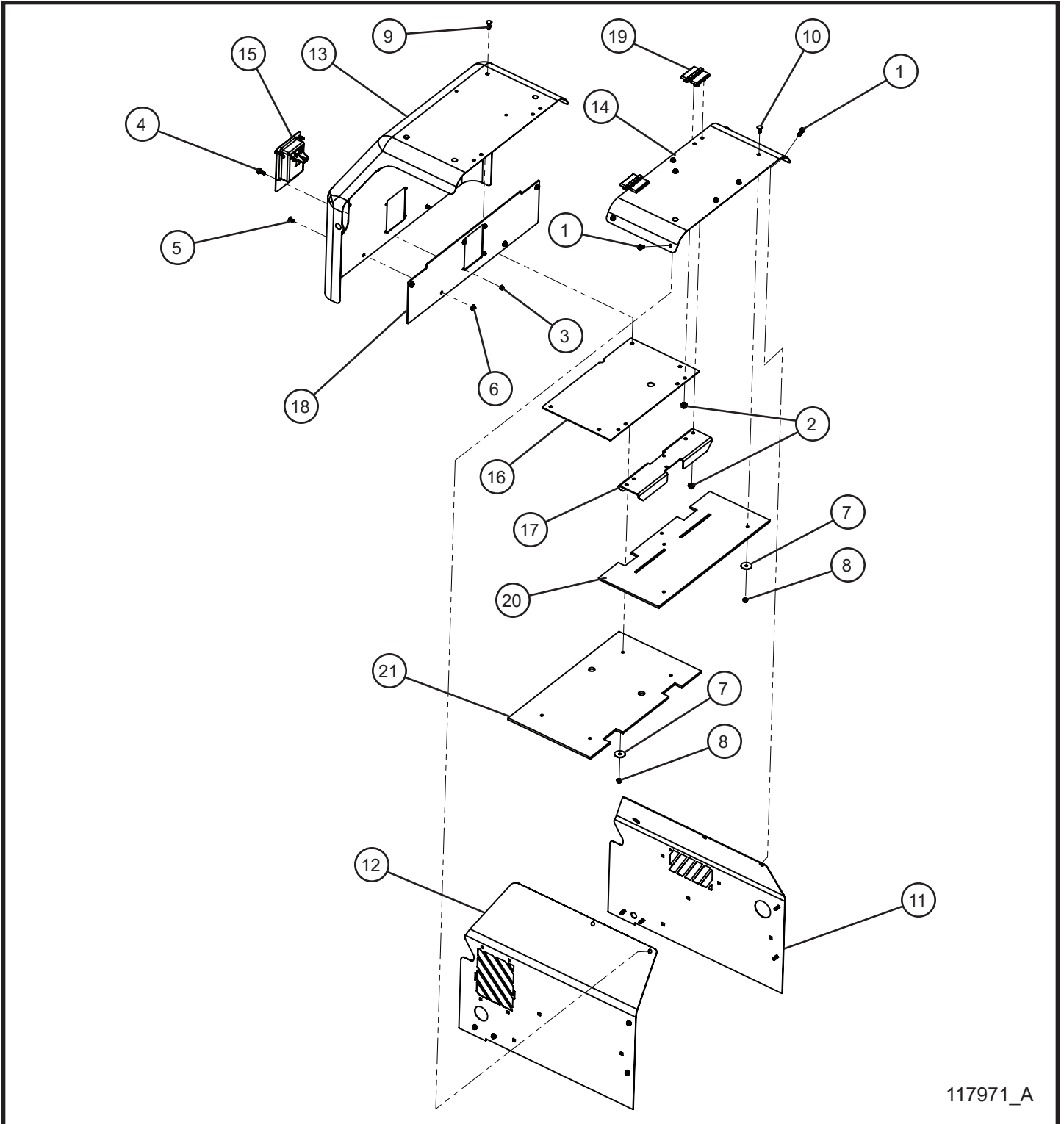
SN 25-000001 and UP

1.5 - Outriggers

Item	Part No.	Part Description	Qty.
1	650723	RETENSION PIN	2
2	041070	1/4-20 x 3/4 SLOTTED HEX WASHER HEAD	4
3	108726	TOP CRANK TUBE JACK	2
4	117748P	OUTRIGGER WELDMENT ROAD SIDE NL GR-SERIES	2

*NS - NOT SHOWN

1.6 - Enclosure Base Parts I



117971_A

NIGHT-LITE™ GR-SERIES

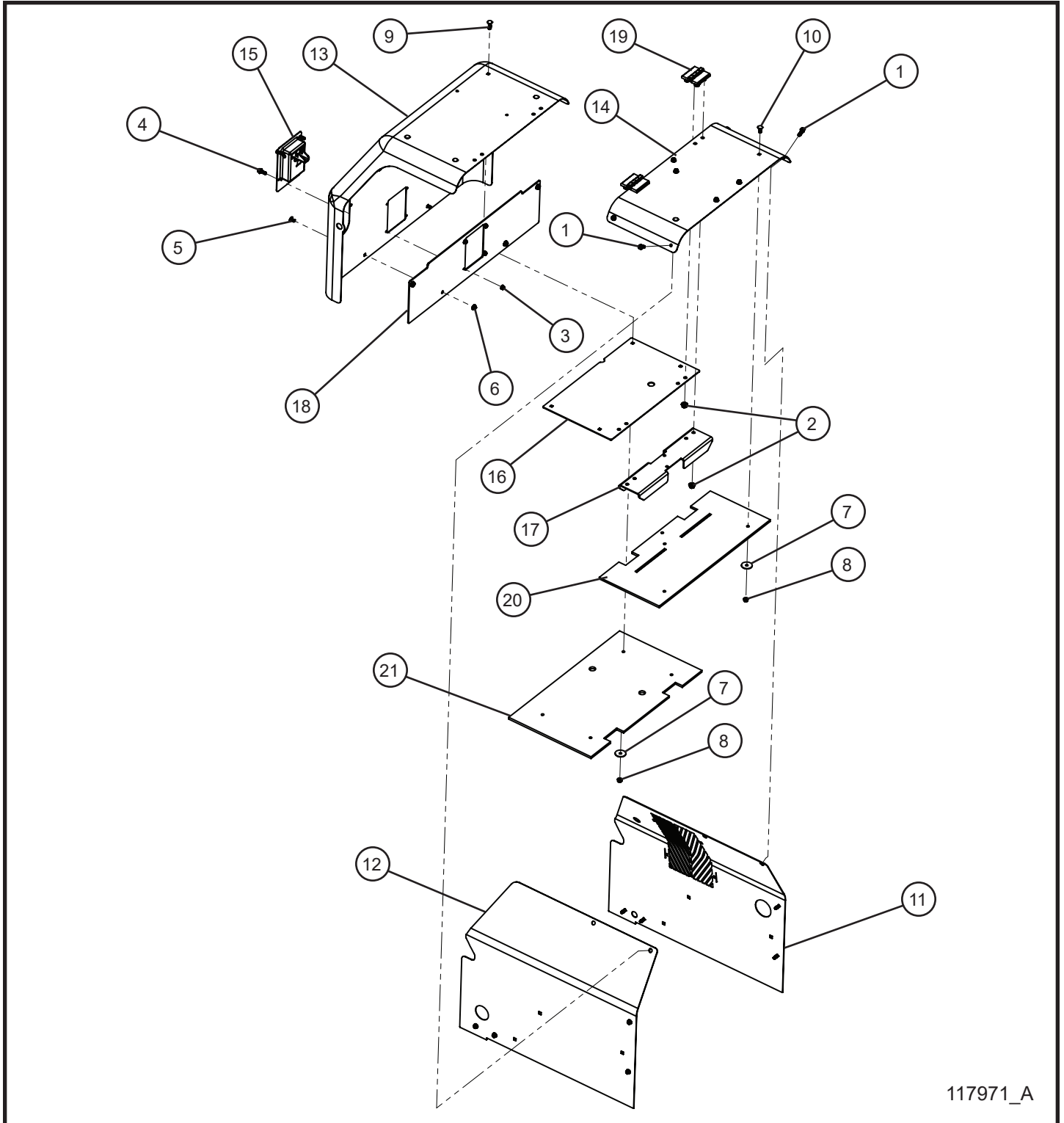
SN 25-000001 to 25-003161

1.6 - Enclosure Base Parts I

Item	Part No.	Part Description	Qty.
1	056019	1/4-20 x 3/4 HEX FLANGE SCREW	16
2	059000	M8 X 1.25 SERRATED FLANGE NUT	8
3	057010	#10-24 HEX NYLOCK FLANGE NUT	4
4	056005	#10-24 x 3/4 HEX SERRATED FLANGE SCREW	4
5	053006	1/4-20 x 3/4 CARRIAGE BOLT	4
6	057000	1/4-20 HEX SERRATED FLANGE NUT	4
7	047007	1/4 x 1 1/4 x .056 FENDER WASHER	6
8	057001	1/4-20 HEX NYLOCK FLANGE NUT	10
9	100342	1/4-20 x 1 CARRIAGE BOLT	4
10	053006	1/4-20 x 3/4 CARRIAGE BOLT	10
11	117712P	ENCLOSURE PANEL ROAD SIDE NL GR-SERIES DIESEL	1
12	117713P	PANEL CURBSIDE NL GR-SERIES DIESEL	1
13	116131P	REAR DOOR NL GR-SERIES DIESEL	1
14	117711P	PANEL ROOF NL GR-SERIES DIESEL	1
15	680459	SLAM LATCH	1
16	117858P	STIFFENER PLATE REAR DOOR NL GR-SERIES DIESEL	1
17	117775P	SUPPORT BRACKET TOP ENCLOSURE PANEL NL-GR DIESEL	1
18	117736P	PLATE DOOR REINFORCEMENT NL GR-SERIES DIESEL	1
19	116986	HINGE 60mm x 60mm W/ M8 STUDS	2
20	118243	HEAT INSULATION ROOF PANEL NL-GR DIESEL	1
21	118244	HEAT INSUALTION DOOR ROOF PANEL NL-GR DIESEL	1

*NS - NOT SHOWN

1.7 - Enclosure Base Parts II



117971_A

NIGHT-LITE™ GR-SERIES

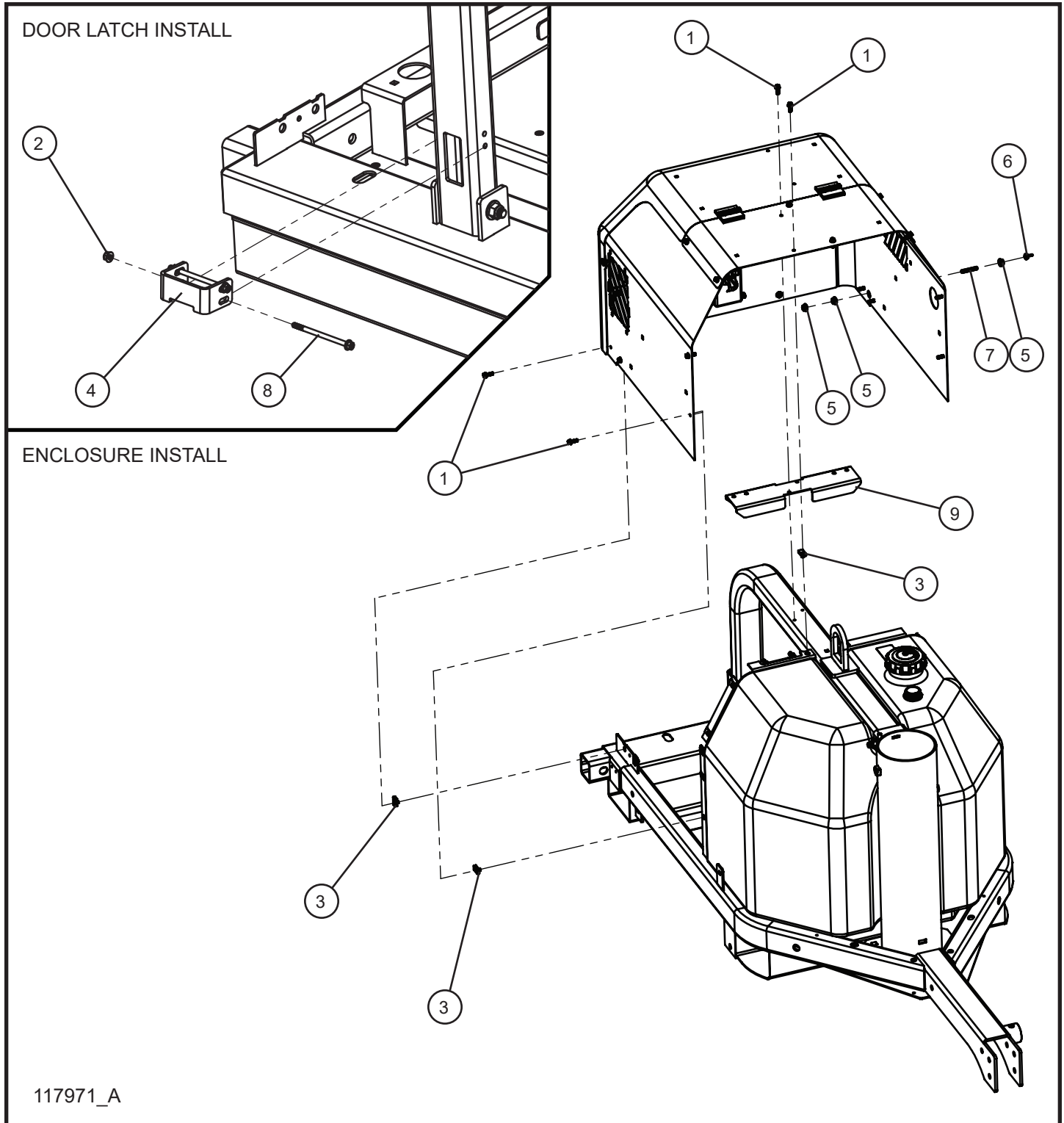
SN 25-003162 and UP

1.7 - Enclosure Base Parts II

Item	Part No.	Part Description	Qty.
1	056019	1/4-20 x 3/4 HEX FLANGE SCREW	16
2	059000	M8 X 1.25 SERRATED FLANGE NUT	8
3	057010	#10-24 HEX NYLOCK FLANGE NUT	4
4	056005	#10-24 x 3/4 HEX SERRATED FLANGE SCREW	4
5	053006	1/4-20 x 3/4 CARRIAGE BOLT	4
6	057000	1/4-20 HEX SERRATED FLANGE NUT	4
7	047007	1/4 x 1 1/4 x .056 FENDER WASHER	6
8	057001	1/4-20 HEX NYLOCK FLANGE NUT	10
9	100342	1/4-20 x 1 CARRIAGE BOLT	4
10	053006	1/4-20 x 3/4 CARRIAGE BOLT	10
11	120496P	ENCLOSURE PANEL ROAD SIDE NL GR-SERIES DIESEL	1
12	120497P	PANEL CURBSIDE NL GR-SERIES DIESEL	1
13	116131P	REAR DOOR NL GR-SERIES DIESEL	1
14	117711P	PANEL ROOF NL GR-SERIES DIESEL	1
15	680459	SLAM LATCH	1
16	117858P	STIFFENER PLATE REAR DOOR NL GR-SERIES DIESEL	1
17	117775P	SUPPORT BRACKET TOP ENCLOSURE PANEL NL-GR DIESEL	1
18	117736P	PLATE DOOR REINFORCEMENT NL GR-SERIES DIESEL	1
19	116986	HINGE 60mm x 60mm W/ M8 STUDS	2
20	118243	HEAT INSULATION ROOF PANEL NL-GR DIESEL	1
21	118244	HEAT INSUALTION DOOR ROOF PANEL NL-GR DIESEL	1

*NS - NOT SHOWN

1.8 - Enclosure Install Group



NIGHT-LITE™ GR-SERIES

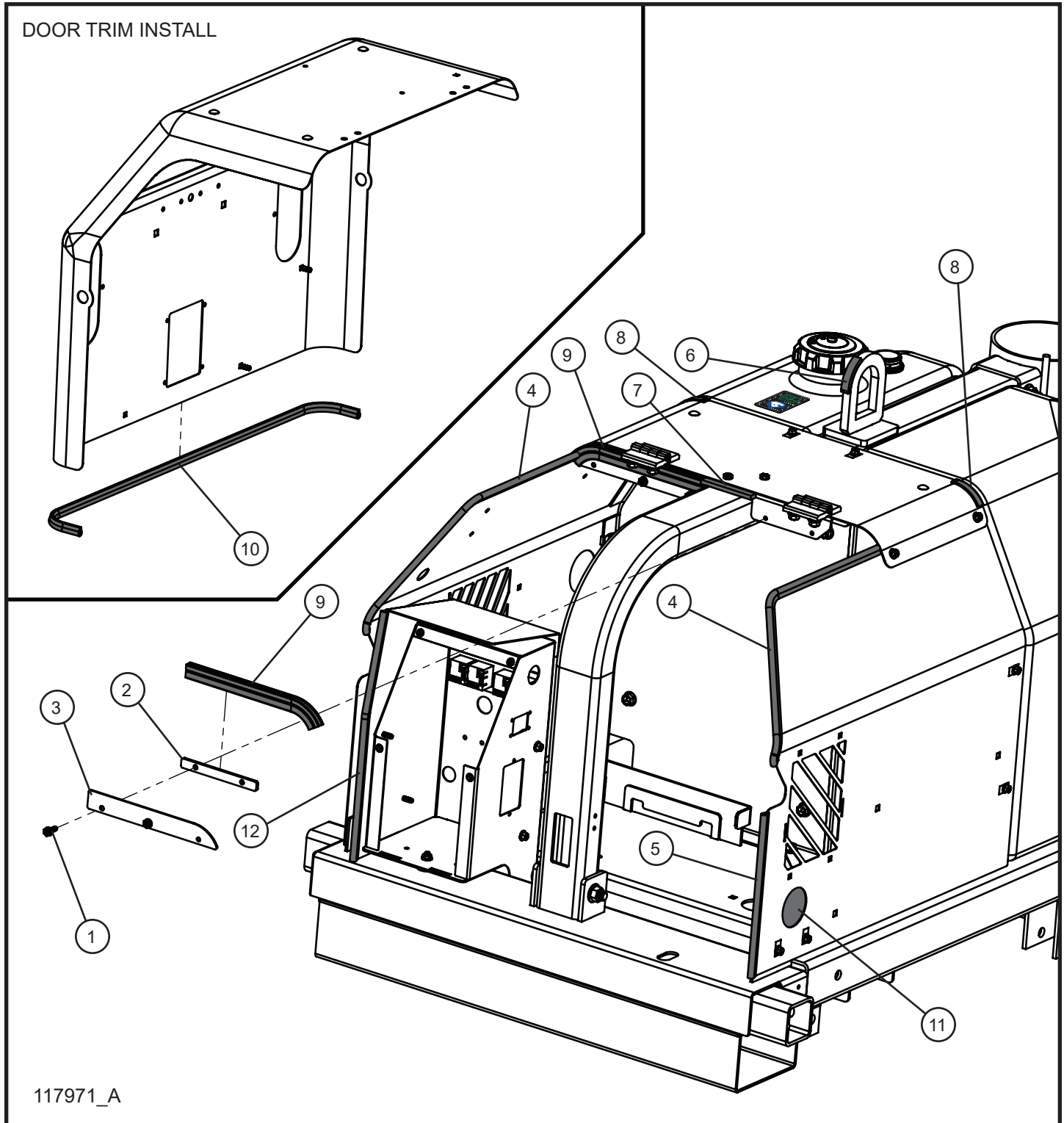
SN 25-000001 and UP

1.8 - Enclosure Install Group

Item	Part No.	Part Description	Qty.
1	056019	1/4-20 x 3/4 HEX FLANGE SCREW	14
2	057001	1/4-20 HEX NYLOCK FLANGE NUT	2
3	044106	1/4-20 EXTRUDED U NUT	14
4	119000P	BRACKET SLAM LATCH NL GR-SERIES DIESEL	1
5	057000	1/4-20 HEX SERRATED FLANGE NUT	3
6	330494	1/4-20 WING NUT	1
7	045003	1/4-20 x 1-1/2 STUD	1
8	056029	1/4-20 x 4 HEX FLANGE SCREW	2
9	117775P	SUPPORT BRACKET TOP ENCLOSURE PANEL NL-GR DIESEL	1

*NS - NOT SHOWN

1.9 - Enclosure Trim Parts



NIGHT-LITE™ GR-SERIES

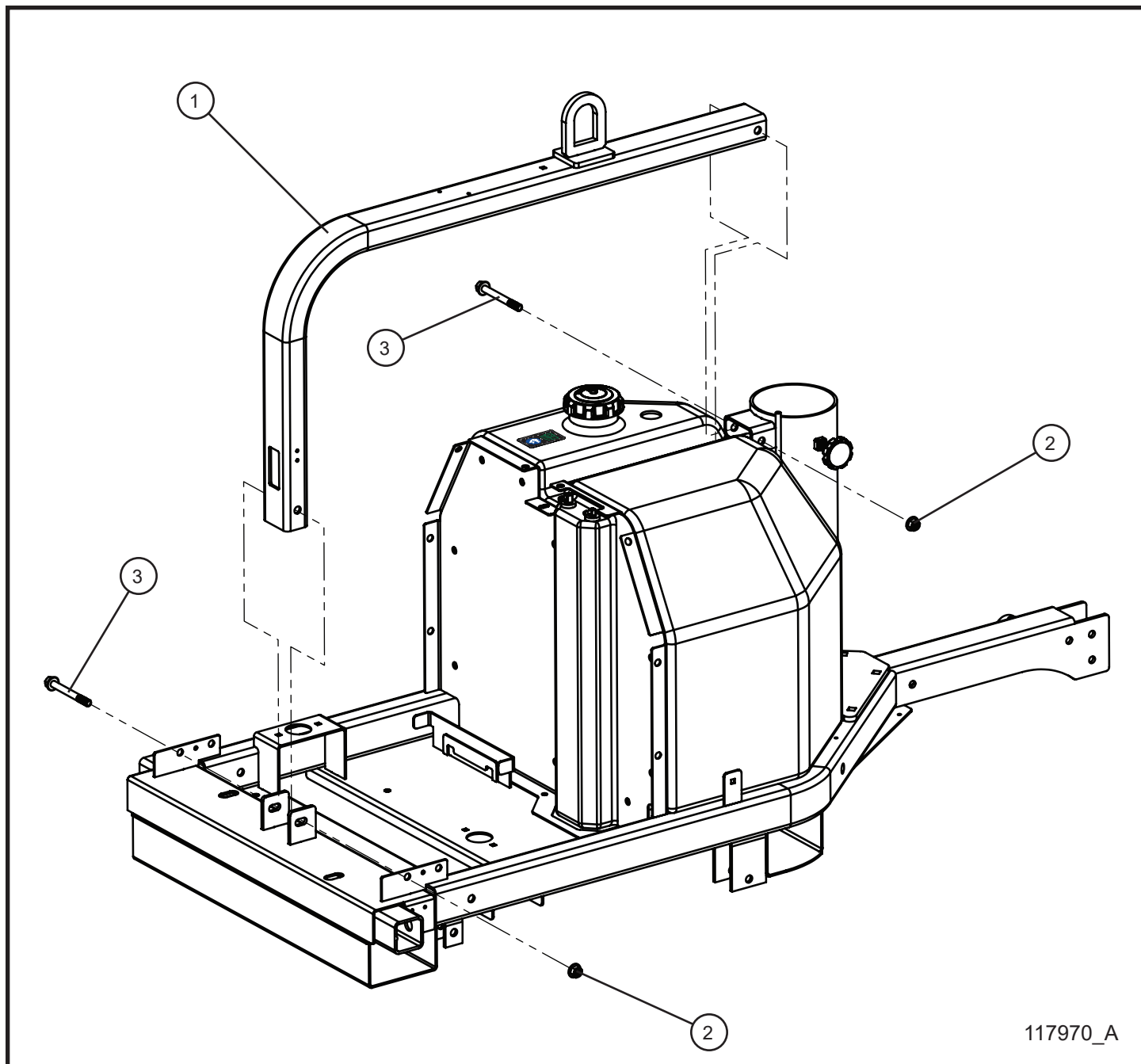
SN 25-000001 and UP

1.9 - Enclosure Trim Parts

Item	Part No.	Part Description	Qty.
1	041070	1/4-20 x 3/4 SL-HEX WASHER HEAD	4
2	117875P	UPPER DOOR SEAL SPACER NL GR-SERIES AIR COOLED	2
3	117876P	UPPER DOOR SEAL MOUNTING STRIP NL GR AIR COOLED	2
4	030052	TRIMLOCK END BEAD x 20.50	2
5	030052	TRIMLOOK END BEAD x 10.00	1
6	115260	SEAL 1/4 x 1/2 POLYURETHANE FOAM x 2.00	1
7	115260	SEAL 1/4 x 1/2 POLYURETHANE FOAM x 3.50	1
8	105998	TRIM GASKET 1/16" WITH 3/8 BULB x 2.25	2
9	118301	EDGE TRIM 11mm BULB UL x 9.25	2
10	030052	TRIMLOOK END BEAD x 33.50	1
11	110370	GROMMET SOLID 2.047 x 2.323 x .512	1
12	030052	TRIMLOOK END BEAD x 15.00	1

*NS - NOT SHOWN

1.10 - Lift Bow



NIGHT-LITE™ GR-SERIES

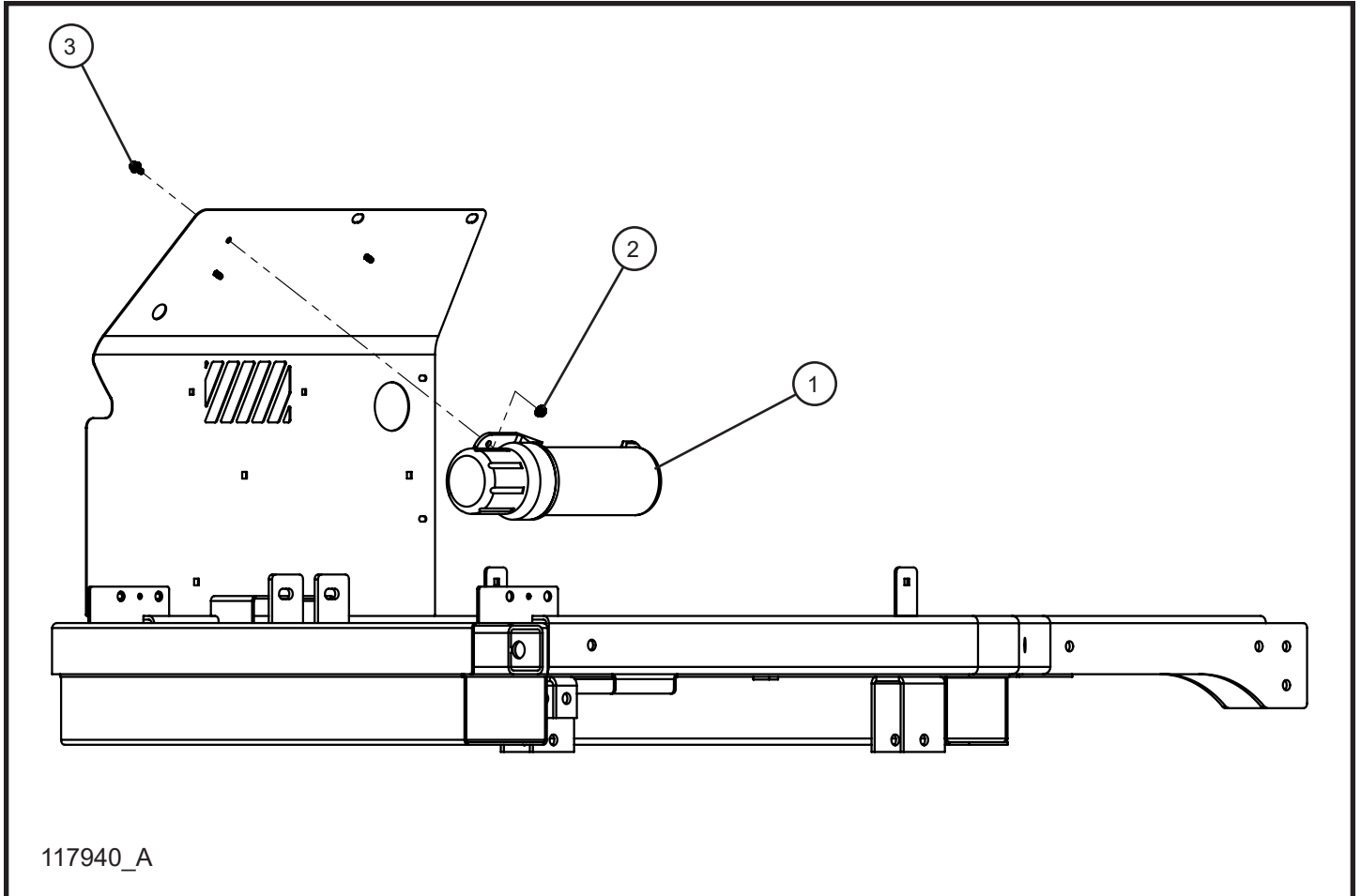
SN 25-000001 and UP

1.10 - Lift Bow

Item	Part No.	Part Description	Qty.
1	117088P	LIFT BOW NIGHT-LITE GR-SERIES DIESEL	1
2	057009	1/2-13 NYLOCK FLANGE NUT	2
3	056026	1/2-13 X 4 1/2 HEX FLANGE SCREW	2

*NS - NOT SHOWN

1.11 - Manual Canister



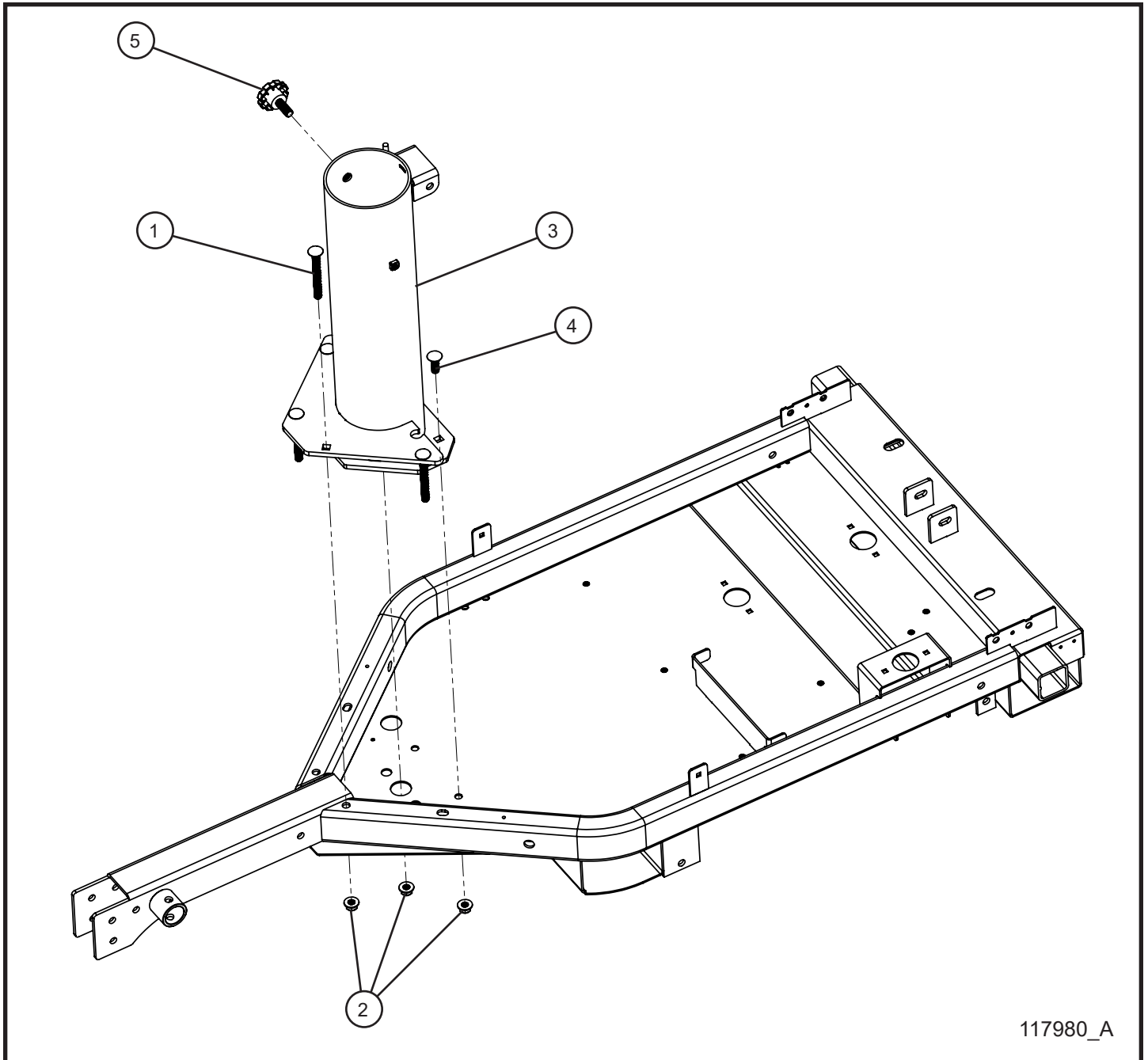
NIGHT-LITE™ GR-SERIES

SN 25-000001 and UP

1.11 - Manual Canister

Item	Part No.	Part Description	Qty.
1	103651	PRODUCT MANUAL CANISTER	1
2	057000	1/4-20 HEX SERRATED FLANGE NUT	3
3	056040	1/4-20 X 5/8 HEX FLANGE SCREW	3
NS	120250	NIGHT-LITE GR-SERIES SCHEMATIC MANUAL	1
NS	122018	DSE L401 MKII CONTROLLER OPERATOR MANUAL	1
NS	118098	NIGHT-LITE GR-SERIES AIR COOLED OPERATOR MANUAL	1

2.1 - Tower Pedestal



117980_A

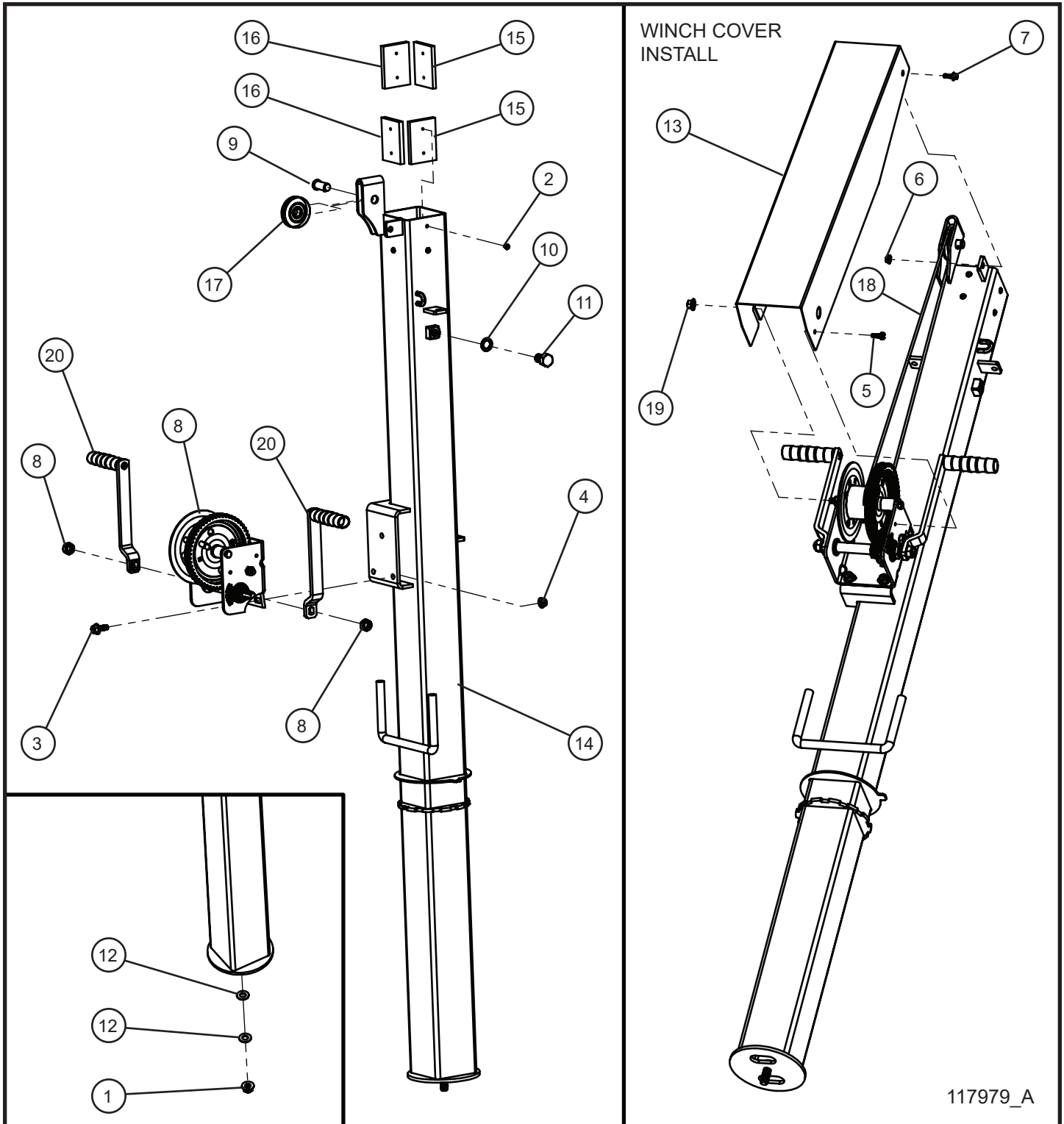
NIGHT-LITE™ GR-SERIES

SN 25-000001 and UP

2.1 - Tower Pedestal

Item	Part No.	Part Description	Qty.
1	053051	1/2-13 X 4 1/2 CARRIAGE BOLT	4
2	057009	1/2-13 NYLOCK FLANGE NUT	6
3	117554P	PEDESTAL WELDMENT NL-GR SERIES	1
4	053050	1/2-13 X 1 1/4 CARRIAGE BOLT	2
5	620550	LOCKING KNOB	1

2.2 - Tower Section 1



117979_A

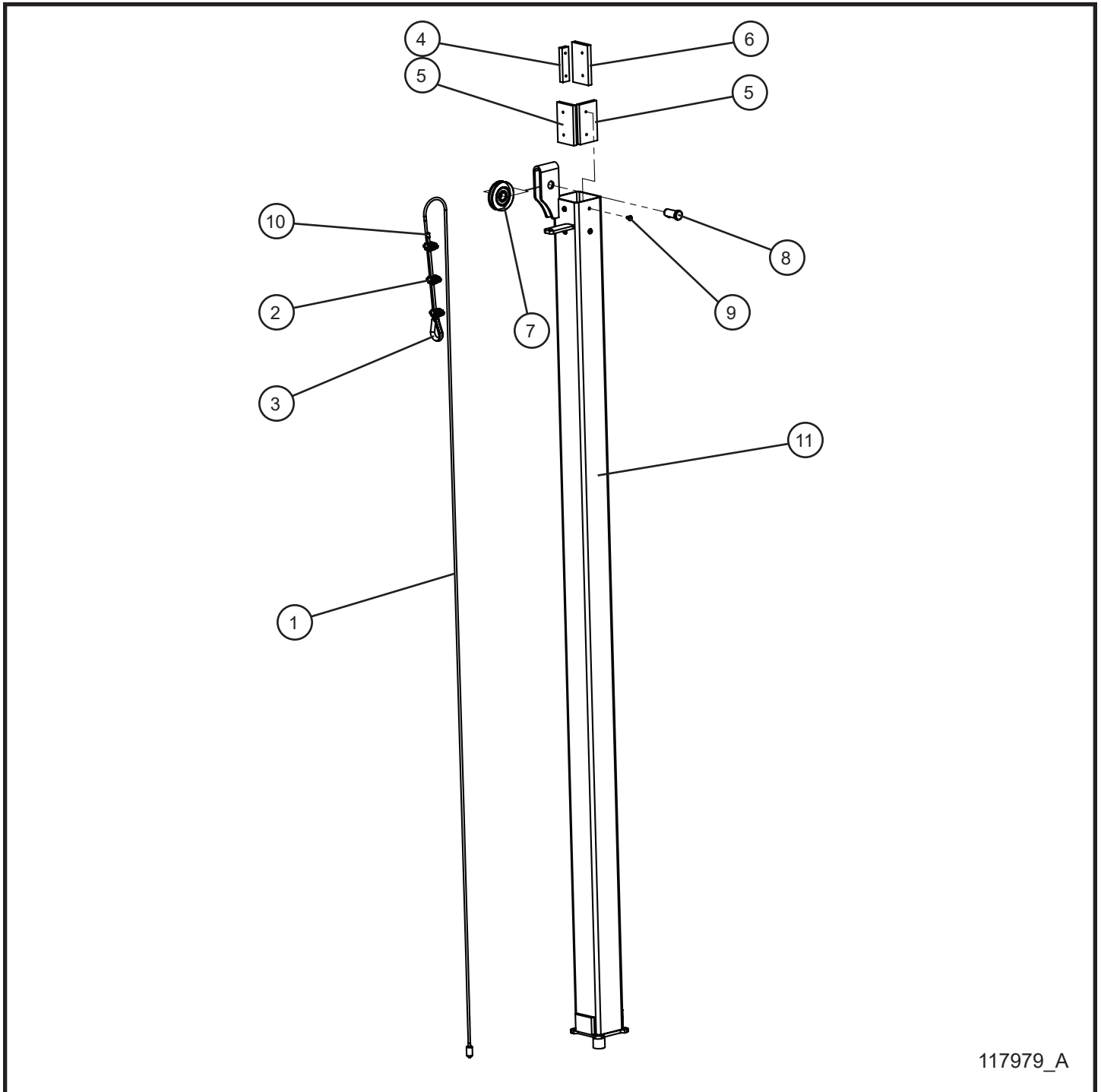
NIGHT-LITE™ GR-SERIES

SN 25-000001 and UP

2.2 - Tower Section 1

Item	Part No.	Part Description	Qty.
1	057009	1/2-13 NYLOCK FLANGE NUT	1
2	041023	#10 x 3/8 PH-ROUND HEAD	16
3	056010	3/8-16 x 1 SERRATED FLANGE HEX SCREW	3
4	057007	3/8-16 HEX NYLOCK FLANGE NUT	3
5	041070	1/4-20 x 3/4 SLOTTED HEX WASHER HEAD	3
6	057001	1/4-20 HEX NYLOCK FLANGE NUT	1
7	056019	1/4-20 x 3/4HEX FLANGE SCREW	1
8	116985	WINCH BRAKE 1500 LB DUAL HANDLE WINCH ONLY	1
9	033000	5/8 x 1 SLIC PIN	3
10	043100	5/8 INTL TOOTHLOCK WASHER PL	1
11	046242	5/8-11 x HEX HEAD CS GR5 PL	1
12	047025	1/2 FLAT WASHER	1
13	117776P	MANUAL WINCH CABLE COVER NL-GR SERIES	1
14	117091P	WELDMENT TOWER 4 INCH SECTION NL-GR SERIES	1
	120524	WELDMENT TOWER 4 INCH SECTION NLGR GALVINIZED	1
15	650110	.312 TOWER PAD	2
16	650109	.375 TOWER PAD	2
17	100160	2 1/2 PULLEY BALL BEARING	1
18	620076	TOP CABLE MANUAL PRO	1
19	044041	3/8-16 HEX JAM NUT	1
20	113618	HANDLE SMALL OFFSET DUAL HANDLE WINCH	2
NS	045042	COTTER PIN 1/8 X 1 1/2"	1

2.3 - Tower Section 2



117979_A

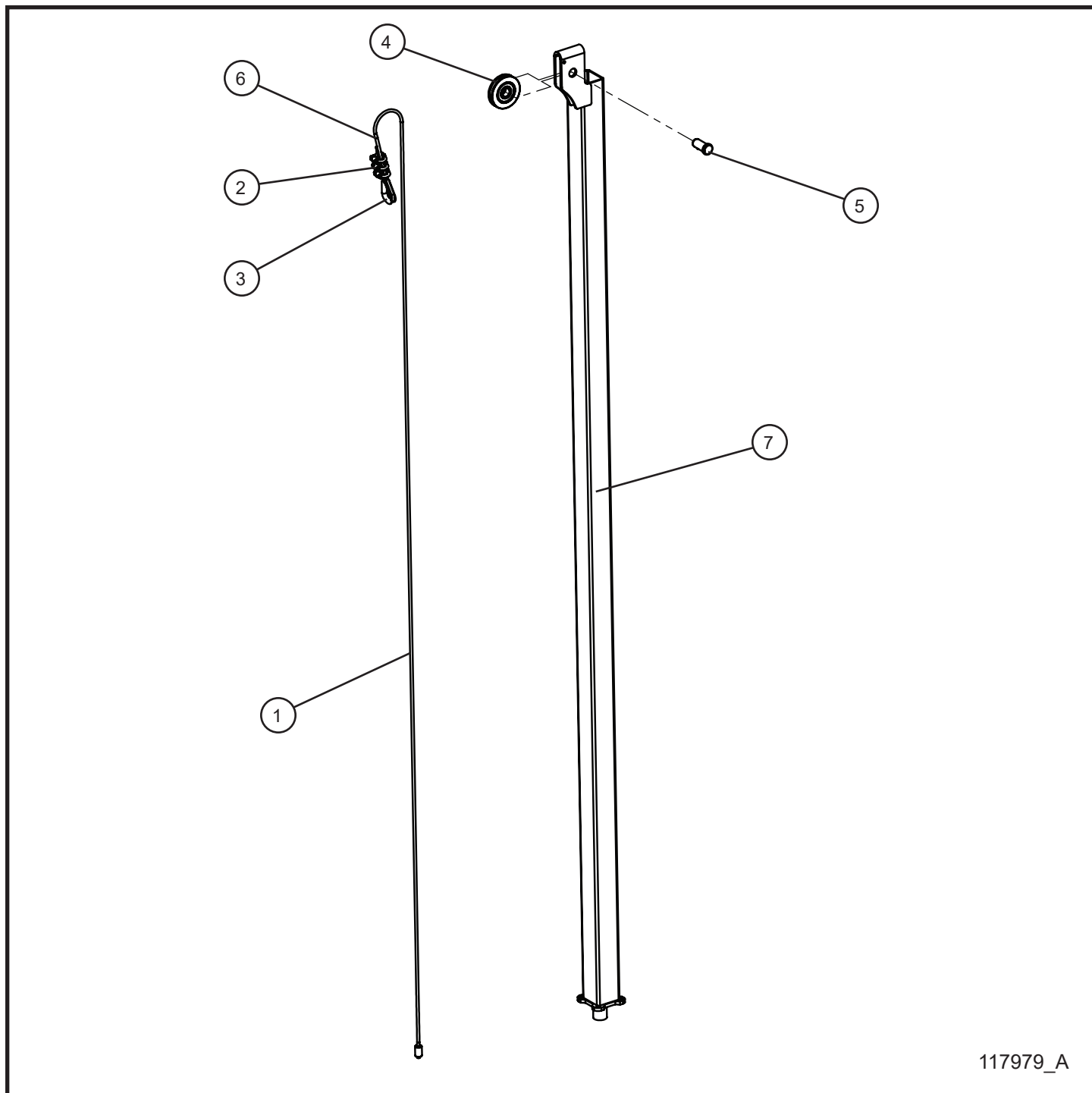
NIGHT-LITE™ GR-SERIES

SN 25-000001 and UP

2.3 - Tower Section 2

Item	Part No.	Part Description	Qty.
1	320185	WINCH CABLE MANUAL TOWER	1
2	620084	3/16 CABLE CLIP	3
3	045040	3/16 CABLE THIMBLE 3/16 WIRE ROPE	1
4	100062	3/8 UHMW SPACER	1
5	352280	PLASTIC TOWER PAD	2
6	100446	3/8 PAD SMALL	1
7	100160	2 1/2 PULLEY BALL BEARING	1
8	033000	5/8 x 1 SLIC PIN	1
9	041023	#10 x 3/8 PH-ROUND HEAD MS PL	8
10	022150	FERRULE 10-12 AWG	1
11	120525	WELDMENT TOWER 3 INCH SECTION NLGR GALVINIZED	1
	117092P	WELDMENT TOWER 3 INCH SECTION NL-GR SERIES	1
NS	045042	COTTER PIN 1/8 X 1 1/2"	1

2.4 - Tower Section 3



117979_A

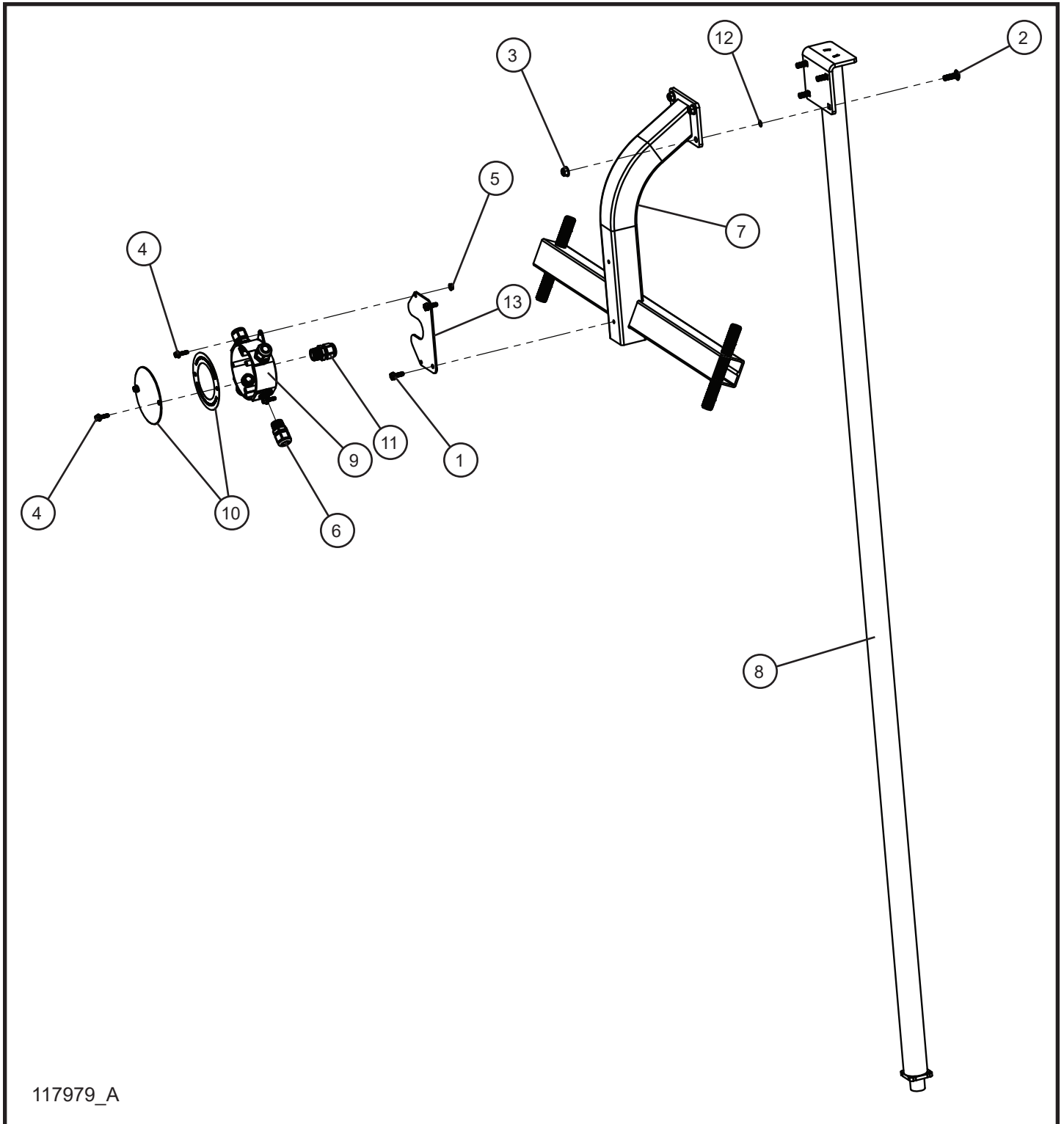
NIGHT-LITE™ GR-SERIES

SN 25-000001 and UP

2.4 - Tower Section 3

Item	Part No.	Part Description	Qty.
1	320185	WINCH CABLE MANUAL TOWER	1
2	620084	3/16 CABLE CLIP	3
3	045040	3/16 CABLE THIMBLE 3/16 WIRE ROPE	1
4	100160	2 1/2 PULLEY BALL BEARING	1
5	033000	5/8 x 1 SLIC PIN	1
6	022150	FERRULE 10-12 AWG	1
7	120526	WELDMENT TOWER 2 INCH SECTION NLGR GALVINIZED	1
	117093P	WELDMENT TOWER 2 INCH SECTION NL-GR SERIES	1
NS	045042	COTTER PIN 1/8 X 1 1/2"	1

2.5 - Tower Round Section and Light Bar



117979_A

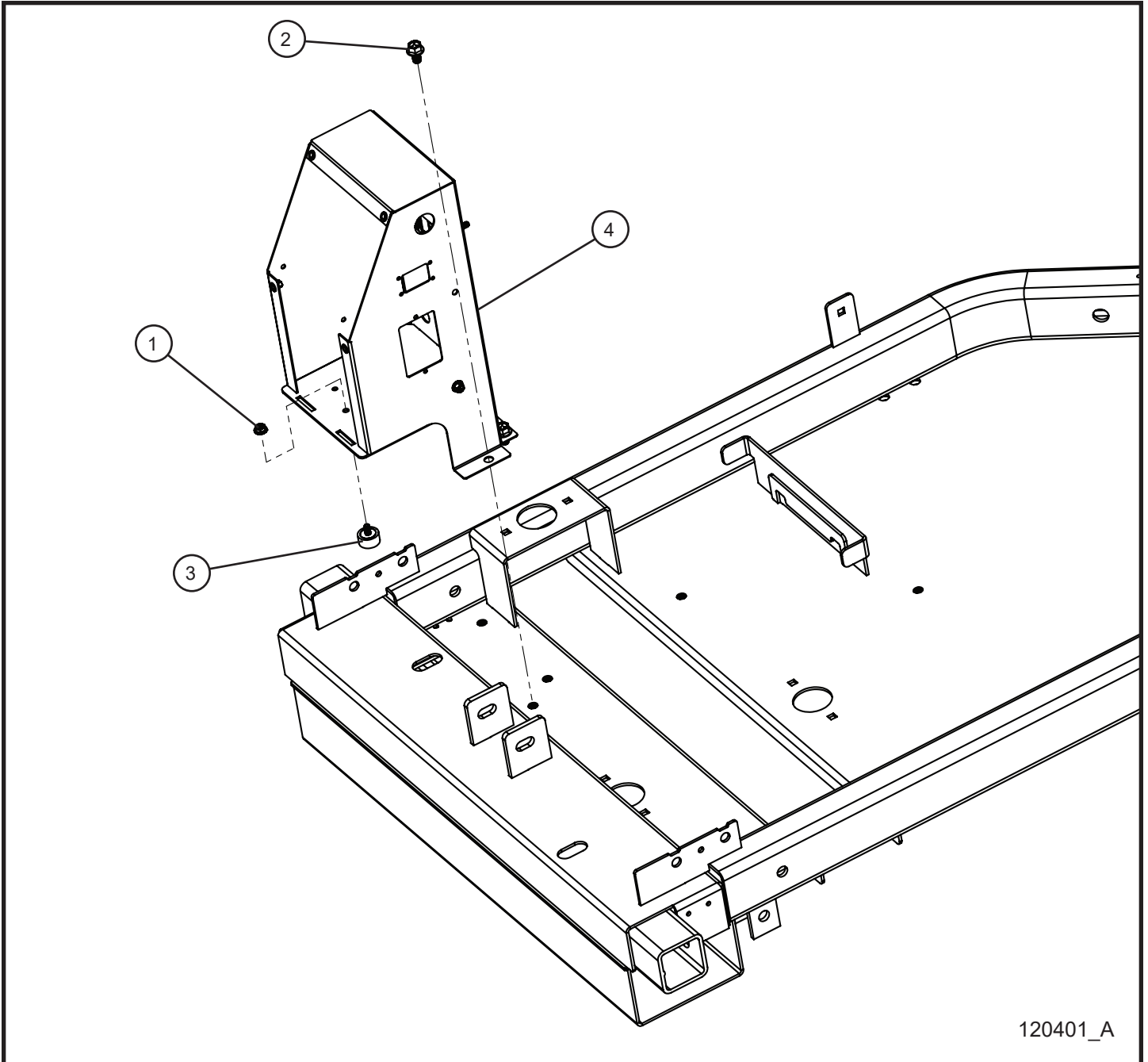
NIGHT-LITE™ GR-SERIES

SN 25-000001 and UP

2.5 - Tower Round Section and Light Bar

Item	Part No.	Part Description	Qty.
1	041070	1/4-20 x 3/4 SLOTTED HEX WASHER HEAD	3
2	053020	5/16-18 x 1 CARRIAGE BOLT	4
3	057008	5/16-18 HEX NYLOCK FLANGE NUT	4
4	056005	#10-24 x 3/4 SERRATED FLANGE HEX SCREW	4
5	057010	#10-24 HEX NYLOCK FLANGE NUT	2
6	105626	1/2 CORD GRIP	4
7	117770P	LIGHT BAR WELDMENT NL-GR SERIES	1
8	117094P	WELDMENT TOWER ROUND SECTION NL-GR SERIES	1
	120527	WELDMENT TOWER ROUND SECTION NLGR GALVINIZED	1
9	118127	WEATHERTIGHT OUTLET BOX	1
10	118128	WEATHERTIGHT LID OUTLET BOX	1
11	114886	1/2 CORD GRIP	1
12	045217	5/16 PUSH NUT	
13	117768P	MOUNT PLATE JUNCTION BOX	1

3.1 - Control Box Install Group



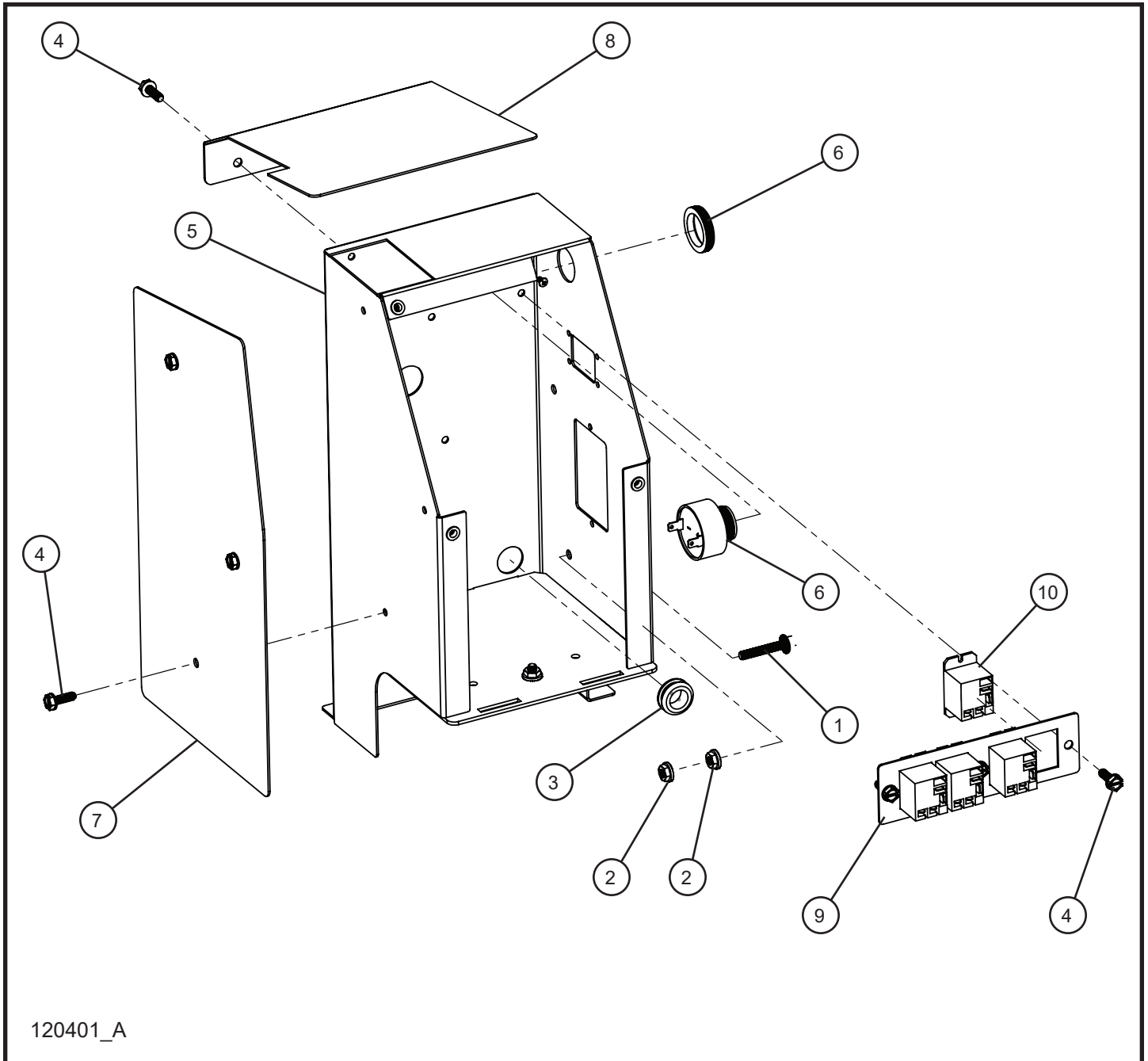
NIGHT-LITE™ GR-SERIES

SN 25-000001 and UP

3.1 - Control Box Install Group

Item	Part No.	Part Description	Qty.
1	057000	1/4-20 HEX SERRATED FLANGE NUT	1
2	056009	3/8-16 X 3/4 HEX FLANGE SCREW	3
3	930152	1 x 1/2 x 1/4-20 RUBBER BUMPER	1
4	117731P	CONTROL BOX WELDMENT NL GR-SERIES DIESEL	1

3.2 - Control Box Interior and Weather Shields



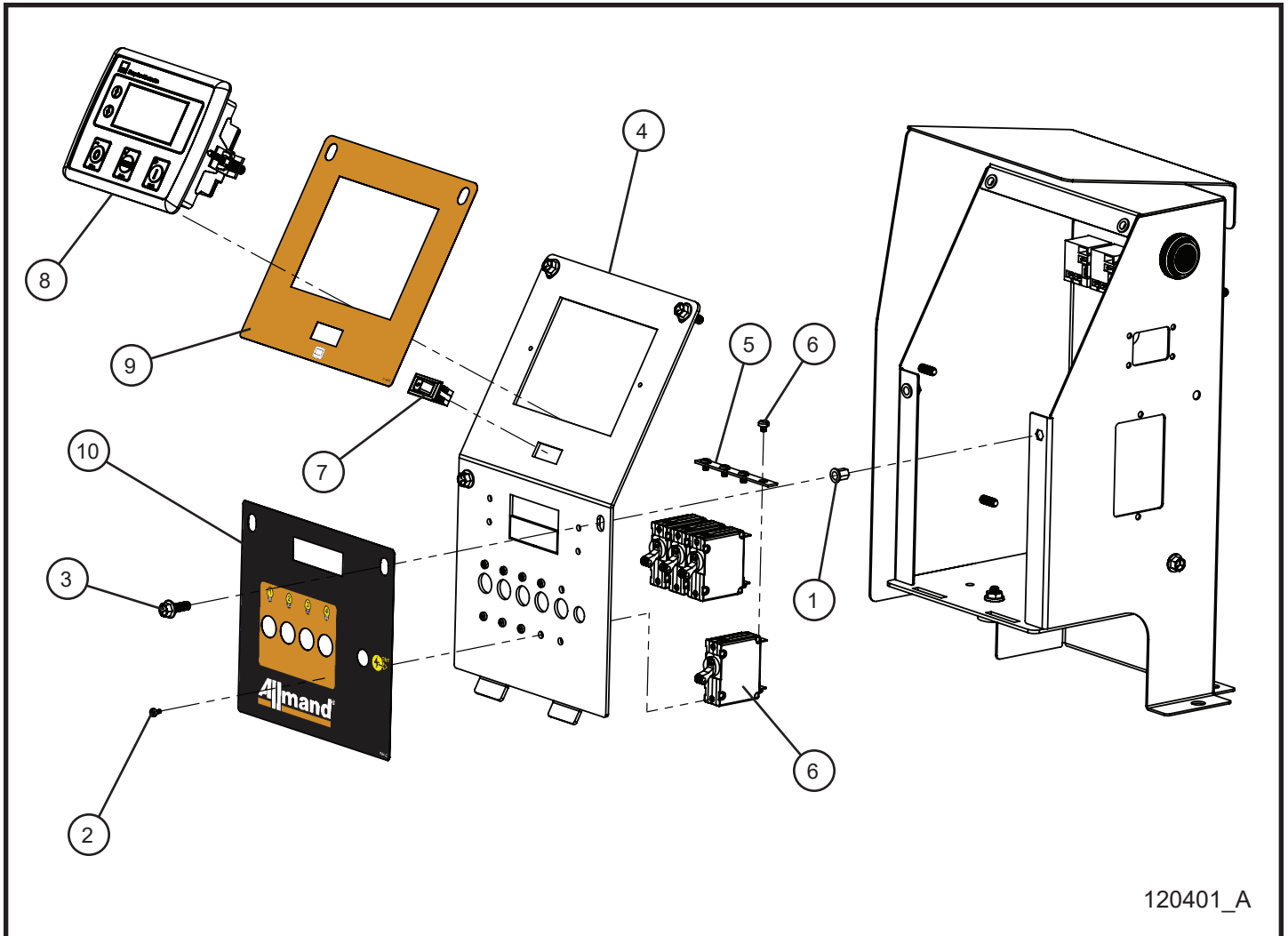
NIGHT-LITE™ GR-SERIES

SN 25-000001 and UP

3.2 - Control Box Interior and Weather Shields

Item	Part No.	Part Description	Qty.
1	056012	1/4-20 x 1 1/2 HEX SERRATED FLANGE SCREW	1
2	057000	1/4-20 HEX SERRATED FLANGE NUT	2
3	711028	7/8 RUBBER GROMMET	1
4	041070	1/4-20 x 3/4 SLOTTED HEX WASHER HEAD	8
5	117731P	CONTROL BOX WELDMENT NL GR-SERIES AIR COOLED	1
6	118086	AUDIBLE ALARM PANEL MOUNT	1
7	117991P	CNTRL BOX WEAHTER SHIELD PLATE NL GR AIR COOLED	1
8	117992P	CNTRL BOX WEAHTER SHIELD BRACKET NL GR AIR COOLED	1
9	114846P	RELAY BRACKET BREAKER BOX	1
10	104957	RELAY 120VAC 30AMP 12-28 VDC CONTROL	4
NS	105844	15A MINI FUSE	1
NS	102571	2A 250V FUSE	2
NS	120504	SCHEMATIC DEEP SEA LSC NLGR AC INTERNATIONAL	1
NS	118376	SCHEMATIC DEEP SEA LSC NL GR-SERIES AIR-COOLED	1
NS	123253	HARNESS CONTROL BOX DEEP SEA 1 NL GR AIR-COOLED	1

3.3 - Control Box Deep Sea Controller and Light Switches



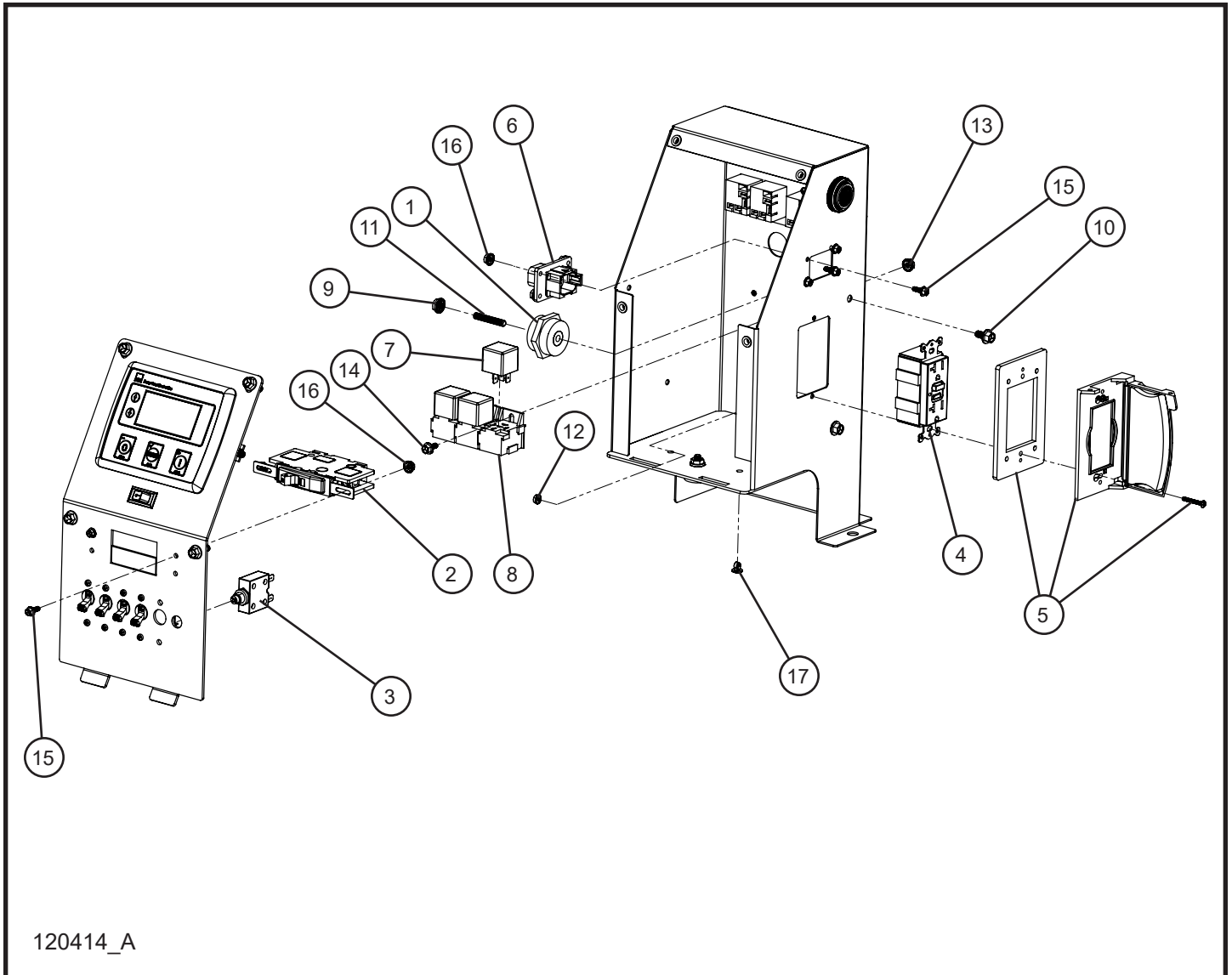
NIGHT-LITE™ GR-SERIES

SN 25-000001 and UP

3.3 - Control Box Deep Sea Controller and Light Switches

Item	Part No.	Part Description	Qty.
1	118302	1/4-20 RIVNUT HEX	4
2	041018	#6-32 x 1/4 PH-ROUND HEAD	8
3	056019	1/4-20 x 3/4 HEX FLANGE SCREW	4
4	117726P	CONTROL PANEL NL GR-SERIES DIESEL	1
5	022425	BUSS BAR 4 SLOT	1
6	116992	5 AMP SPST BREAKER SWITCH	4
7	113541	ROCKER SWITCH SPDT ON / OFF	1
8	110154	DSE L401 MK II CONTROL MODULE	1
9	118403	DECAL ENGINE CONTROL PANEL NL GR-SERIES DIESEL	1
10	118402	DECAL BREAKER PANEL NL GR-SERIES DIESEL	1
1	056006	#8-32 x 1/2 SERRATED FLANGE HEX SCREW	2
2	057003	#8-32 SERRATED FLANGE HEX LOCKNUT	2
NS	105844	15A MINI FUSE	1
NS	102571	2A 250V FUSE	2
NS	120504	SCHEMATIC DEEP SEA LSC NLGR AC INTERNATIONAL	1
NS	118376	SCHEMATIC DEEP SEA LSC NL GR-SERIES AIR-COOLED	1
NS	123253	HARNESS CONTROL BOX DEEP SEA 1 NL GR AIR-COOLED	1

3.4 - Control Box (60Hz) Main Breaker and GFCI Group



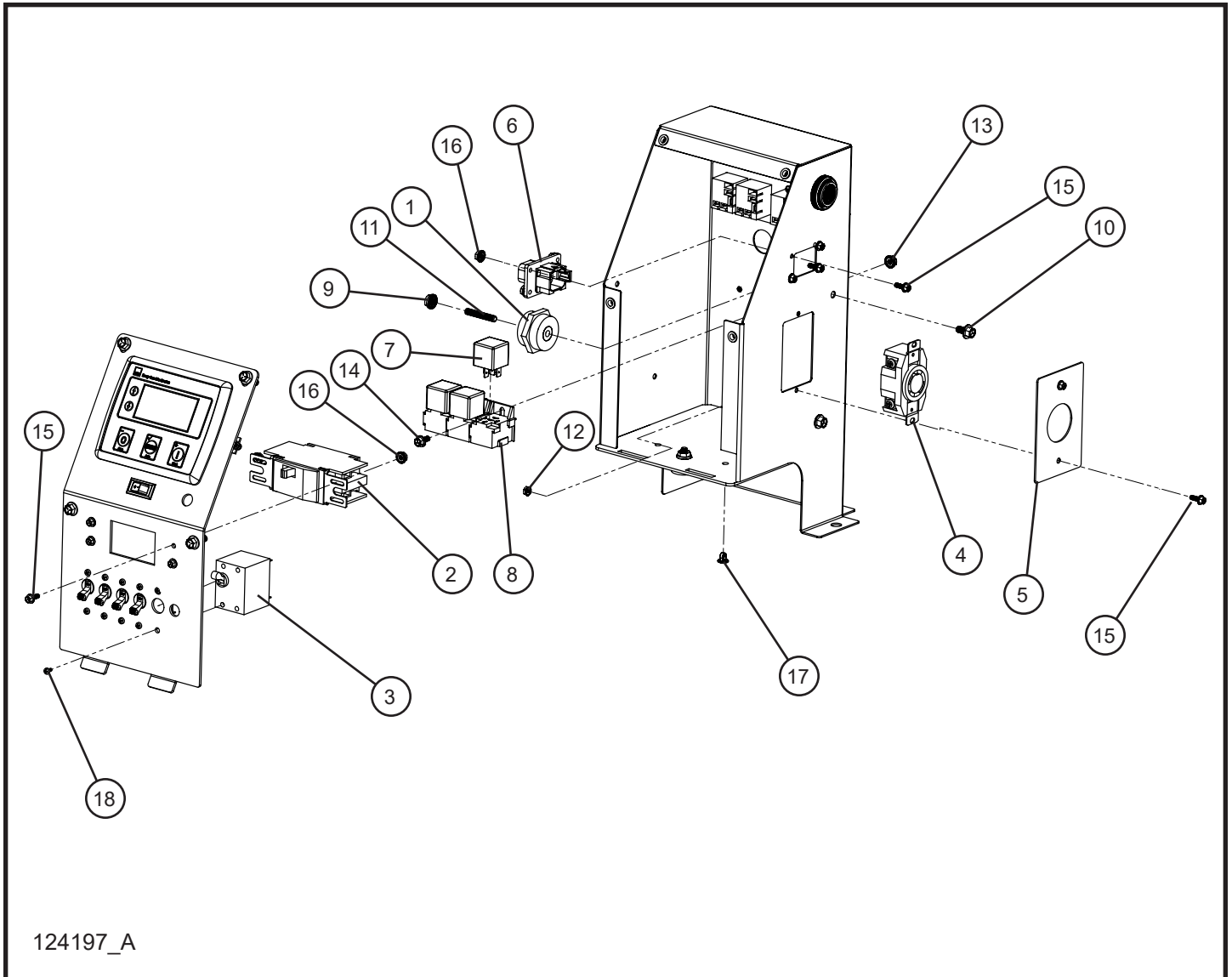
NIGHT-LITE™ GR-SERIES

SN 25-000001 and UP

3.4 - Control Box (60Hz) Main Breaker and GFCI Group

Item	Part No.	Part Description	Qty.
1	106318	LOW VOLTAGE INSULATOR 1-1/4", 1/4-20	1
2	116997	25A 120/240V SPDT MAIN BREAKER	1
3	118398	20A THERMAL PUSH BUTTON CIRCUIT BREAKER	1
4	330499	20 AMP RECEPTACLE GFCI	1
5	112278	COVER WEATHERPROOF HORIZONTAL	1
6	116957	8 WAY FLANGE RECEPTACLE	1
7	118231	30/40 AMP 12V PLUG IN RELAY	3
8	118230	SINGLE RELAY BLOCK WITH MOUNTING TAB	3
9	057000	1/4-20 HEX SERRATED FLANGE NUT	1
10	122452	1/4-20 X 1/2 HEX SERRATED FLANGE BOLT W/ THREAD LOCK	1
11	122454	1/4-20 X 1-1/2 STUD W/ THREAD LOCK	1
12	044004	#6-32 KEPS HEX NUT	4
13	057004	#10-24 HEX SERRATED FLANGE LOCKNUT	3
14	056022	#10-24 x 1/2 HEX SERRATED FLANGE SCREW	3
15	056006	#8-32 x 1/2 HEX SERRATED FLANGE SCREW	4
16	057003	#8-32 HEX SERRATED FLANGE LOCKNUT	4
17	022137	PUSH BUTTON ZIP TIE MOUNT	1
NS	118469	BREAKER AND GFCI OUTLET NLGR AIR-COOLED WIRE KIT	1
NS	105844	15A MINI FUSE	1
NS	102571	2A 250V FUSE	2
NS	120504	SCHEMATIC DEEP SEA LSC NLGR AC INTERNATIONAL	1
NS	118376	SCHEMATIC DEEP SEA LSC NL GR-SERIES AIR-COOLED	1
NS	123253	HARNESS CONTROL BOX DEEP SEA 1 NL GR AIR-COOLED	1

3.5 - Control Box (60Hz) Main Breaker and Twistlock Group



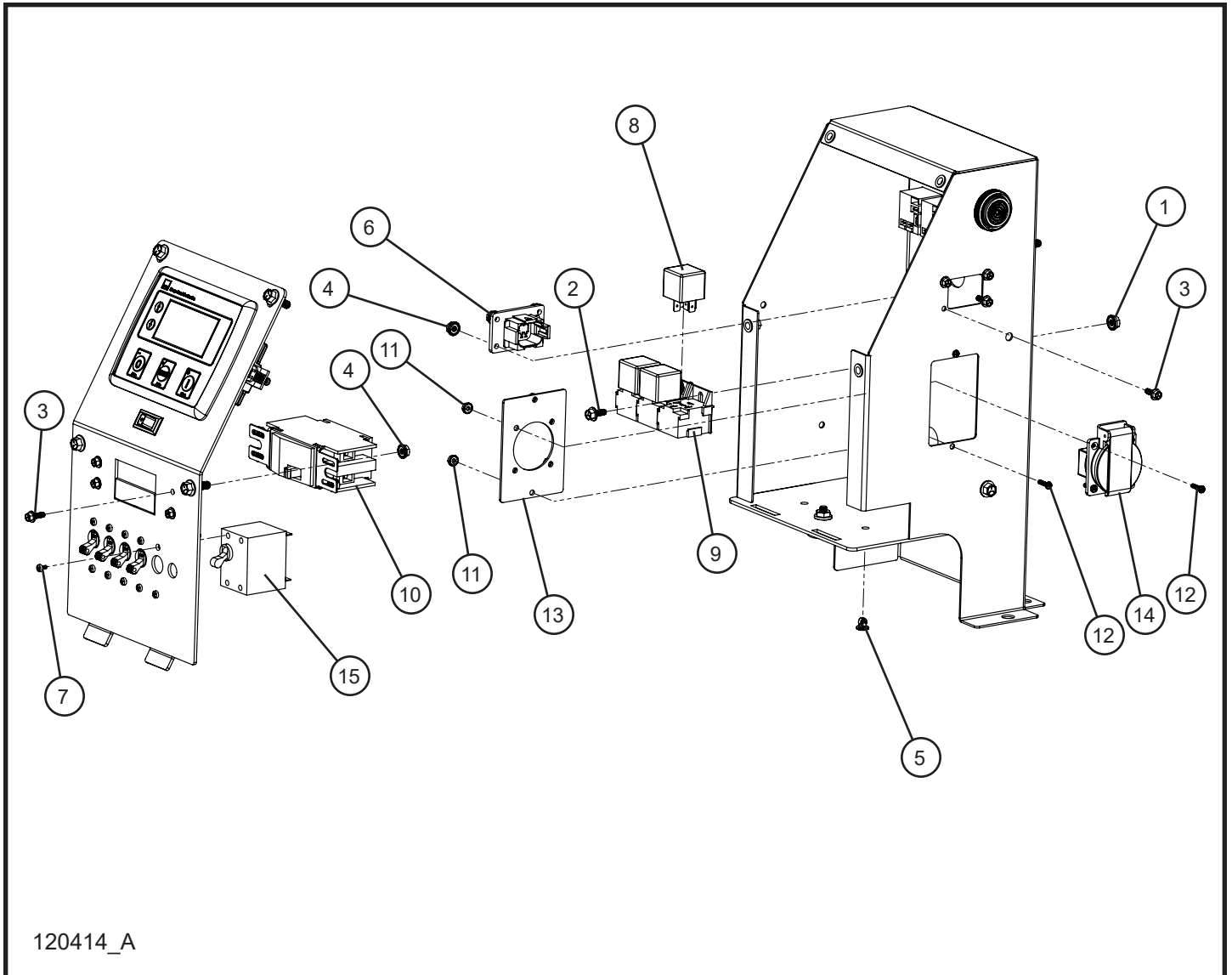
NIGHT-LITE™ GR-SERIES

SN 25-000001 and UP

3.5 - Control Box (60Hz) Main Breaker and Twistlock Group

Item	Part No.	Part Description	Qty.
1	106318	LOW VOLTAGE INSULATOR 1-1/4", 1/4-20	1
2	116997	25A 120/240V SPDT MAIN BREAKER	1
3	330459	15 AMP DOUBLE POLE CIRCUIT BREAKER	1
4	653102	30A 125-250V TWISTLOCK RECEPTACLE	1
5	124199P	TWIST LOCK OUTLET MOUNTING PLATE NLGR AC 240V	1
6	116957	8 WAY FLANGE RECEPTACLE	1
7	118231	30/40 AMP 12V PLUG IN RELAY	3
8	118230	SINGLE RELAY BLOCK WITH MOUNTING TAB	3
9	057000	1/4-20 HEX SERRATED FLANGE NUT	1
10	122452	1/4-20 X 1/2 HEX SERRATED FLANGE BOLT W/ THREAD LOCK	1
11	122454	1/4-20 X 1-1/2 STUD W/ THREAD LOCK	1
12	044004	#6-32 KEPS HEX NUT	4
13	057004	#10-24 HEX SERRATED FLANGE LOCKNUT	3
14	056022	#10-24 x 1/2 HEX SERRATED FLANGE SCREW	3
15	056006	#8-32 x 1/2 HEX SERRATED FLANGE SCREW	10
16	057003	#8-32 HEX SERRATED FLANGE LOCKNUT	4
17	022137	PUSH BUTTON ZIP TIE MOUNT	1
18	041018	#6-32 X 1/4 PH-ROUND HEAD MS PL	2
NS	118469	BREAKER AND GFCI OUTLET NLGR AIR-COOLED WIRE KIT	1
NS	105844	15A MINI FUSE	1
NS	102571	2A 250V FUSE	2
NS	123144	WIRE KIT BREAKER & TWIST LOCK NLGR AC 240V	1
NS	124194	SCHEMATIC DEEP SEA LSC NLGR AIR-COOLED 240 VOLT	1
NS	123253	HARNES CONTROL BOX DEEP SEA 1 NL GR AIR-COOLED	1

3.6 - Control Box (50Hz) Main Breaker and Schuko Group



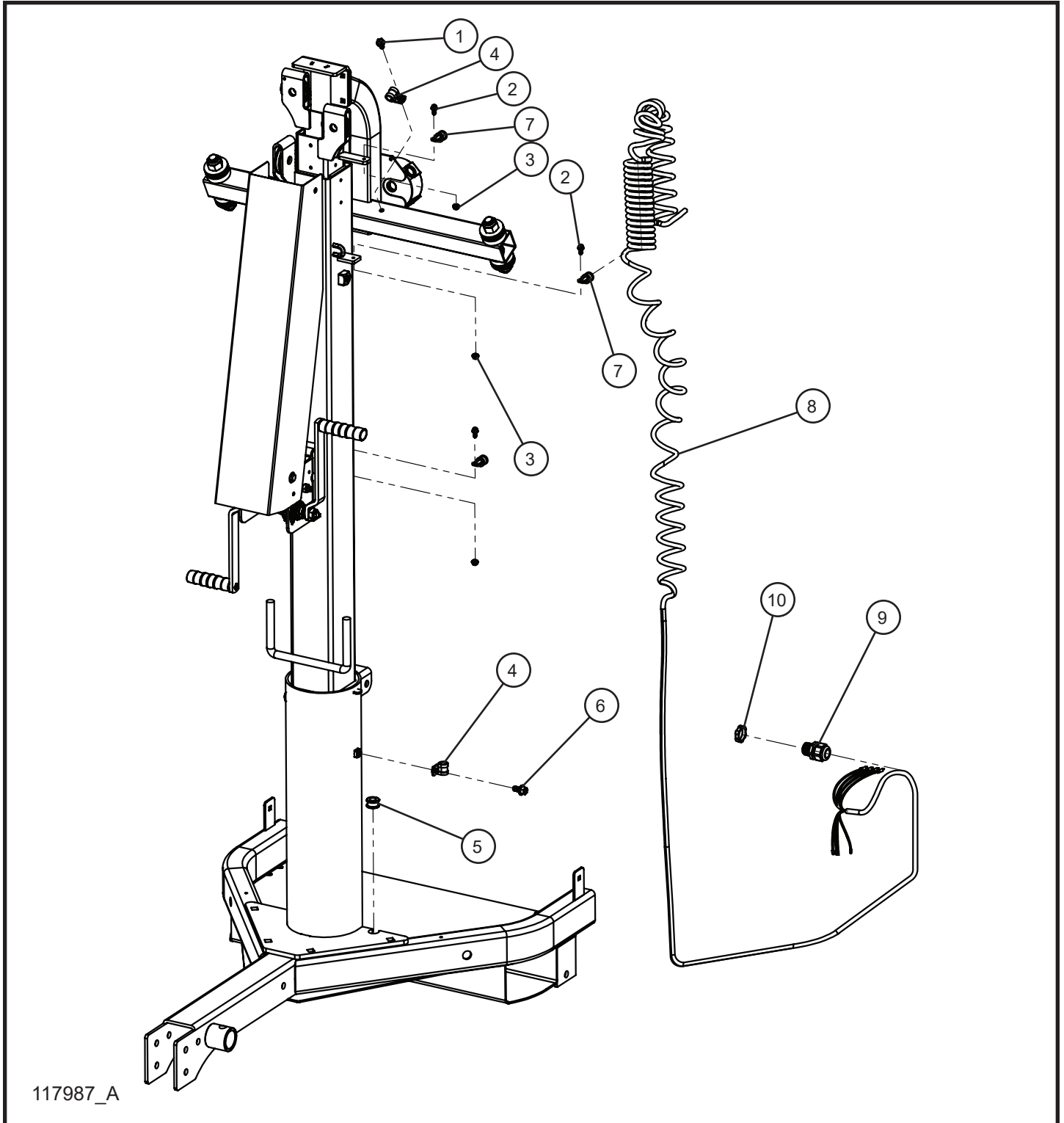
NIGHT-LITE™ GR-SERIES

SN 25-000001 and UP

3.6 - Control Box (50Hz) Main Breaker and Schuko Group

Item	Part No.	Part Description	Qty.
1	057004	#10-24 HEX SERRATED FLANGE LOCKNUT	3
2	056022	#10-24 x 1/2 HEX SERRATED FLANGE SCREW	3
3	056006	#8-32 x 1/2 HEX SERRATED FLANGE SCREW	8
4	057003	#8-32 HEX SERRATED FLANGE LOCKNUT	8
5	022137	PUSH BUTTON ZIP TIE MOUNT	1
6	116957	8 WAY FLANGE RECEPTACLE	1
7	041018	#6-32 x 1/4 PH-ROUND HEAD	2
8	118231	30/40 AMP 12V PLUG IN RELAY	3
9	118230	SINGLE RELAY BLOCK WITH MOUNTING TAB	3
10	113085	15 AMP 120/240V DPST MAIN BREAKER	1
11	044004	#6-32 KEPS HEX NUT	6
12	100029	#6-32 x 1/2 PH-ROUND HEAD	6
13	112681P	PLATE ADAPTER SHUKO OUTLET	1
14	650485	RECEPTACLE SCHUKO (EURO) WATERPROOF	1
15	330459	15 AMP DOUBLE POLE CIRCUIT BREAKER	1
NS	118427	BREAKER AND SCHUKO OUTLET NLGR AIR-COOLED WIRE KIT	1
NS	105844	15A MINI FUSE	1
NS	102571	2A 250V FUSE	2
NS	120504	SCHEMATIC DEEP SEA LSC NLGR AC INTERNATIONAL	1
NS	118376	SCHEMATIC DEEP SEA LSC NL GR-SERIES AIR-COOLED	1
NS	123253	HARNES CONTROL BOX DEEP SEA 1 NL GR AIR-COOLED	1

3.7 - Teledyne Tower Cord



117987_A

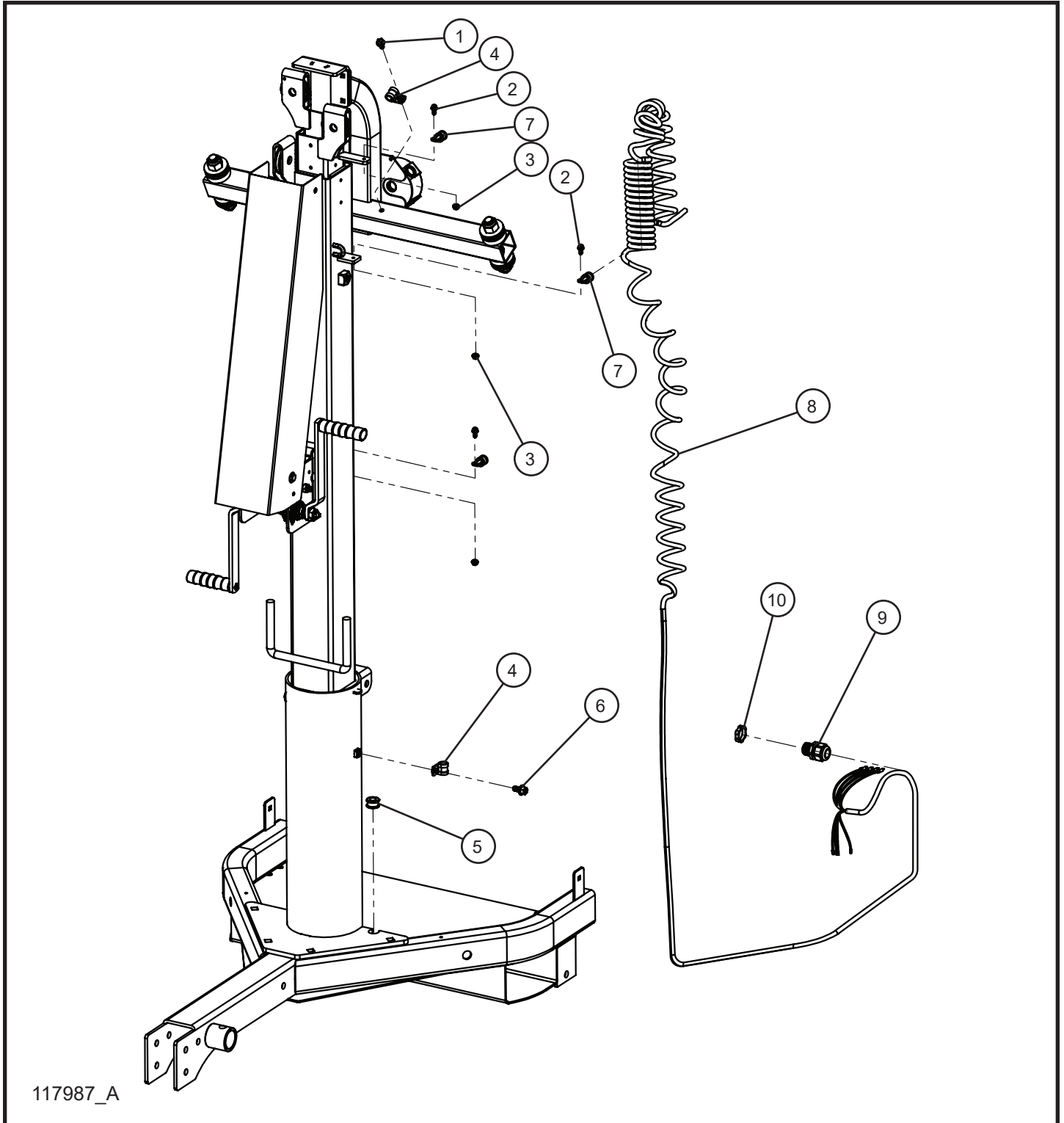
NIGHT-LITE™ GR-SERIES

SN 25-000001 and UP

3.7 - Teledyne Tower Cord

Item	Part No.	Part Description	Qty.
1	041070	1/4-20 x 3/4 SLOTTED HEX WASHER HEAD MACHINE SCREW	1
2	056002	1/4-20 x 3/4 HEX SERRATED FLANGE SCREW	2
3	057000	1/4-20 HEX SERRATED FLANGE NUT	2
4	022018	#8 CUSH CLAMP	2
5	118289	7/8 OD x 9/16 ID x 3/8 THICK PANEL GROMMET	1
6	056009	3/8-16 x 3/4 HEX SERRATED	1
7	022022	#8 CUSH CLAMP 1/4 HOLE	3
8	117988	TOWER CORD ASSEMBLY NL GR-SERIES AIR-COOLED	1
	120373	TOWER CORD ASSEMBLY NL GR-SERIES AIR-COOLED INT'L	1
9	114886	CORD GRIP 1/2" NYLON BLACK	1
10	022035	1/2 CORD GRIP NUT	1
NS	102624	2 TERMINAL PORT LEVER LOCK	4
NS	102622	5 TERMINAL PORT LEVER LOCK	2
NS	102623	3 TERMINAL PORT LEVER LOCK	2
NS	118374	SCHEMATIC 16/8 TOWER CORD NL GR-SERIES AIR-COOLED	1
NS	120505	SCHEMATIC 16/8 TOWER CORD NLGR AIR-COOLED INT'L	1
NS	118136	16 AWG GROUND GREEN WIRE x 3.00	1

3.8 - Philatron Tower Cord



117987_A

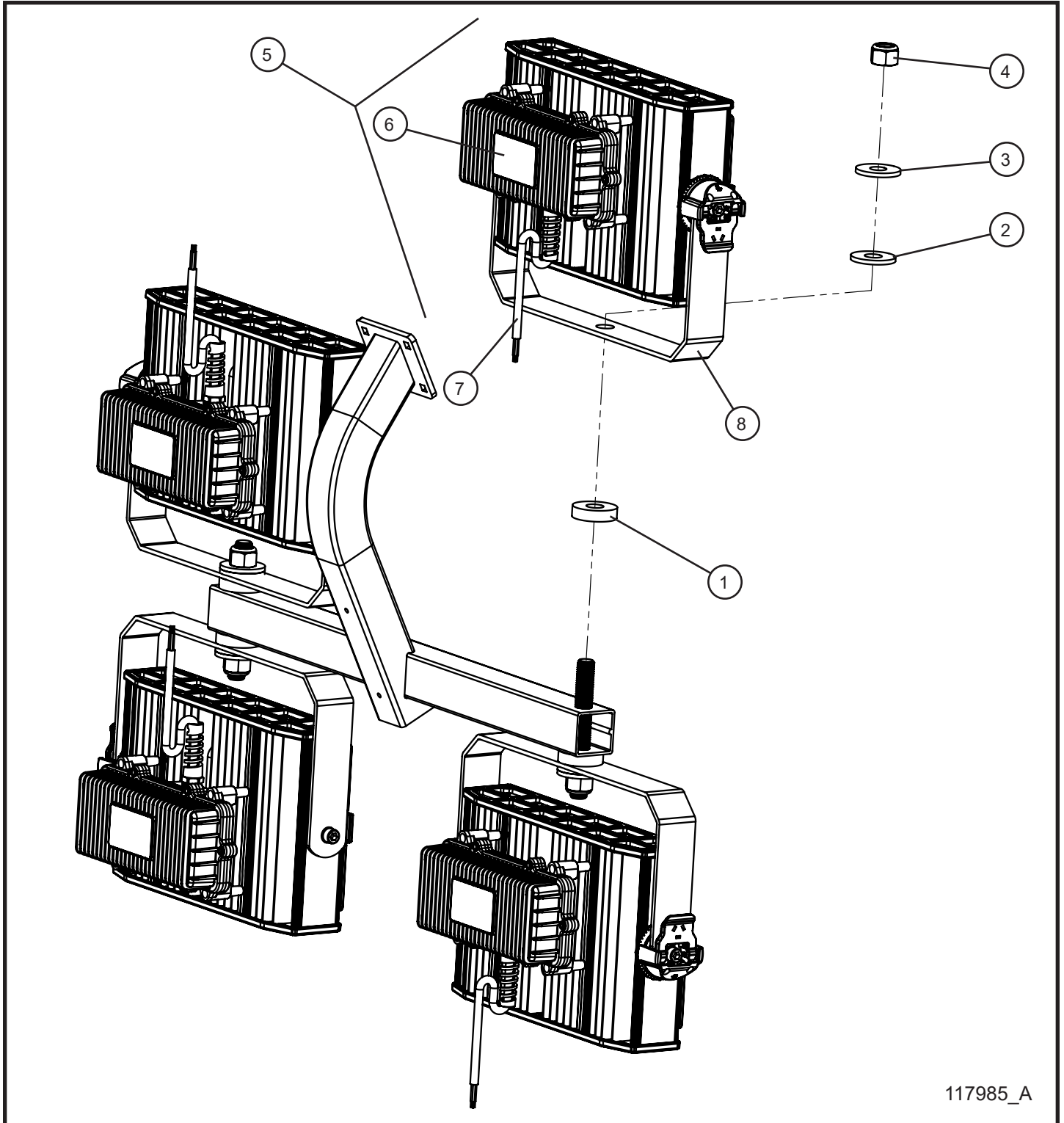
NIGHT-LITE™ GR-SERIES

SN 25-000001 and UP

3.8 - Philatron Tower Cord

Item	Part No.	Part Description	Qty.
1	041070	1/4-20 x 3/4 SLOTTED HEX WASHER HEAD MACHINE SCREW	1
2	056002	1/4-20 x 3/4 HEX SERRATED FLANGE SCREW	2
3	057000	1/4-20 HEX SERRATED FLANGE NUT	2
4	022016A	#6 CUSH CLAMP	2
5	118289	7/8 OD x 9/16 ID x 3/8 THICK PANEL GROMMET	1
6	056021	3/8-16 x 5/8 HEX SERRATED	1
7	022016	#6 CUSH CLAMP 1/4 HOLE	3
8	124522	TOWER CORD ASSEMBLY NL GR-SERIES AIR-COOLED	1
9	114886	CORD GRIP 1/2" NYLON BLACK	1
10	022035	1/2 CORD GRIP NUT	1
NS	102624	2 TERMINAL PORT LEVER LOCK	4
NS	102622	5 TERMINAL PORT LEVER LOCK	2
NS	118374	SCHEMATIC 16/8 TOWER CORD NL GR-SERIES AIR-COOLED	1
NS	118136	16 AWG GROUND GREEN WIRE x 3.00	1

3.9 - 350W LED Lighting



117985_A

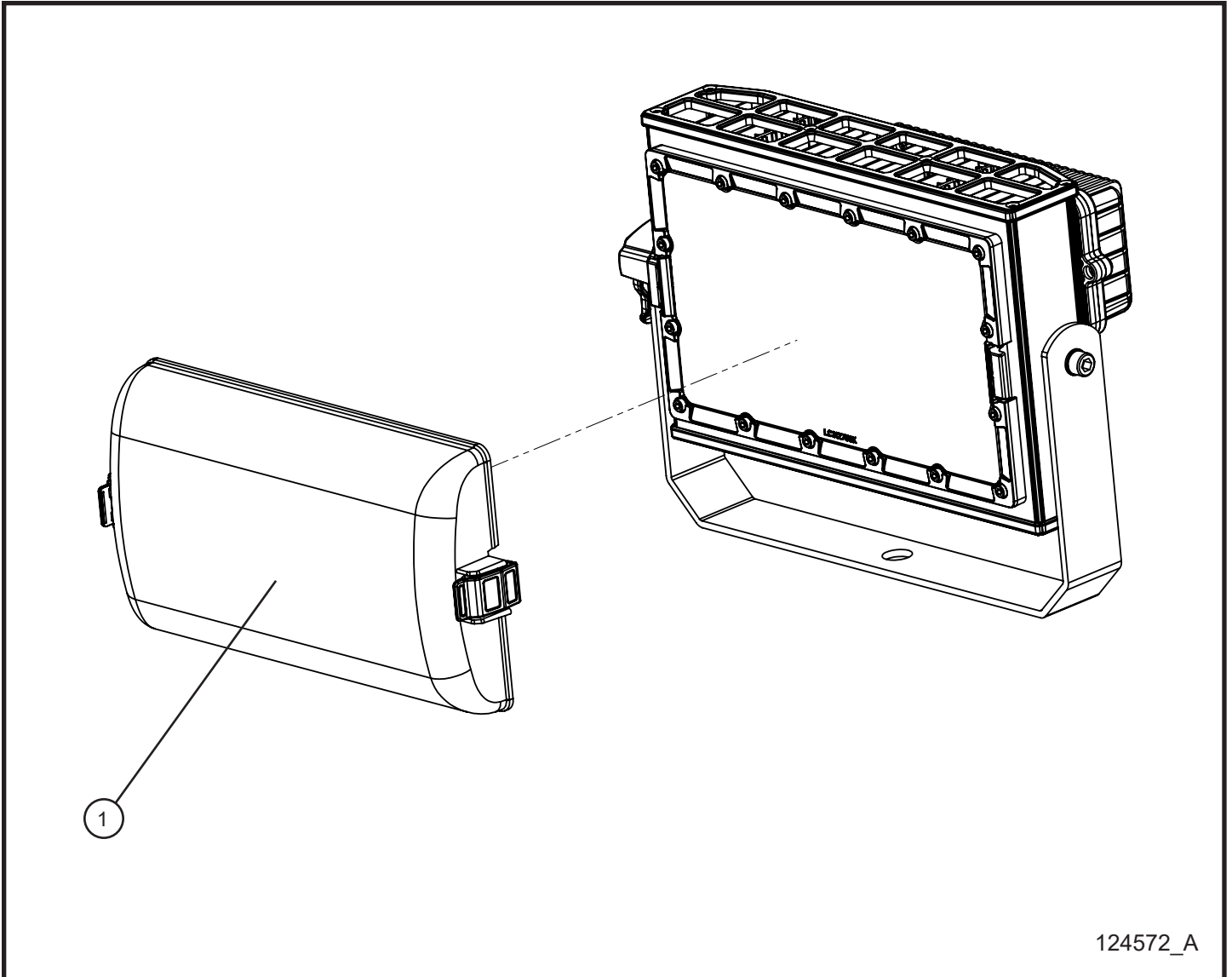
NIGHT-LITE™ GR-SERIES

SN 25-000001 and UP

3.9 - 350W LED Lighting

Item	Part No.	Part Description	Qty.
1	101813	.781 ID x 2 OD x 1/2 HDPE WASHER	4
2	650550	.785" x 2" HDPE WASHER	4
3	047035	3/4 FLAT WASHER	4
4	044058	3/4-10 NYLOCK HEX NUT PL	4
5	123200	LIGHT LED SMD KUM1S-350 350W COMPLETE	4
6	123198	DRIVER KUM1S-350 SMD LED 350W	1
7	122483	AC POWER CORD KUH2S-250/350 & KUM1S-250/350	1
8	123197	KUM1S-350 YOKE AND HARDWARE KIT	1

3.10 - 350W LED Light Diffuser



124572_A

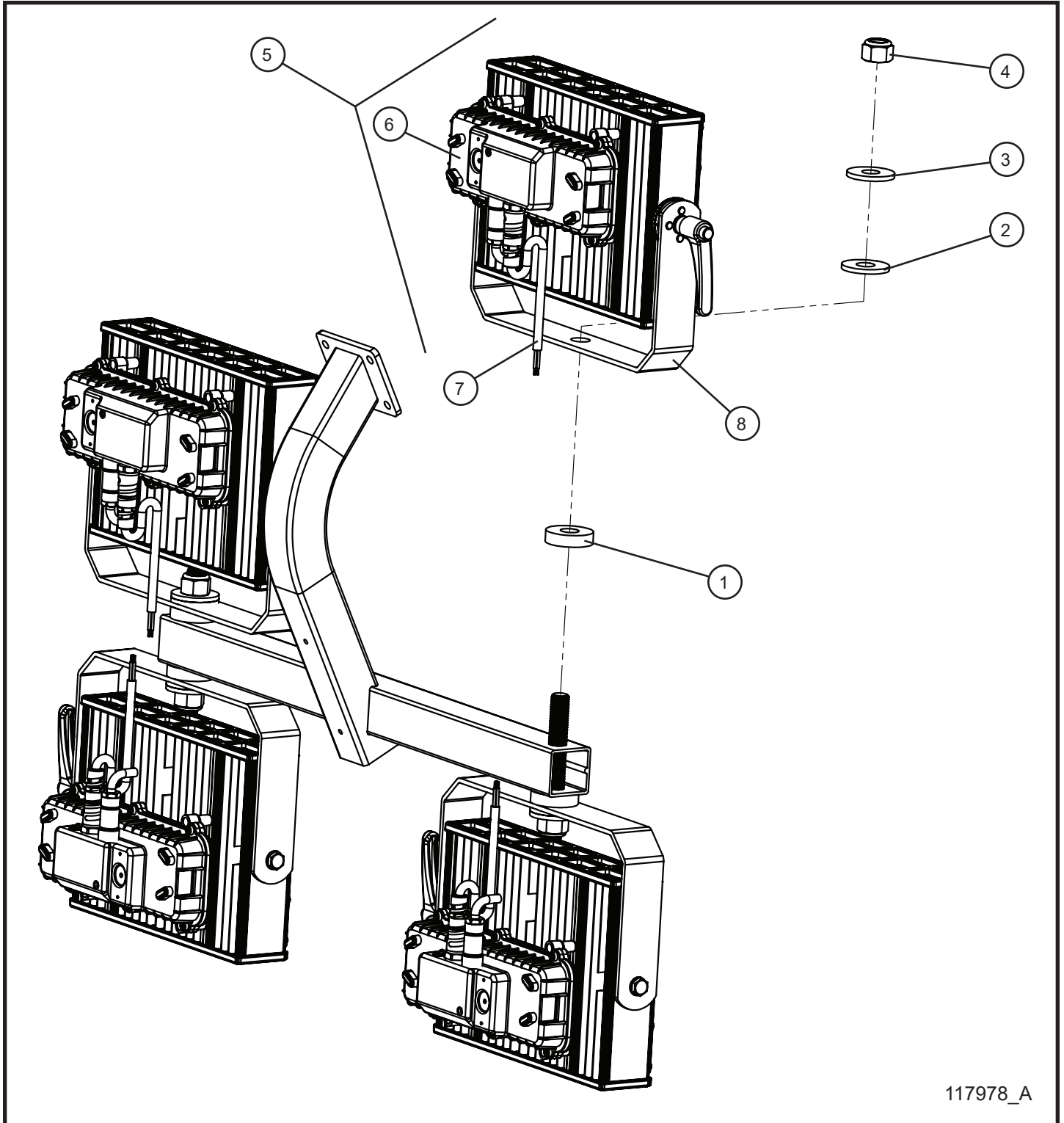
NIGHT-LITE™ GR-SERIES

SN 25-000001 and UP

3.10 - 350W LED Light Diffuser

Item	Part No.	Part Description	Qty.
1	123199	DIFFUSER LED LIGHT KUM1S-350	1

3.11 - 250W LED Lighting



117978_A

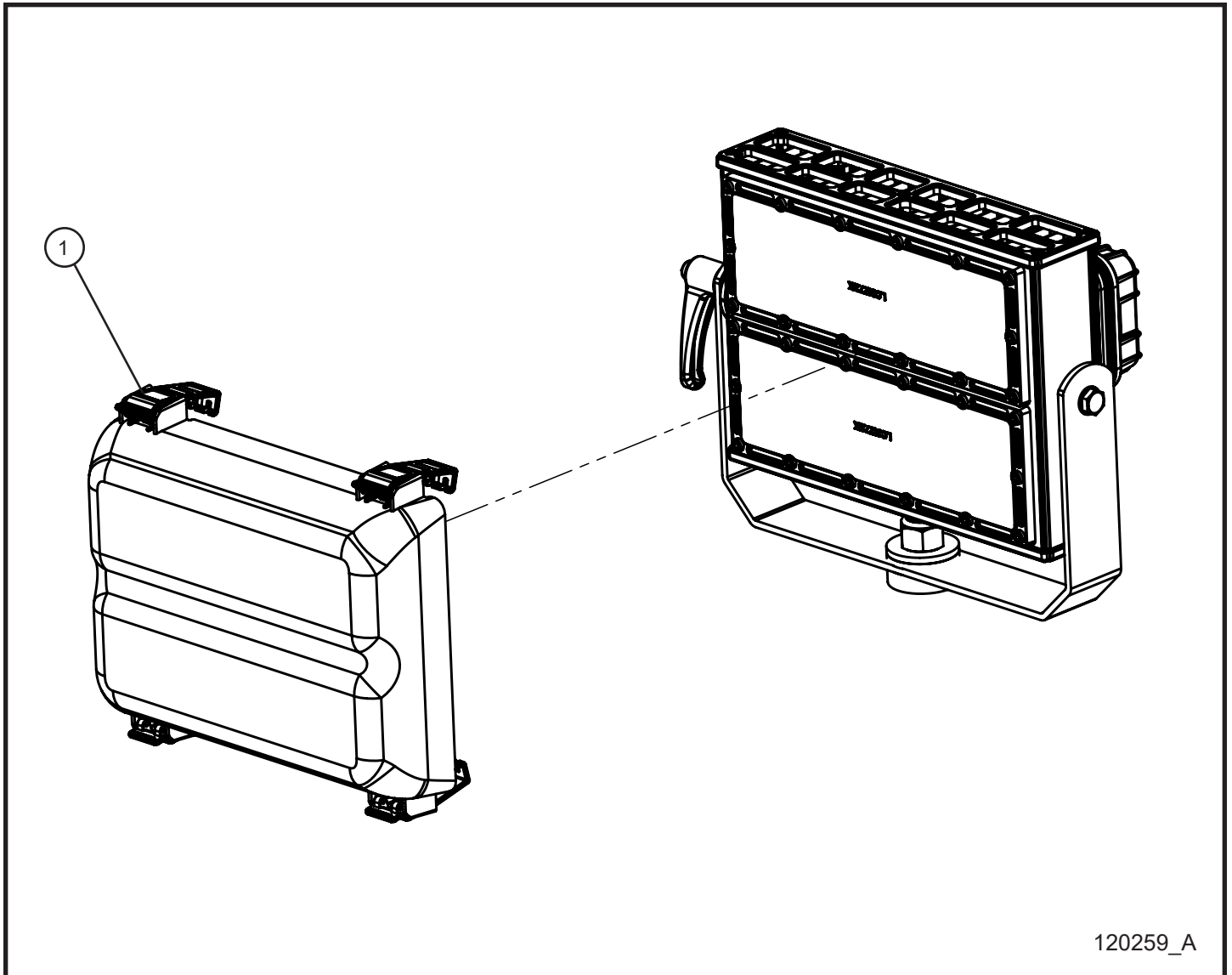
NIGHT-LITE™ GR-SERIES

SN 25-000001 and UP

3.11 - 250W LED Lighting

Item	Part No.	Part Description	Qty.
1	101813	.781 ID x 2 OD x 1/2 HDPE WASHER	4
2	650550	.785" x 2" HDPE WASHER	4
3	047035	3/4 FLAT WASHER	4
4	044058	3/4-10 NYLOCK HEX NUT PL	4
5	116980	LIGHT LED SMD 250W	4
6	122481	DRIVER KUH2S 350 SMD LED 250W	1
7	122483	AC POWER CORD KUH2S-250 AND KUH2S-350	1
8	122484	KUH2S-250 YOKE AND HARDWARE KIT	1

3.12 - 250W LED Light Diffuser



120259_A

NIGHT-LITE™ GR-SERIES

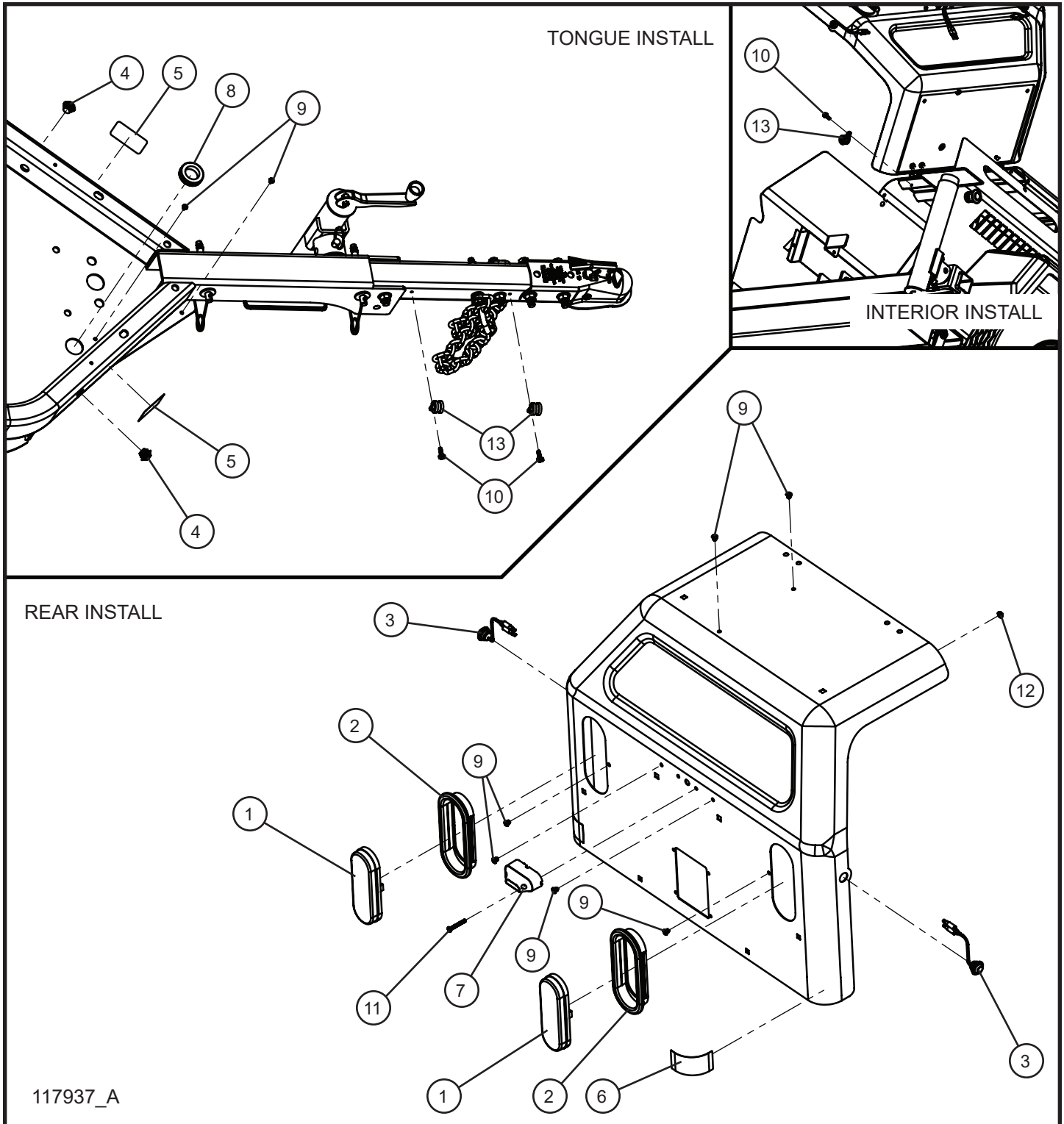
SN 25-000001 and UP

3.12 - 250W LED Light Diffuser

Item	Part No.	Part Description	Qty.
1	118418	DIFFUSER COVER LIGHT LED SMD 250W	1

*NS - NOT SHOWN

3.13 - Trailer Lighting



117937_A

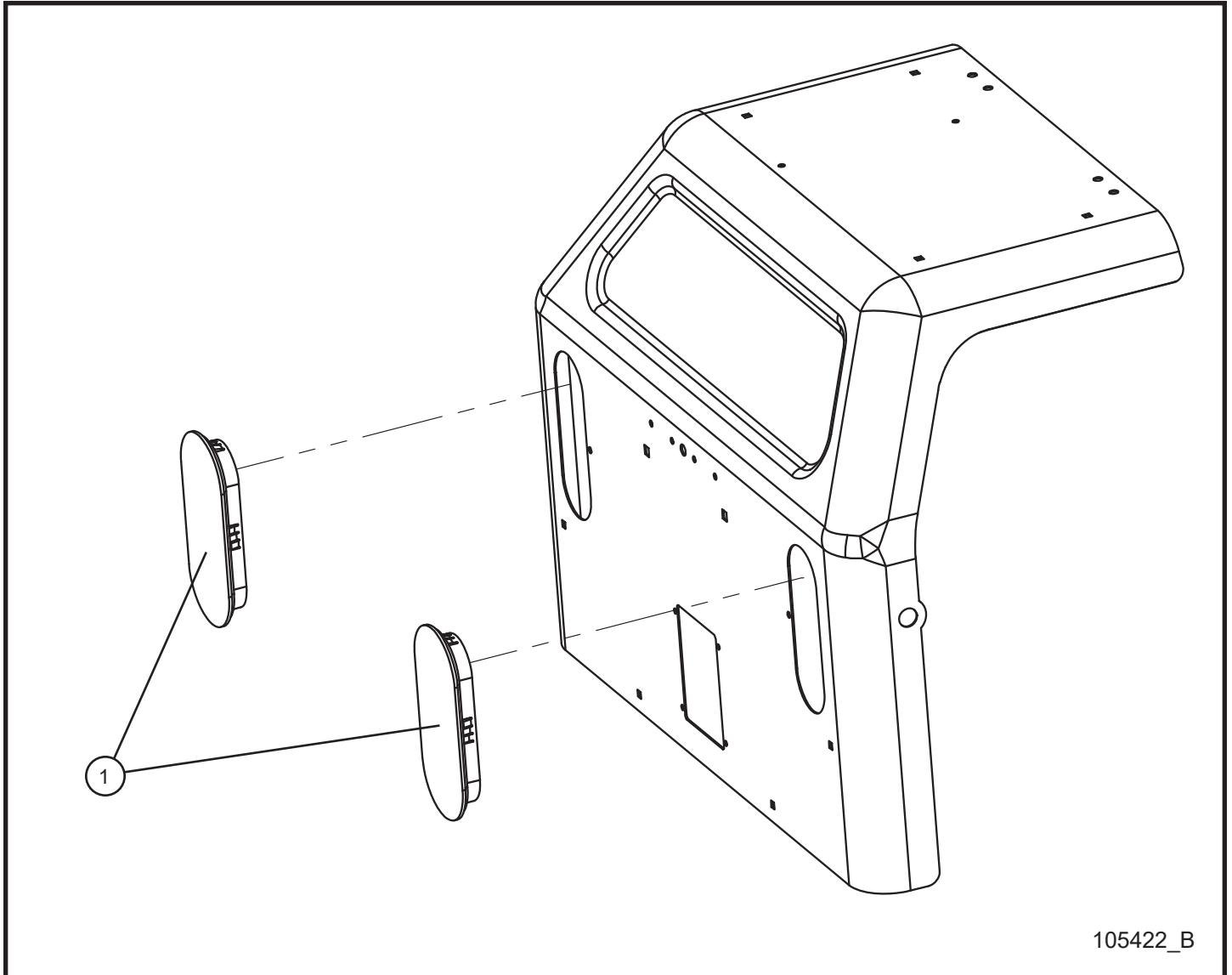
NIGHT-LITE™ GR-SERIES

SN 25-000001 and UP

3.13 - Trailer Lighting

Item	Part No.	Part Description	Qty.
1	102721	TAIL LIGHT LED	2
2	102825	GROMMET 6.50 OVAL LAMP	2
3	106211	MARKER LIGHT RED BULLET LED	2
4	106212	MARKER LIGHT AMBER BULLET LED	2
5	114884	REFLECTOR DECAL AMBER 2.75 x 1.75	2
6	114885	REFLECTOR DECAL RED 4.313 x 1.688	2
7	115116	LICENSE PLATE LIGHT LED	1
8	650542	1 1/4 ID x 1 1/2 OD GROMMET	1
9	022137	PUSH BUTTON	8
10	041070	1/4 x 3/4 SL-HEX WASHER HEAD	4
11	041040	#10-24 x 1 1/2 PH-ROUND HEAD	2
12	057004	#10-24 SERRATED FLANGE HEX LOCKNUT	2
13	022014	#10 CUSH CLAMP	3
NS	022021	#10 CUSH CLAMP	2
NS	105408	GROMMET NUT DOUBLE SPLIT SQUARE HEAD	2
NS	118097	PL3 TAIL LIGHT PIGTAIL	2
NS	118058	TAIL LIGHT HARNESS FRONT NIGHT-LITE GR-SERIES	1
NS	118059	TAIL LIGHT HARNESS REAR NIGHT-LITE GR-SERIES	1
NS	118378	SCHEMATIC TAIL LIGHT HARNESS NL GR-SERIES AIR COOLED	1

3.14 - Tail Light Hole Covers



105422_B

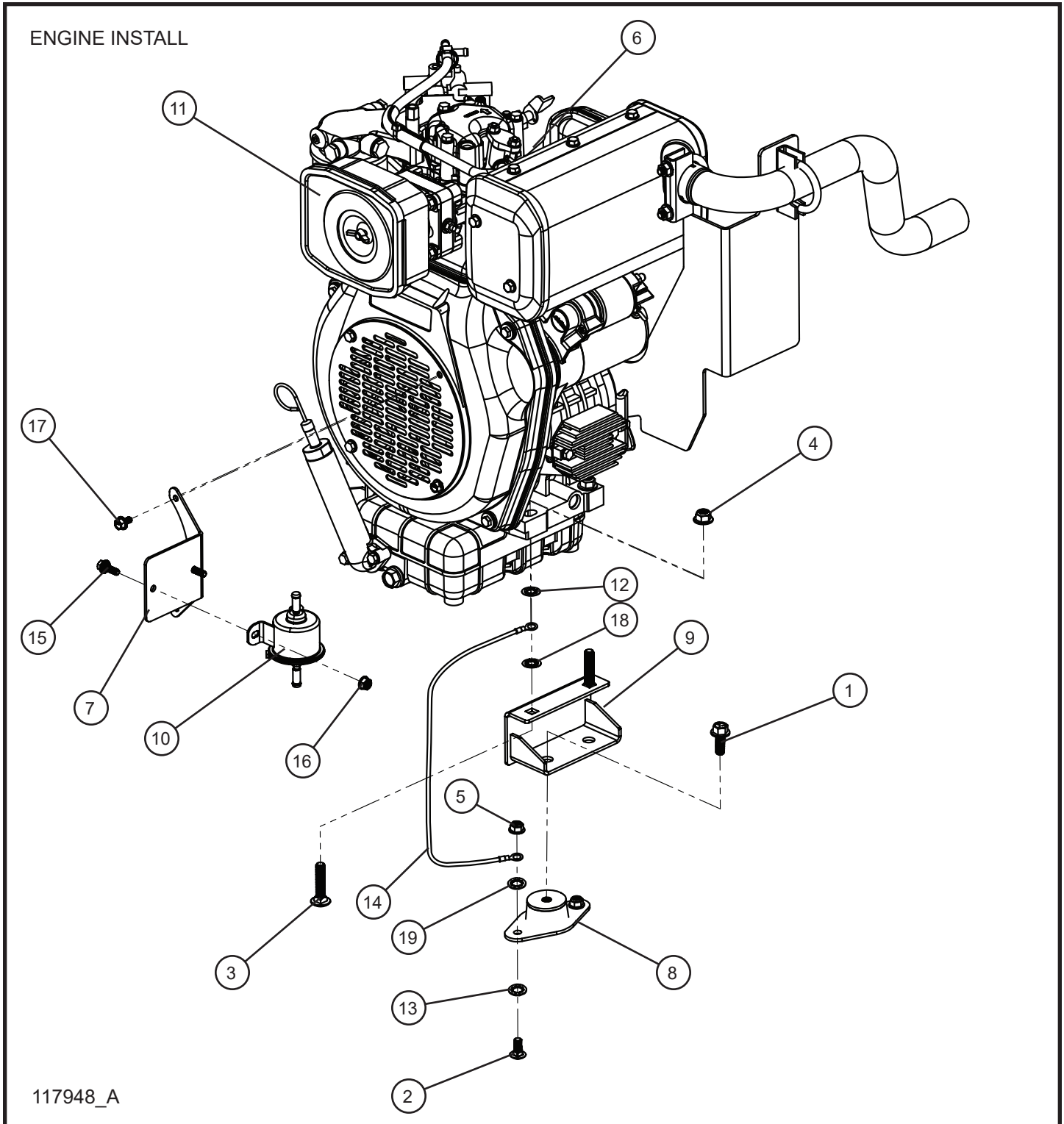
NIGHT-LITE™ GR-SERIES

SN 25-000001 and UP

3.14 - Tail Light Hole Covers

Item	Part No.	Part Description	Qty.
1	118601	TAILLIGHT PLASTIC FILLER PLUG (2 SET)	1

4.1 - Yanmar L70W Air-Cooled Diesel Engine (1 of 2)



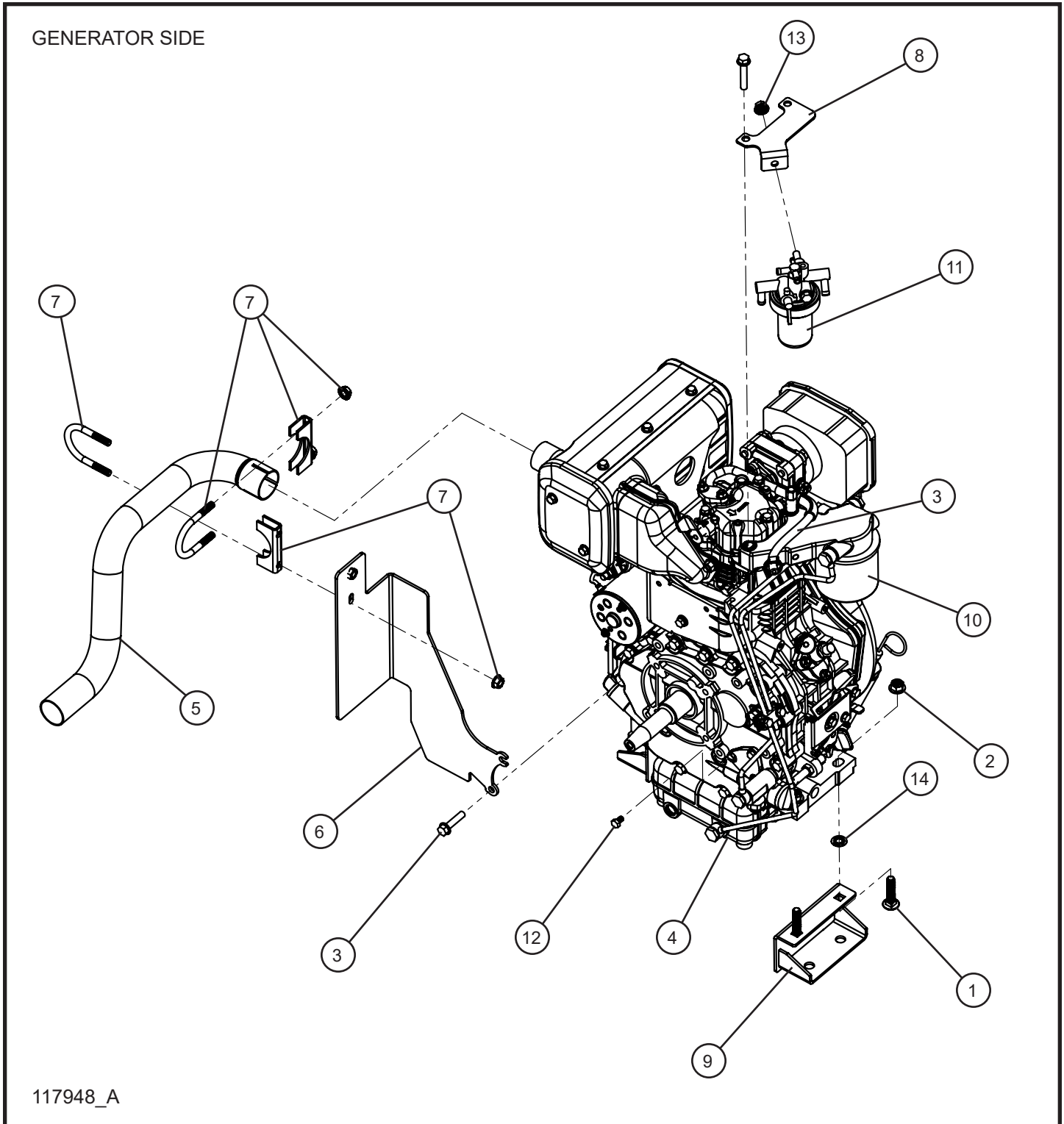
NIGHT-LITE™ GR-SERIES

SN 25-000001 and UP

4.1 - Yanmar L70W Air-Cooled Diesel Engine (1 of 2)

Item	Part No.	Part Description	Qty.
1	056013	3/8-16 x 1 3/4 SERRATED FLANGE HEX SCREW	2
2	053020	5/16-18 x 1 CARRIAGE BOLT	4
3	053031	3/8-16 x 1 3/4 CARRIAGE BOLT	4
4	057007	3/8-16 HEX NYLOCK FLANGE NUT	4
5	057008	5/16-18 HEX NYLOCK FLANGE NUT	4
6	120889	ENGINE YANMAR L70W AIR-COOLED 60 Hz T4F KIT	1
7	117737P	FUEL PUMP MOUNT YANMAR L70	1
8	107028	ENGINE ISOLATOR LIGHT DUTY MOUNT	2
9	117719P	MOUNT ENGINE WELDMENT YANMAR L70	2
10	118329	YANMAR FUEL PUMP	1
11	118089	YANMAR AIR FILTER	1
12	045218	3/8 PUSH NUT	2
13	045217	5/16 PUSH NUT	4
14	114800	GROUND WIRE 10 AWG	1
15	056002	1/4-20 x 3/4 HEX SERRATED FLANGE SCREW	2
16	057001	1/4-20 HEX NYLOCK FLANGE NUT	2
17	056003	M6-1.0 x 12 HEX HEAD FLANGE BOLT	2
18	043070	3/8 INTL TOOTHLOCK WASHER	1
19	043060	5/16 INTL TOOTHLOCK WASHER	1
NS	118379	SCHEMATIC YANMAR L70W NL GR-SERIES AIR COOLED	1
NS	124242	SCHEMATIC ELECTRIC FAN ADAPTER HARNESS NLGR AC	1
NS	124437	YANMAR 20AMP FUSE REPLACEMENT SERVICE KIT	1
NS	105870	20AMP MINI FUSE	1
NS	123160	WIRE HARNESS ADAPTER NLGR AC 3KW ELECTRIC FAN	1
NS	118094	HARNESS ENGINE YANMAR L70W	1

4.1 - Yanmar L70W Air-Cooled Diesel Engine (2 of 2)



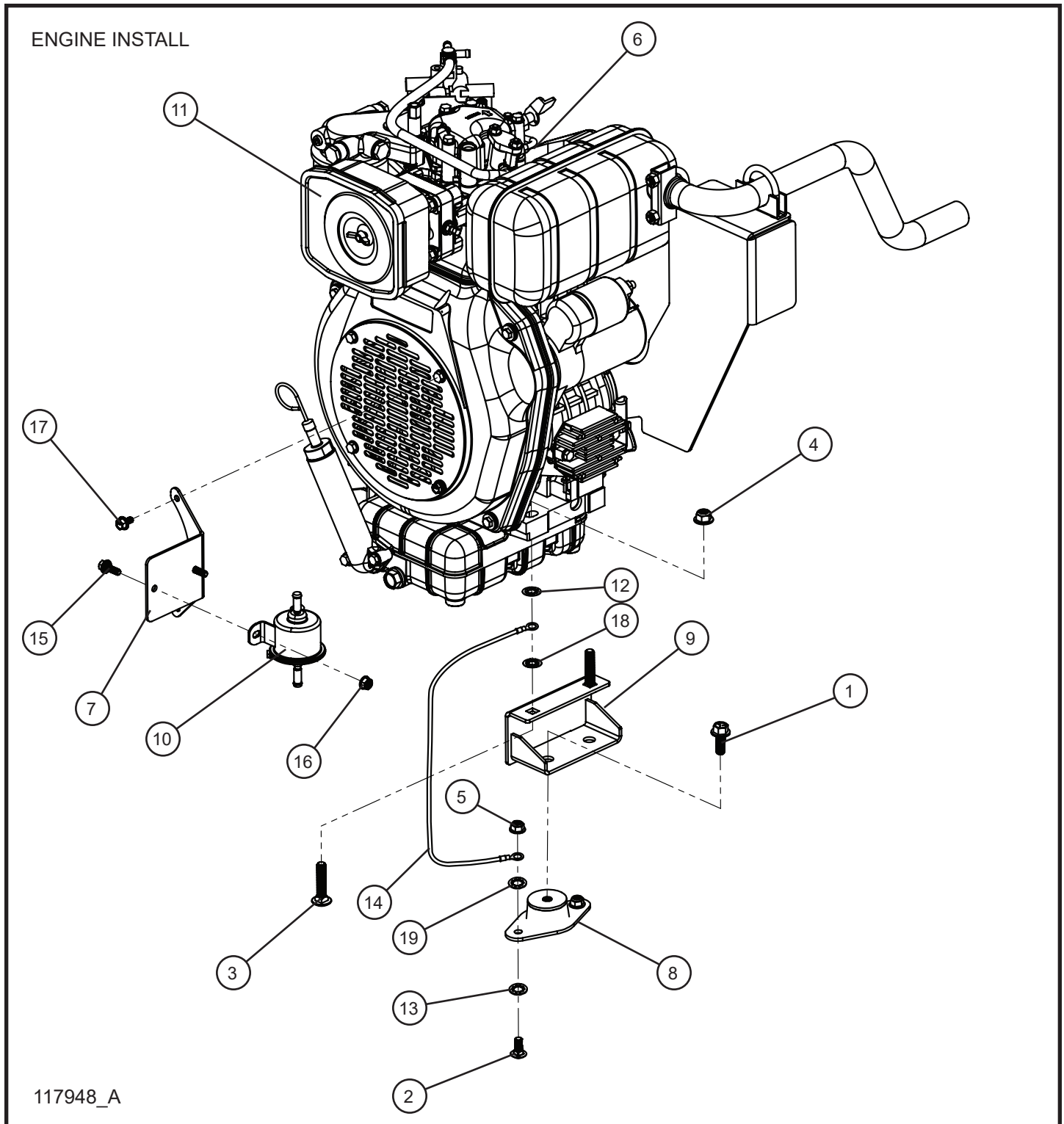
NIGHT-LITE™ GR-SERIES

SN 25-000001 and UP

4.1 - Yanmar L70W Air-Cooled Diesel Engine (2 of 2)

Item	Part No.	Part Description	Qty.
1	053031	3/8-16 x 1 3/4 CARRIAGE BOLT	4
2	057007	3/8-16 HEX NYLOCK FLANGE NUT	4
3	081001	HOSE 3/16 FUEL LINE x 14.00 (FILTER TO ENGINE)	1
4	120889	ENGINE YANMAR L70W AIR-COOLED 60 Hz T4F KIT	1
5	116998	EXHAUST PIPE YANMAR L70W	1
6	120705P	MOUNT BRACKET TAILPIPE YANMAR L70W NLGR	1
7	112211	CLAMP MUFFLER 1-5/8 EXHAUST 1-5/8 EXHAUST	1
8	117870P	FUEL FILTER MOUNT YANMAR L70	1
9	117719P	MOUNT ENGINE WELDMENT YANMAR L70	2
10	110524	YANMAR OIL FILTER	1
11	118088	YANMAR FUEL FILTER	1
12	042018	M6 x 1.0mm x 1mm HEX HEAD BOLT	2
13	059000	M8 x 1.25 SERRATED HEX FLANGE NUT	1
14	045218	3/8 PUSH NUT	2
NS	120137	YANMAR GR-SERIES FILTER KIT	1
NS	118094	HARNESS ENGINE YANMAR L70W	1

4.2 - Yanmar L70N (Int'l) Air-Cooled Diesel Engine (1 of 2)



NIGHT-LITE™ GR-SERIES

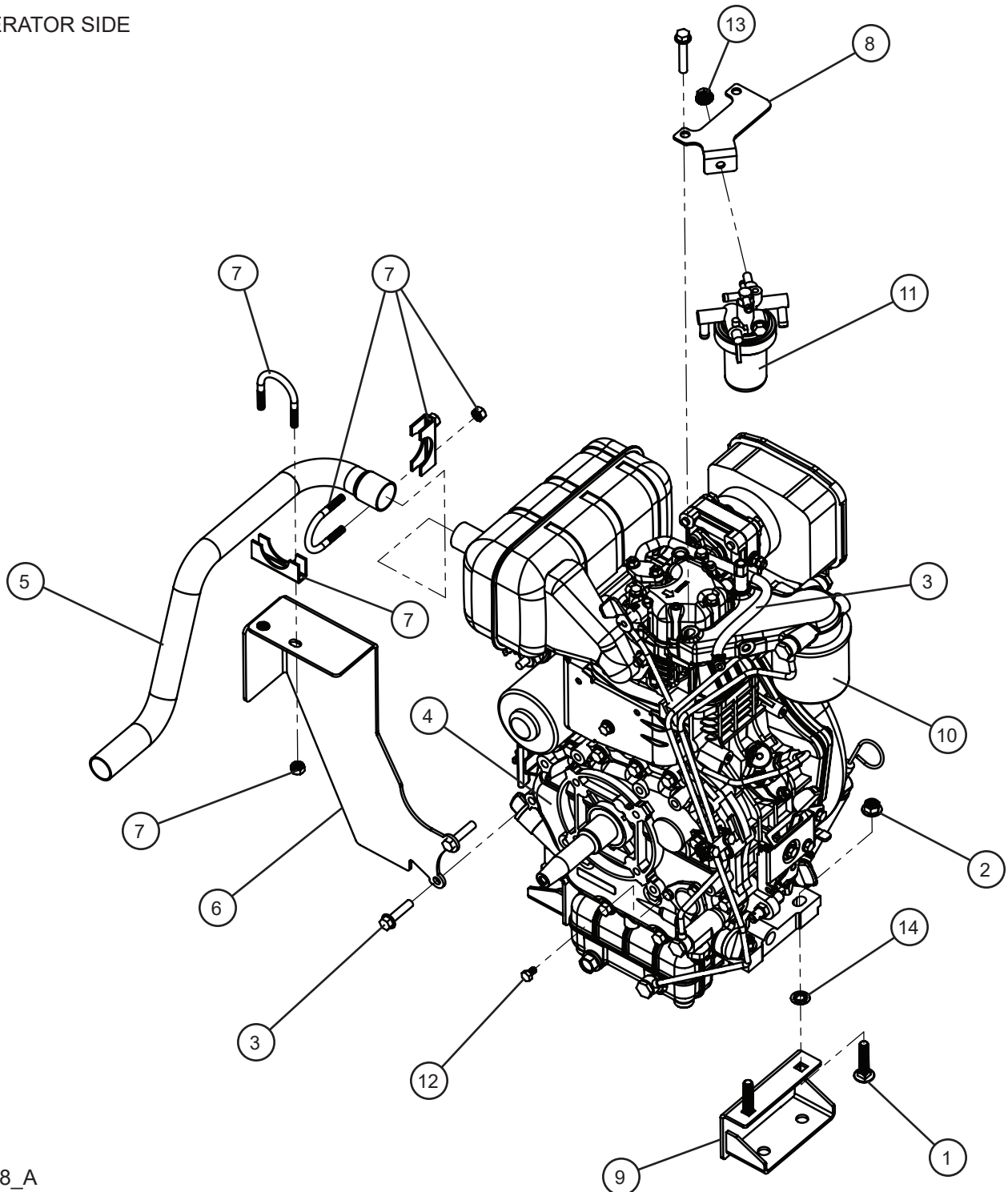
SN 25-000001 and UP

4.2 - Yanmar L70N (Int'l) Air-Cooled Diesel Engine (1 of 2)

Item	Part No.	Part Description	Qty.
1	056013	3/8-16 x 1 3/4 SERRATED FLANGE HEX SCREW	2
2	053020	5/16-18 x 1 CARRIAGE BOLT	4
3	053031	3/8-16 x 1 3/4 CARRIAGE BOLT	4
4	057007	3/8-16 HEX NYLOCK FLANGE NUT	4
5	057008	5/16-18 HEX NYLOCK FLANGE NUT	4
6	124408	ENGINE YANMAR L70N AIR-COOLED 50 Hz INTERNATIONAL KIT	1
	124407	ENGINE YANMAR L70N AIR-COOLED 60 Hz INTERNATIONAL KIT	1
7	117737P	FUEL PUMP MOUNT YANMAR L70	1
8	107028	ENGINE ISOLATOR LIGHT DUTY MOUNT	2
9	117719P	MOUNT ENGINE WELDMENT YANMAR L70	2
10	118329	YANMAR FUEL PUMP	1
11	118089	YANMAR AIR FILTER	1
12	045218	3/8 PUSH NUT	2
13	045217	5/16 PUSH NUT	4
14	114800	GROUND WIRE 10 AWG	1
15	056002	1/4-20 x 3/4 HEX SERRATED FLANGE SCREW	2
16	057001	1/4-20 HEX NYLOCK FLANGE NUT	2
17	056003	M6-1.0 x 12 HEX HEAD FLANGE BOLT	2
18	043070	3/8 INTL TOOTHLOCK WASHER	1
19	043060	5/16 INTL TOOTHLOCK WASHER	1
NS	124496	SCHEMATIC YANMAR L70W NL GR-SERIES AIR COOLED	1
NS	124437	YANMAR 20AMP FUSE REPLACEMENT SERVICE KIT	1
NS	105870	20AMP MINI FUSE	1
NS	123160	WIRE HARNESS ADAPTER NLGR AC 3KW ELECTRIC FAN	1
NS	118094	HARNESS ENGINE YANMAR L70W	1

4.2 - Yanmar L70N (Int'l) Air-Cooled Diesel Engine (2 of 2)

GENERATOR SIDE



117948_A

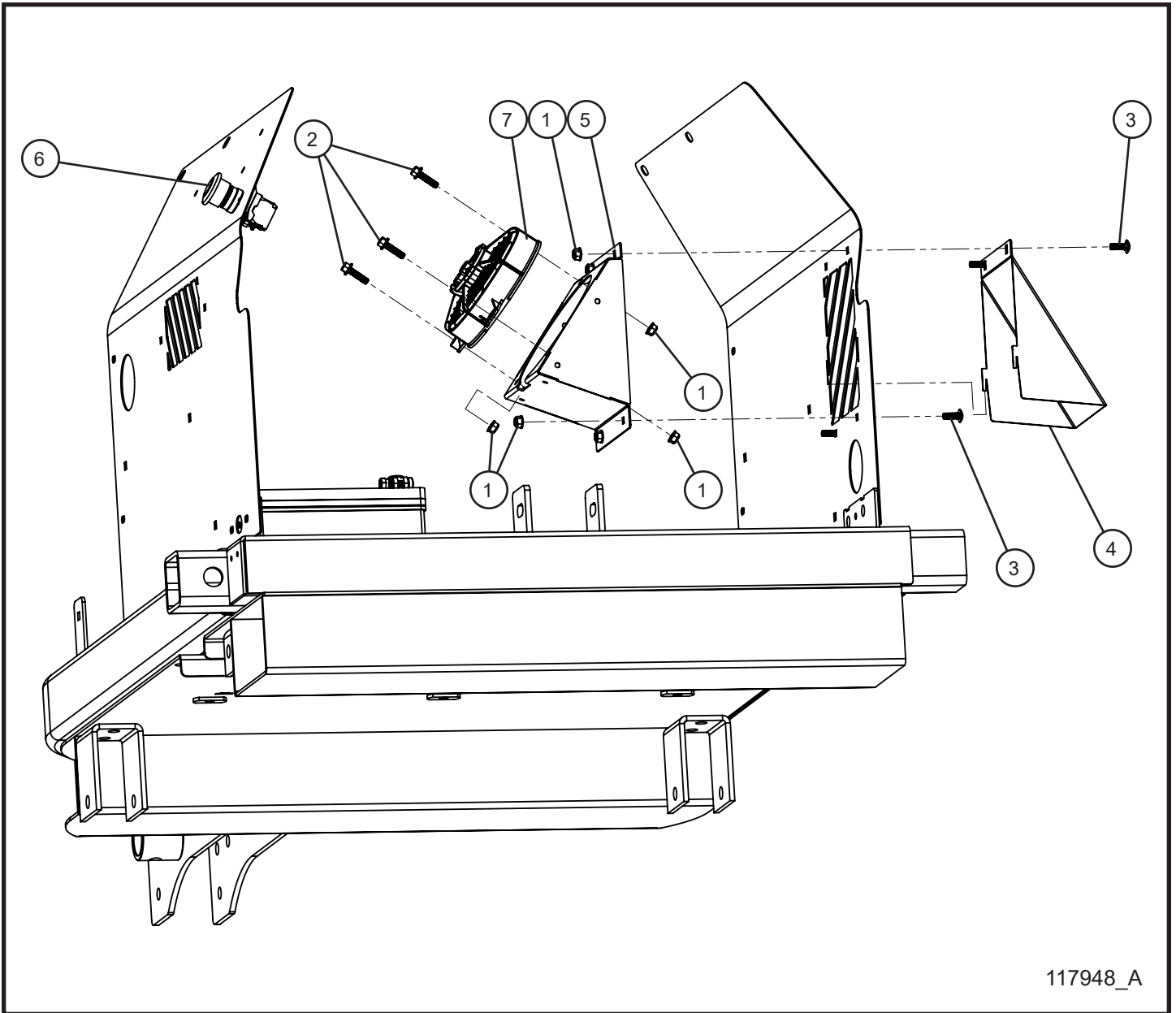
NIGHT-LITE™ GR-SERIES

SN 25-000001 and UP

4.2 - Yanmar L70N (Int'l) Air-Cooled Diesel Engine (2 of 2)

Item	Part No.	Part Description	Qty.
1	053031	3/8-16 x 1 3/4 CARRIAGE BOLT	4
2	057007	3/8-16 HEX NYLOCK FLANGE NUT	4
3	081001	HOSE 3/16 FUEL LINE x 14.00 (FILTER TO ENGINE)	1
4	124408	ENGINE YANMAR L70N AIR-COOLED 50 Hz INTERNATIONAL KIT	1
	124407	ENGINE YANMAR L70N AIR-COOLED 60 Hz INTERNATIONAL KIT	1
5	118415	EXHAUST PIPE YANMAR L70N	1
6	120520P	MOUNT BRACKET TAILPIPE YANMAR L70N NLGR	1
7	922459	CLAMP MUFFLER 1-1/4 EXHAUST	1
8	117870P	FUEL FILTER MOUNT YANMAR L70	1
9	117719P	MOUNT ENGINE WELDMENT YANMAR L70	2
10	110524	YANMAR OIL FILTER	1
11	118088	YANMAR FUEL FILTER	1
12	042018	M6 x 1.0mm x 1mm HEX HEAD BOLT	2
13	059000	M8 x 1.25 SERRATED HEX FLANGE NUT	1
14	045218	3/8 PUSH NUT	2
NS	120137	YANMAR GR-SERIES FILTER KIT	1
NS	118094	HARNESS ENGINE YANMAR L70W	1

4.3 - Engine Cooling Fan and E-Stop Button I



117948_A

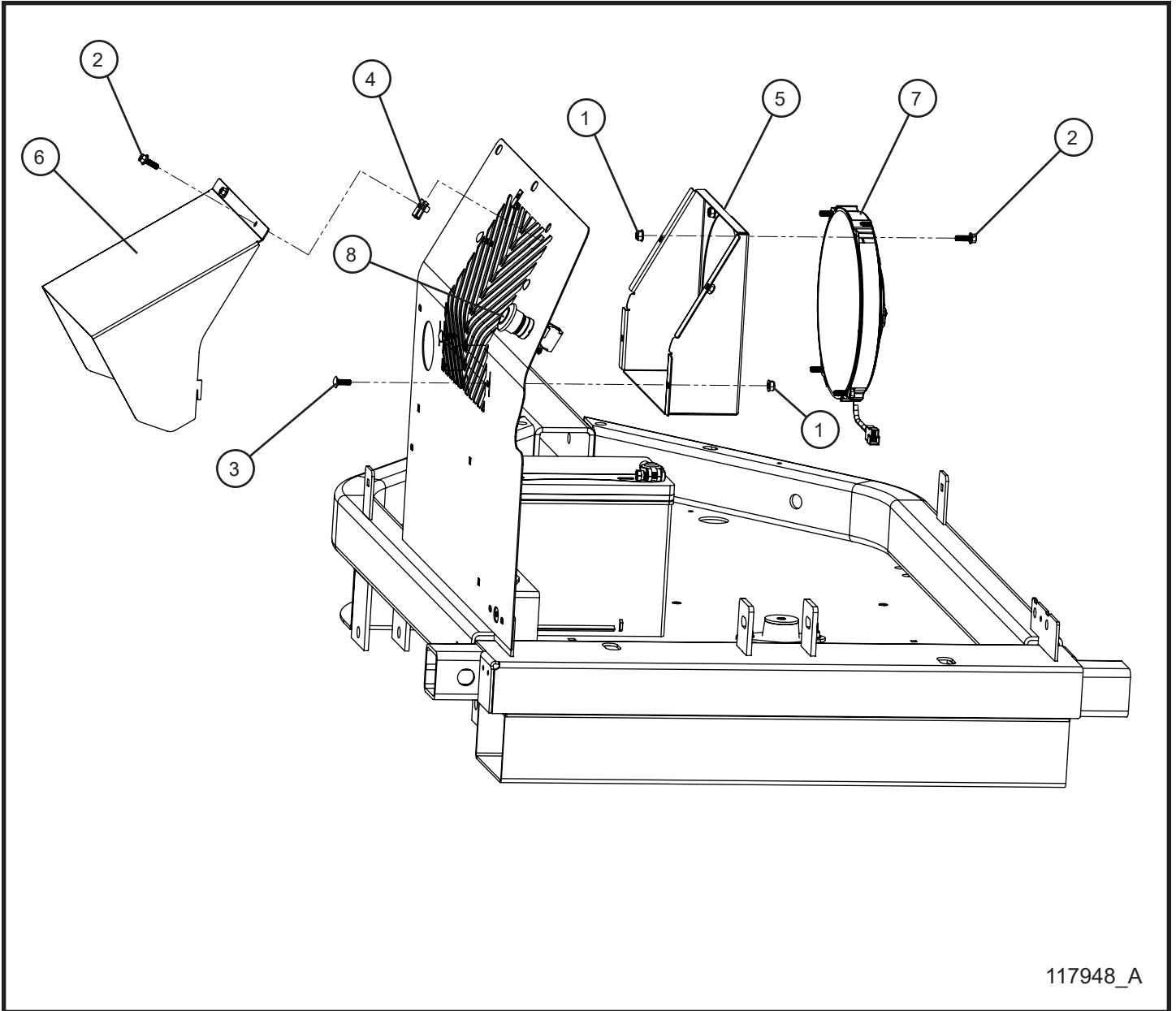
NIGHT-LITE™ GR-SERIES

SN 25-000001 to 25-003161

4.3 - Engine Cooling Fan and E-Stop Button I

Item	Part No.	Part Description	Qty.
1	057001	1/4-20 HEX NYLOCK FLANGE NUT	7
2	056017	1/4-20 x 1 HEX SERRATED FLANGE SCREW	3
3	053006	1/4-20 x 3/4 CARRIAGE BOLT	4
4	117739P	COVER HOT AIR FAN NIGHT-LITE GR-SERIES DIESEL	1
5	117744P	ELECTRIC FAN SHROUD WELDMENT NL GR-SERIES DIESEL	1
6	108912	PUSH-PULL EMERGENCY STOP 40mm W/ 22mm MOUNTING	1
7	118259	ELECTRIC FAN SPAL 5.2 INCH WITH SHROUD	1
NS	124390	NLGR AC 9IN FAN REPLACEMENT SERVICE KIT	1

4.4 - Engine Cooling Fan and E-Stop Button II



117948_A

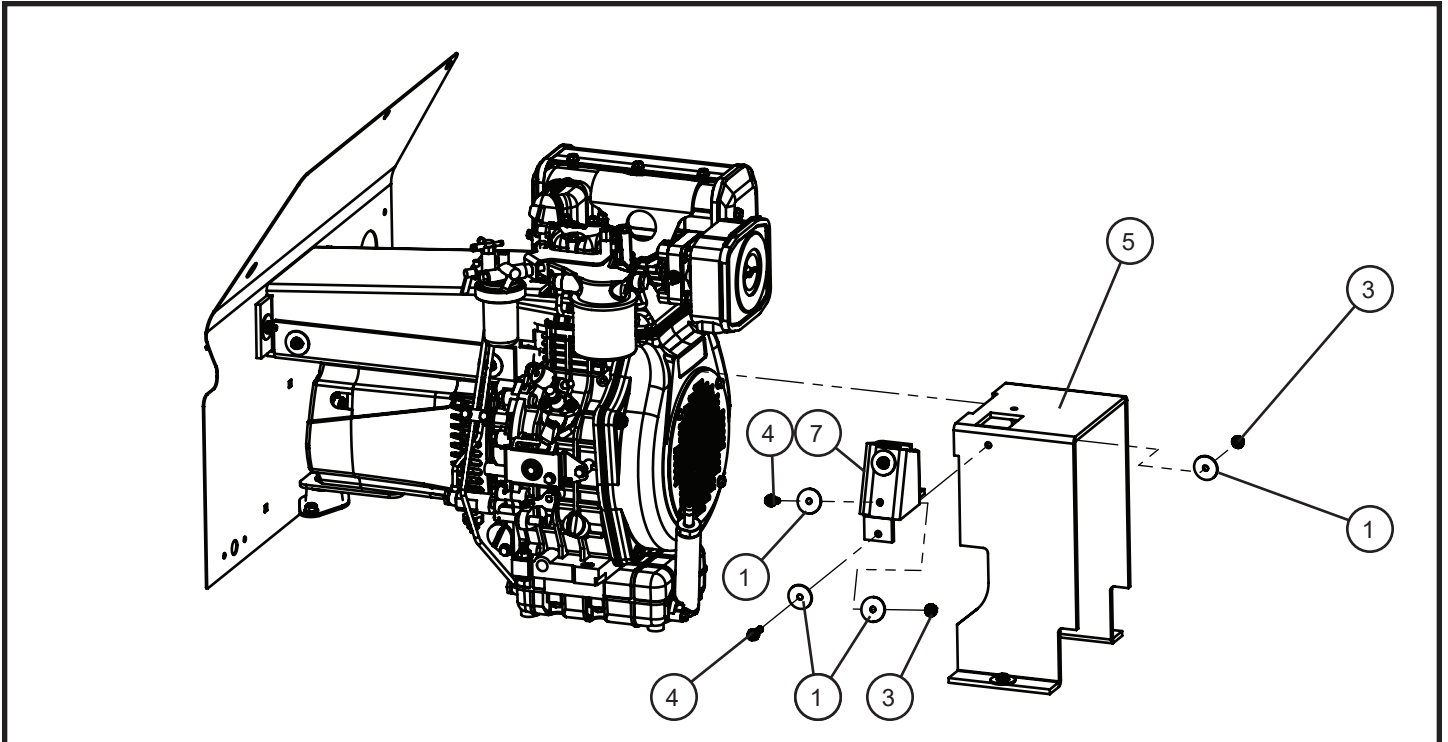
NIGHT-LITE™ GR-SERIES

SN 25-003162 and UP

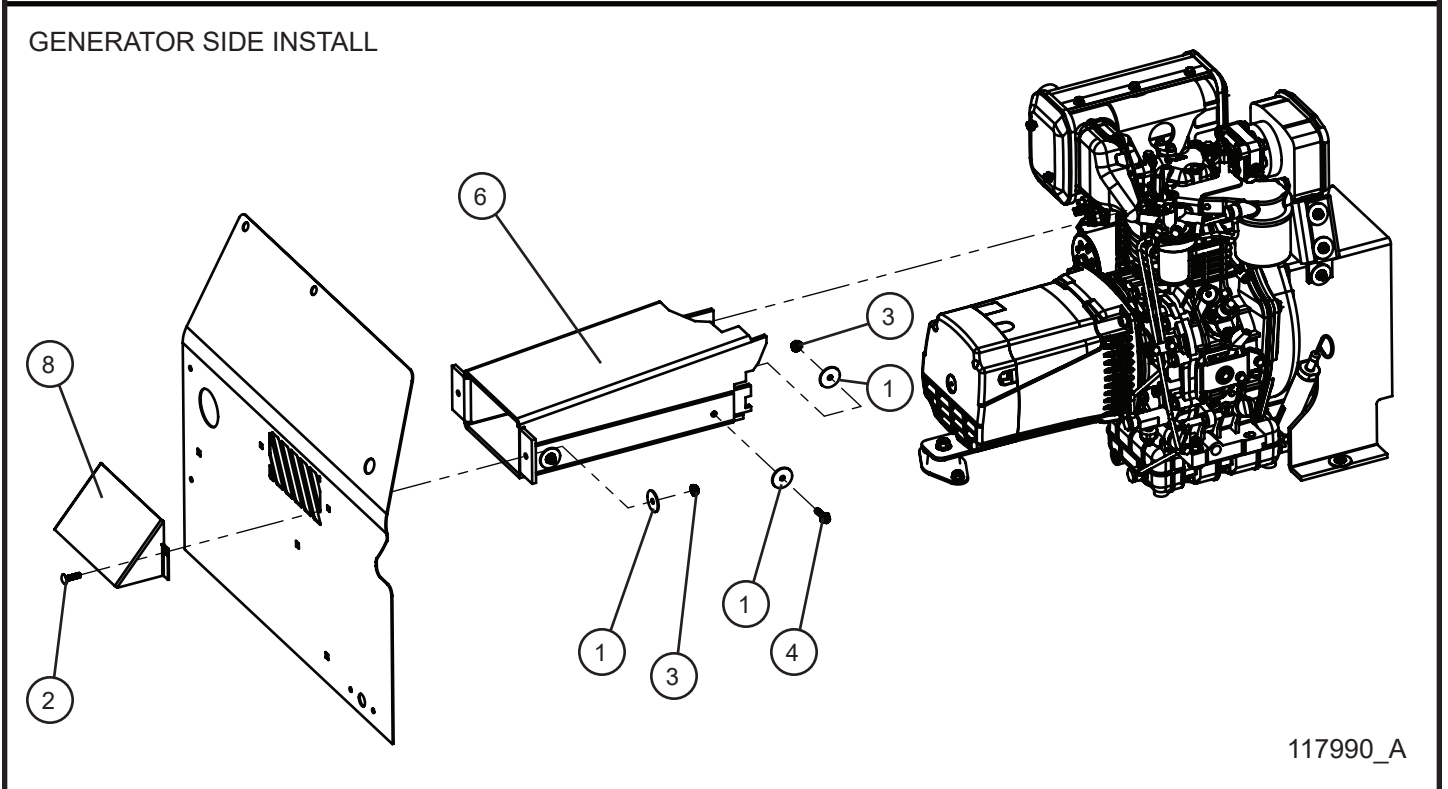
4.4 - Engine Cooling Fan and E-Stop Button II

Item	Part No.	Part Description	Qty.
1	057001	1/4-20 HEX NYLOCK FLANGE NUT	8
2	056019	1/4-20 x 3/4 HEX SERRATED FLANGE SCREW	6
3	053006	1/4-20 x 3/4 CARRIAGE BOLT	4
4	044106	NUT U EXTRUDED 1/4-20	2
5	120498P	FAN MOUNT ROADSIDE NLGR AIR-COOLED 9IN FAN	1
6	120499P	SHROUD ROADSIDE ELECTRIC FAN NLGR AIR-COOLED 9IN FAN	1
7	122020	FAN ELECTRIC 12V 9IN	1
8	108912	PUSH-PULL EMERGENCY STOP 40mm W/ 22mm MOUNTING	1
NS	123160	WIRE HARNESS ADAPTER NLGR AC 3KW ELECTRIC FAN	1

4.5 - Engine Air Vents (Old Fan)



GENERATOR SIDE INSTALL



117990_A

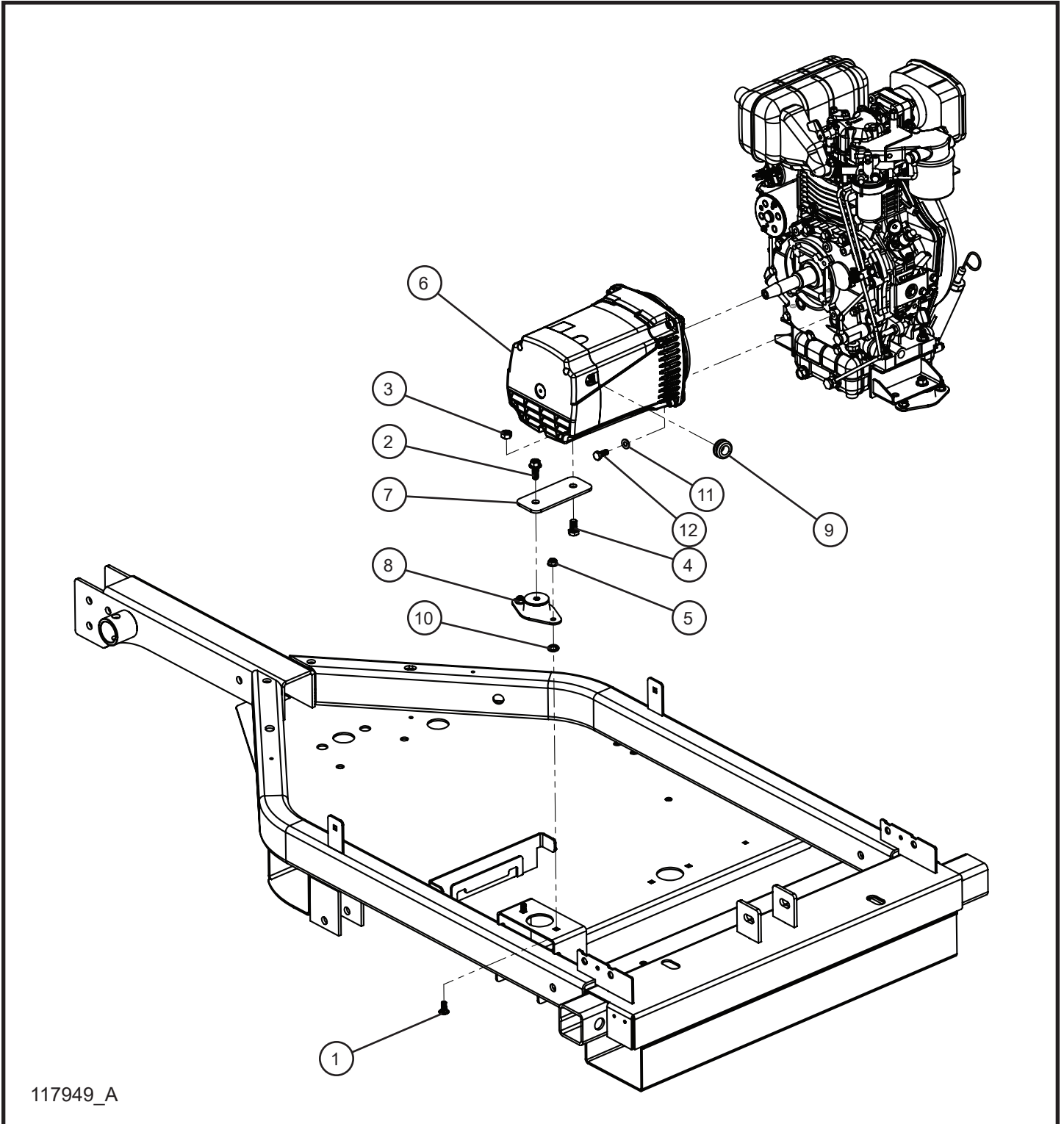
NIGHT-LITE™ GR-SERIES

SN 25-000001 to 25-003161

4.5 - Engine Air Vents (Old Fan)

Item	Part No.	Part Description	Qty.
1	047007	1/4 x 1 1/4 x .056 FENDER WASHER	16
2	100342	1/4-20 x 1 CARRIAGE BOLT	4
3	057000	1/4-20 HEX SERRATED FLANGE NUT	10
4	056017	1/4-20 x 1 SERRATED FLANGE HEX BOLT	6
5	118245	HEAT INSULATION FRESH INTAKE AIR DUCT	1
6	118246	HEAT INSULATION HOT AIR DUCT	1
7	118247	DUCT ENGINE FRESH AIR INTAKE NL GR-SERIES DIESEL	1
8	117741P	COVER AIR VENT NL GR-SERIES DIESEL	1

4.6 - Linz 4.3kW 60Hz Generator



117949_A

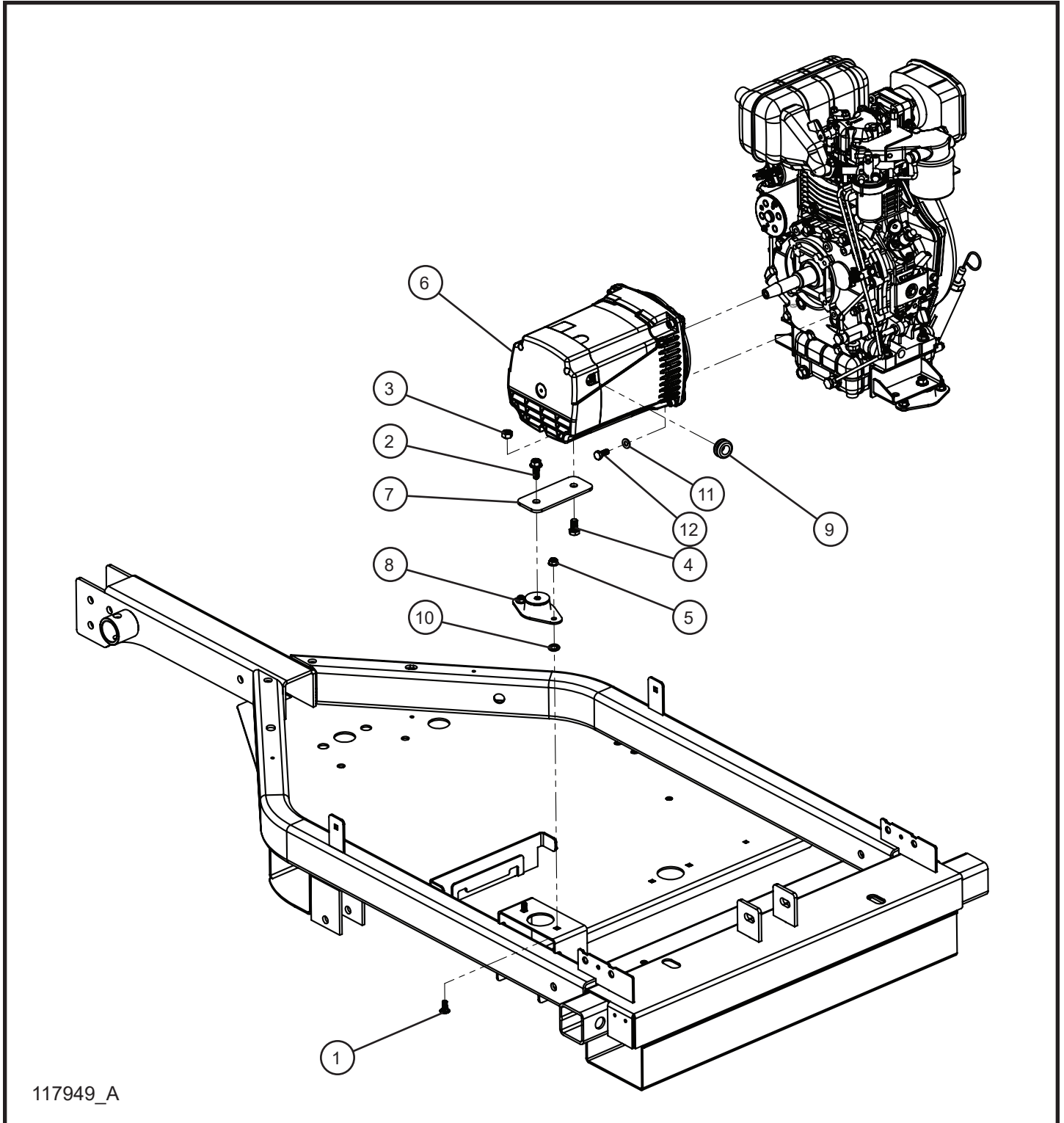
NIGHT-LITE™ GR-SERIES

SN 25-000001 and UP

4.6 - Linz 4.3 kW 60 Hz Generator

Item	Part No.	Part Description	Qty.
1	053020	5/16-18 x 1 CARRIAGE BOLT	2
2	056013	3/8-16 x 1 3/4 SERRATED FLANGE HEX SCREW	1
3	042083	M10 x 1.5mm HEX NUT	1
4	042037	M10 x 20mm x 1.5mm HEX HEAD	1
5	057008	5/16-18 HEX NYLOCK FLANGE NUT	2
6	116988	ALTERNATOR LINZ 4.3 kW 60Hz 2-POLE	1
7	117872P	MOUNT BRACKET GENERATOR NL GR-SERIES DIESEL	1
8	107028	ENGINE ISOLATOR LIGHT DUTY MOUNT	1
9	330463	11/16 RUBBER GROMMET	2
10	045217	5/16 PUSH NUT	1
11	047005	1/4 FLAT WASHER	4
12	042033	M8 x 20mm x 1.25mm HEX HEAD	4
NS	118328	CAPACITOR LINZ GENERATOR	1
NS	118373	SCHEMATIC 10/4 GEN CORD NL GR-SERIES DIESEL	1
NS	124193	SCHEMATIC 10/4 GEN CORD NLGR AIR-COOLED 240 VOLT	1
NS	123143	GEN CORD 10/4 NLGR AIR-COOLED 240V	1
NS	118099	GENERATOR CORD 10/4 NL GR-SERIES DIESEL	1

4.7 - Linz 3.5kW 50Hz Generator



117949_A

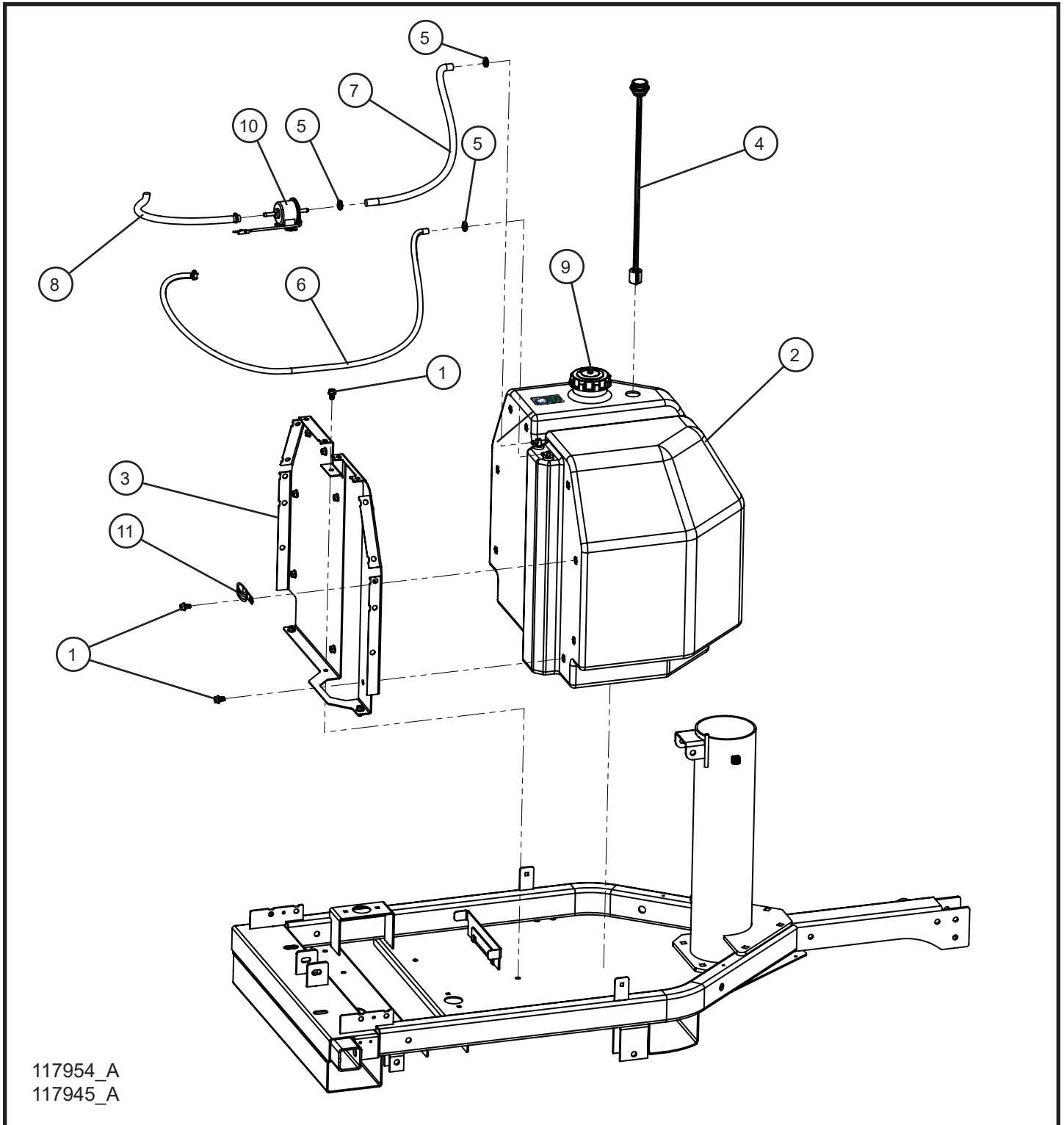
NIGHT-LITE™ GR-SERIES

SN 25-000001 and UP

4.7 - Linz 3.5kW 50Hz Generator

Item	Part No.	Part Description	Qty.
1	053020	5/16-18 x 1 CARRIAGE BOLT	2
2	056013	3/8-16 x 1 3/4 SERRATED FLANGE HEX SCREW	1
3	042083	M10 x 1.5mm HEX NUT	1
4	042037	M10 x 20mm x 1.5mm HEX HEAD	1
5	057008	5/16-18 HEX NYLOCK FLANGE NUT	2
6	118083	ALTERNATOR LINZ 3.5 kW 50Hz 2-POLE	1
7	117872P	MOUNT BRACKET GENERATOR NL GR-SERIES DIESEL	1
8	107028	ENGINE ISOLATOR LIGHT DUTY MOUNT	1
9	330463	11/16 RUBBER GROMMET	2
10	045217	5/16 PUSH NUT	1
11	047005	1/4 FLAT WASHER	4
12	042033	M8 x 20mm x 1.25mm HEX HEAD	4
NS	118328	CAPACITOR LINZ GENERATOR	1
NS	120503	SCHEMATIC GENERATOR CORD NLGR DIESEL INTERNATIONAL	1
NS	118436	GENERATOR CORD 14/2 50Hz NL GR-SERIES DIESEL	1

4.8 - Fuel Tank and Fuel Lines



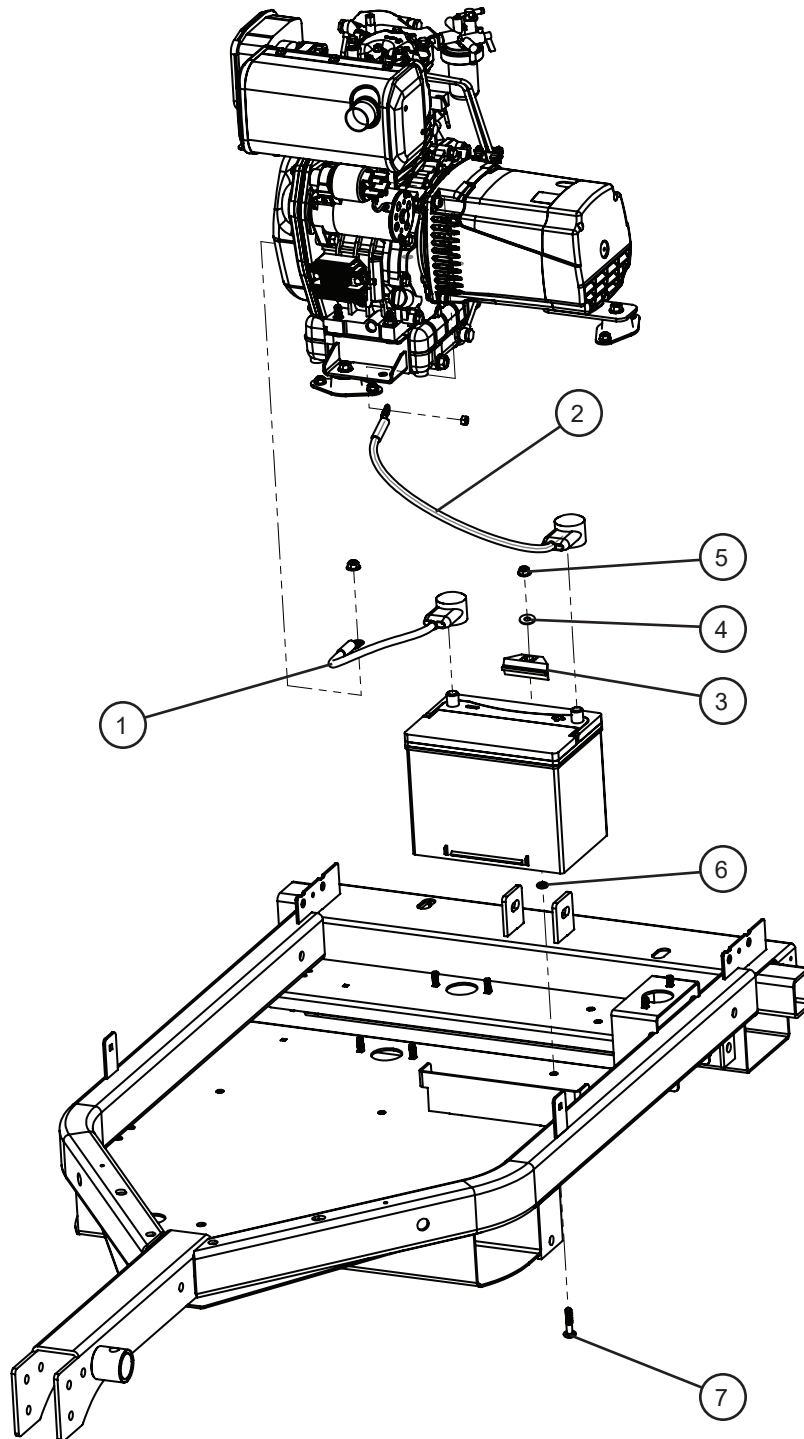
NIGHT-LITE™ GR-SERIES

SN 25-000001 and UP

4.8 - Fuel Tank and Fuel Lines

Item	Part No.	Part Description	Qty.
1	056009	3/8-16 X 3/4 HEX FLANGE SCREW	13
2	116138	FUEL TANK ASSEMBLY DIESEL NL GR-SERIES	1
3	117707P	BULKHEAD NL GR-SERIES DIESEL	1
4	116982	FUEL GUAGE SPIRAL 22 IN	1
5	433400	#4 HOSE CLAMP	6
6	081016	1/4" BLACK FUEL LINE x 48.00	1
7	081018	5/16" HOSE FUEL LINE x 31.00	1
8	081018	5/16" HOSE FUEL LINE x 31.00	1
9	116136	FUEL CAP	1
10	118329	FUEL PUMP	1
11	022083	#16 CLAMP CUSH	1
NS	120137	YANMAR GR-SERIES FILTER KIT	1
NS	118088	YANMAR FUEL FILTER	1

4.9 - Battery Group



117953_A
117952_A

NIGHT-LITE™ GR-SERIES

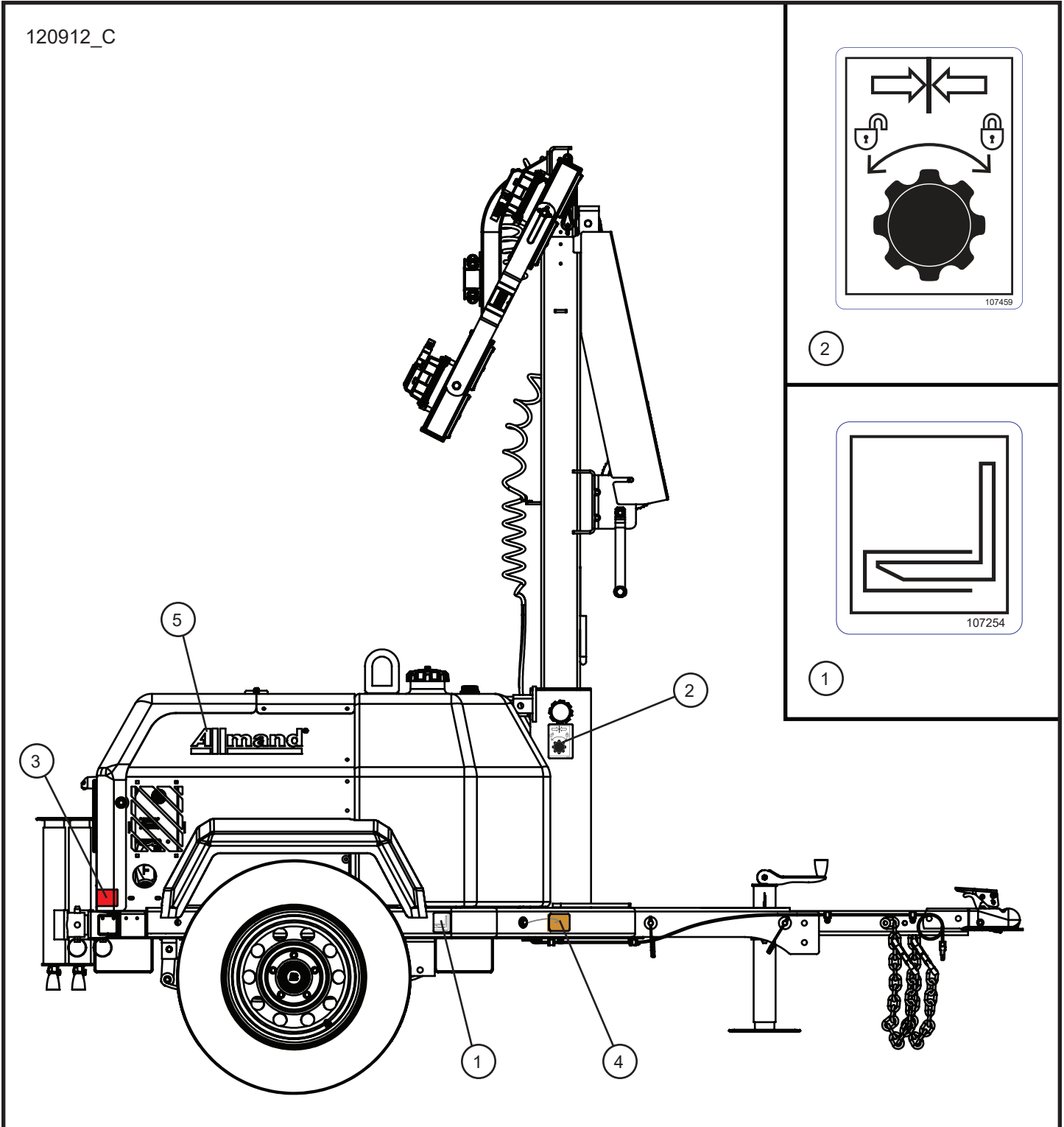
SN 25-000001 and UP

4.9 - Battery Group

Item	Part No.	Part Description	Qty.
1	116995	BATTERY CABLE NEGATIVE BLACK 4AWG x 16.00 .375 EYE	1
2	116996	BATTERY CABLE POSITIVE RED 4AWG x 20.00 .375 EYE	1
3	107115	BATTERY HOLD DOWN	1
4	047015	3/8 FLAT WASHER	1
5	057006	5/16-18 SERRATED FLANGE NUT	1
6	045217	5/16 PUSH NUT	1
7	053024	5/16-18 X 1 3/4 CARRIAGE BOLT	1

5.1 - Right Side Decals

120912_C



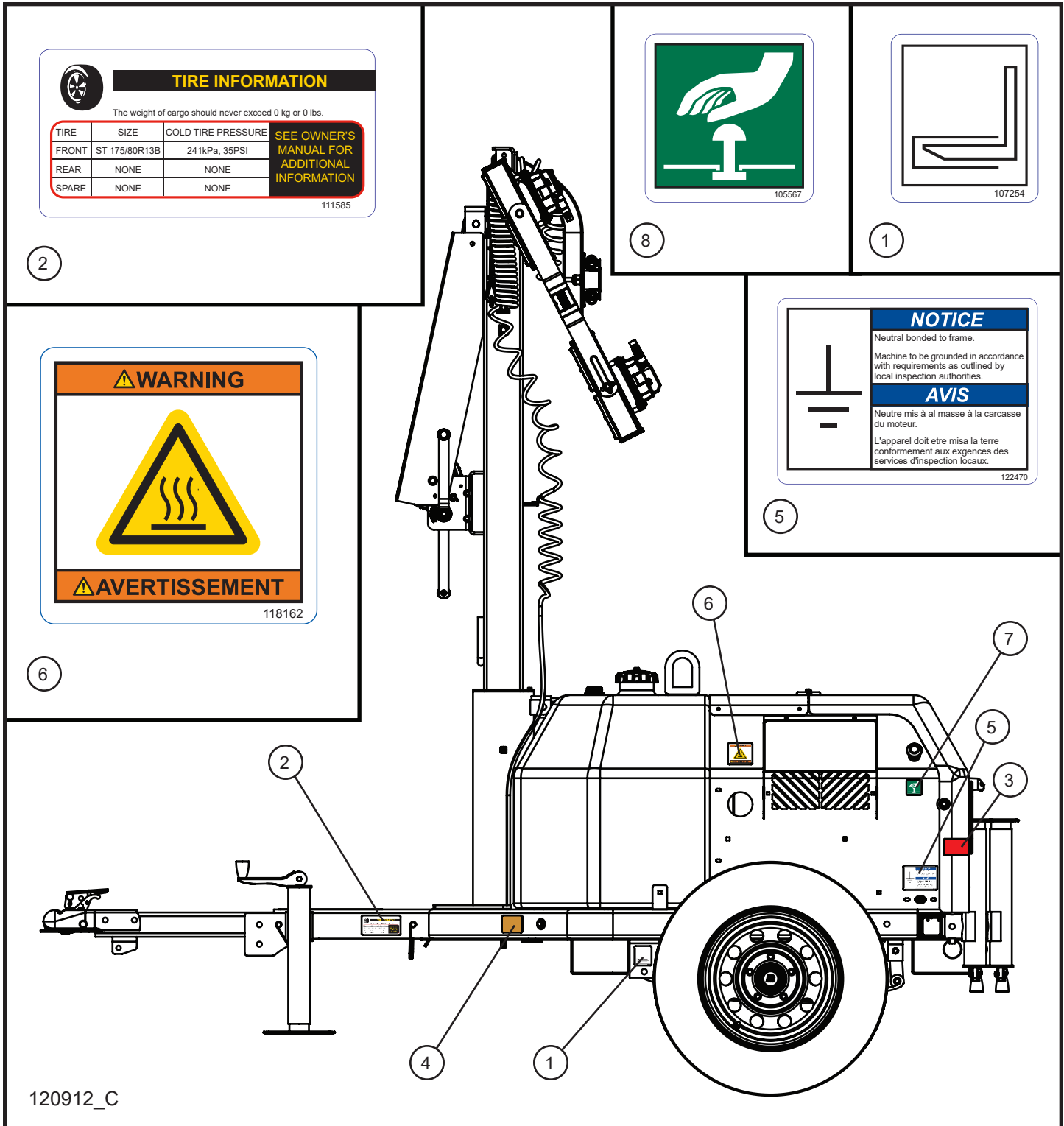
NIGHT-LITE™ GR-SERIES

SN 25-000001 and UP

5.1 - Right Side Decals

Item	Part No.	Part Description	Qty.
1	107254	FORKLIFT DECAL	1
2	107459	TOWER ALIGNMENT DECAL	1
3	114885	REFLECTOR DECAL RED 4.313 x 1.688	1
4	114884	REFLECTOR DECAL AMBER 2.75 x 1.75	1
5	118226	DECAL BRANDING ALLMAND-R BLACK 12 INCH	1
	118229	DECAL BRANDING ALLMAND-R GOLD-WHITE 12 INCH	1

5.2 - Left Side English and French Decals



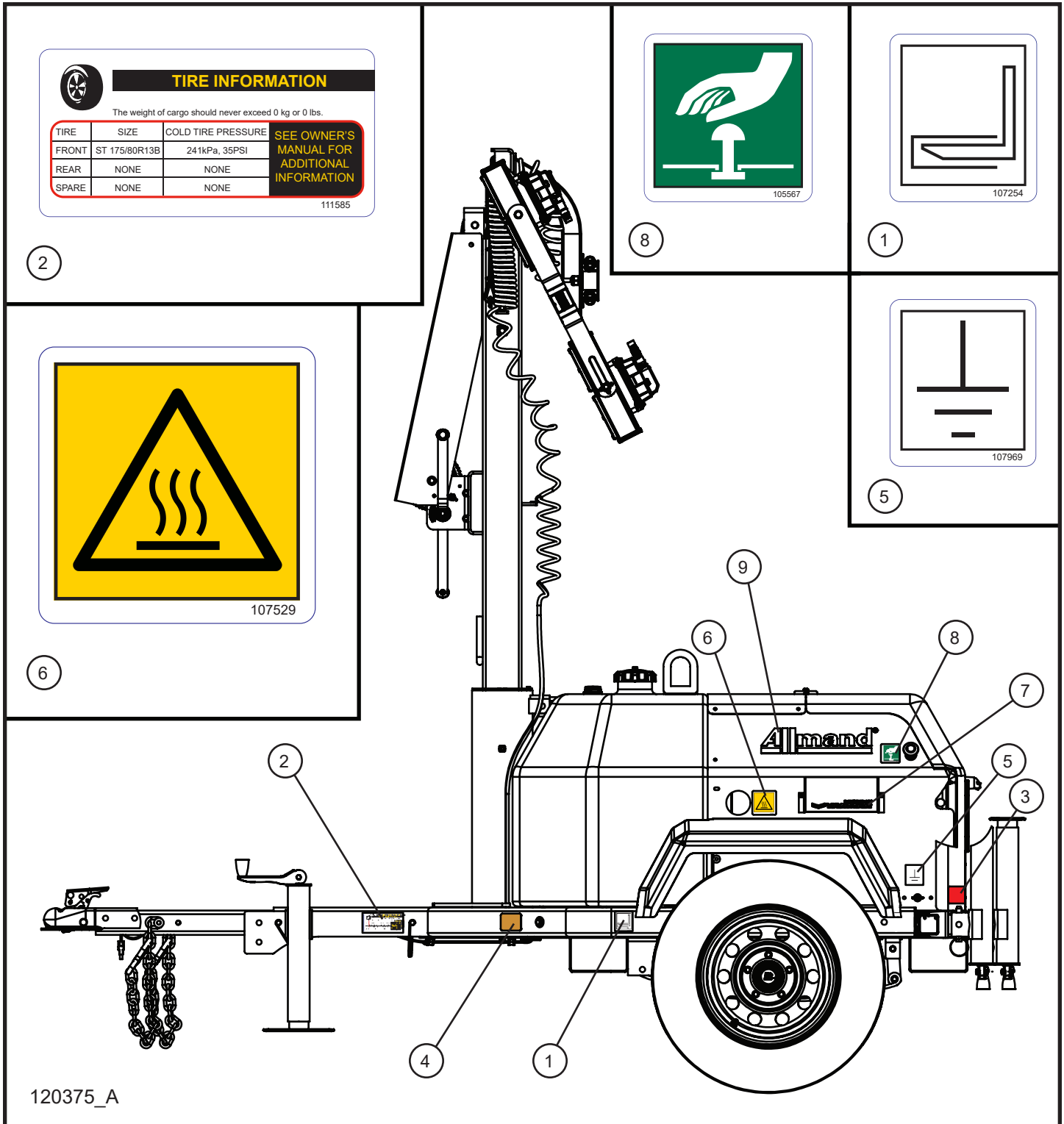
NIGHT-LITE™ GR-SERIES

SN 25-000001 and UP

5.2 - Left Side English and French Decals

Item	Part No.	Part Description	Qty.
1	107254	FORKLIFT DECAL	1
2	111585	DECAL TIRE INFO ST175/80R13 LD-B 35 PSI 0 LB CARGO	1
3	114885	REFLECTOR DECAL RED 4.313 x 1.688	1
4	114884	REFLECTOR DECAL AMBER 2.75 x 1.75	1
5	122470	DECAL NOTICE NEUTRAL BONDED & GROUNDED	1
6	118162	DECAL WARNING HOT SURFACE ENGLISH & FRENCH	1
7	105567	DECAL EMERGENCY STOP	1

5.3 - Left Side International Wordless Decals



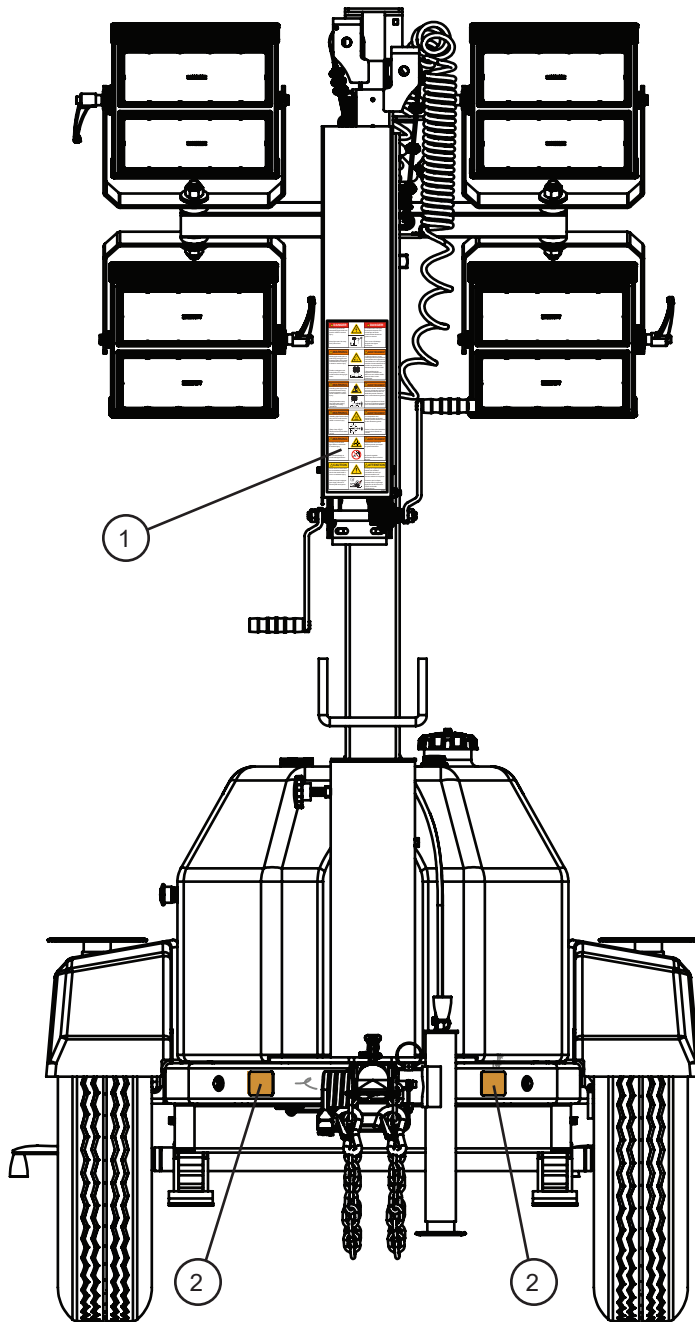
NIGHT-LITE™ GR-SERIES

SN 25-000001 and UP


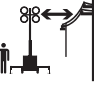
5.3 - Left Side International Wordless Decals


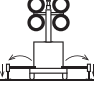
Item	Part No.	Part Description	Qty.
1	107254	FORKLIFT DECAL	1
2	111585	DECAL TIRE INFO ST175/80R13 LD-B 35 PSI 0 LB CARGO	1
3	114885	REFLECTOR DECAL RED 4.313 x 1.688	1
4	114884	REFLECTOR DECAL AMBER 2.75 x 1.75	1
5	107969	DECAL GROUND WORDLESS	1
6	107529	DECAL WARNING HOT SURFACE WORDLESS	1
7	118272	DECAL POWERED BY YANMAR BLACK	1
	118273	DECAL POWERED BY YANMAR WHITE	1
8	105567	DECAL EMERGENCY STOP	1
9	118226	DECAL BRANDING ALLMAND-R BLACK 12 INCH	1
	118229	DECAL BRANDING ALLMAND-R GOLD-WHITE 12 INCH	1


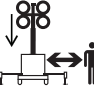
5.4 - Front Side English and French Decals


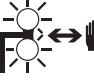




120912_C


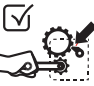
⚠ DANGER		⚠ DANGER
<p>Contacting power lines when raising light tower will result in death or serious injury.</p>		<p>Le contact avec une ligne électrique lorsque la tour d'éclairage est levée entraînera des blessures graves ou la mort.</p>
<p>Keep light tower far away from power lines.</p>		<p>Tenir la tour d'éclairage éloignée des lignes électriques.</p>

⚠ WARNING		⚠ AVERTISSEMENT
<p>Raising light tower prior to positioning outriggers and lowering jacks could cause machine rollover resulting in death or serious injury.</p>		<p>Le fait de soulever la tour d'éclairage avant de positionner correctement les longérons et sans baisser les vérins pourrait entraîner le basculement de la machine et provoquer des blessures graves ou la mort.</p>
<p>Position outriggers and lower jacks on a stable surface before raising light tower.</p>		<p>Il faut positionner les longérons et abaisser les vérins sur une surface stable avant de lever la tour d'éclairage.</p>

⚠ WARNING		⚠ AVERTISSEMENT
<p>Standing under light tower mast and fixtures during lowering operation could result in death or serious injury.</p>		<p>Le fait de se tenir debout sous une tour d'éclairage et de ses accessoires alors qu'elle est abaissée pourrait causer la mort ou des blessures graves.</p>
<p>Keep bystanders away from light tower during lowering and raising operations.</p>		<p>Tenir les spectateurs à l'écart de la tour d'éclairage pendant qu'on la soulève ou l'abaisse.</p>

⚠ WARNING		⚠ AVERTISSEMENT
<p>Handling light fixtures when they are hot could result in death or serious injury.</p>		<p>La manipulation des luminaires alors qu'ils sont chauds pourrait causer la mort ou des blessures graves.</p>
<p>Keep clear of light fixtures when illuminated or hot.</p>		<p>Rester à l'écart des luminaires lorsqu'ils sont allumés ou chauds.</p>

⚠ WARNING		⚠ AVERTISSEMENT
<p>Looking at illuminated light fixtures could result in serious injury.</p>		<p>Regarder des luminaires allumés pourrait provoquer de graves blessures.</p>
<p>Do not look directly at illuminated light fixtures.</p>		<p>Ne jamais regarder directement des luminaires allumés.</p>

⚠ CAUTION		⚠ ATTENTION
<p>Snow and ice could cause an uncontrolled condition in winch that could result in minor to moderate injury.</p>		<p>La neige et la glace pourraient causer une condition incontrôlée du treuil qui pourrait entraîner une blessure mineure à moyenne.</p>
<p>Make sure pawl engages gear. Apply silicone to ratchet pawl and spacer.</p>		<p>S'assurer que le cliquet embraye dans l'engrenage. Appliquer du silicone sur le cliquet et la butée d'espacement.</p>

122479

NIGHT-LITE™ GR-SERIES

SN 25-000001 and UP

5.4 - Front Side English and French Decals

Item	Part No.	Part Description	Qty.
1	122479	VERTICAL TOWER DECAL NLV/NLGR	1
2	114884	REFLECTOR DECAL AMBER 2.75 x 1.75	2

5.5 - Front Side International Wordless Decals

107532

3

107984

1

118444

2

120375_A

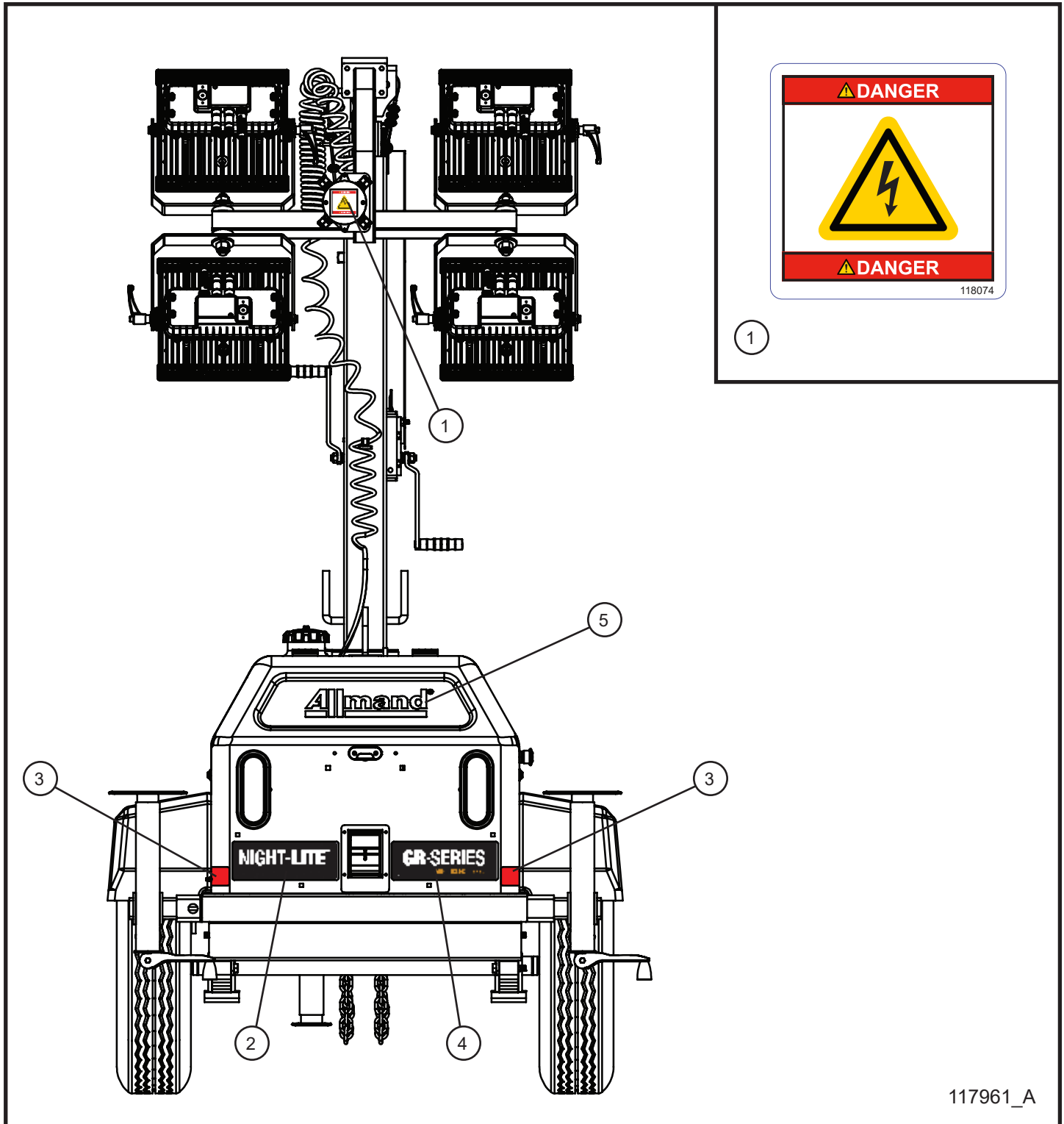
NIGHT-LITE™ GR-SERIES

SN 25-000001 and UP

5.5 - Front Side International Wordless Decals

Item	Part No.	Part Description	Qty.
1	107984	OVERHEAD CLEARANCE ROLLOVER WORDLESS DECAL	1
2	107532	DECAL CAUTION WINCH WORDLESS	1
3	118444	DECAL WARNING WORDLESS 3 PANEL TOWER	1
4	114884	REFLECTOR DECAL AMBER 2.75 x 1.75	2

5.6 - Rear Side English and French Decals



117961_A

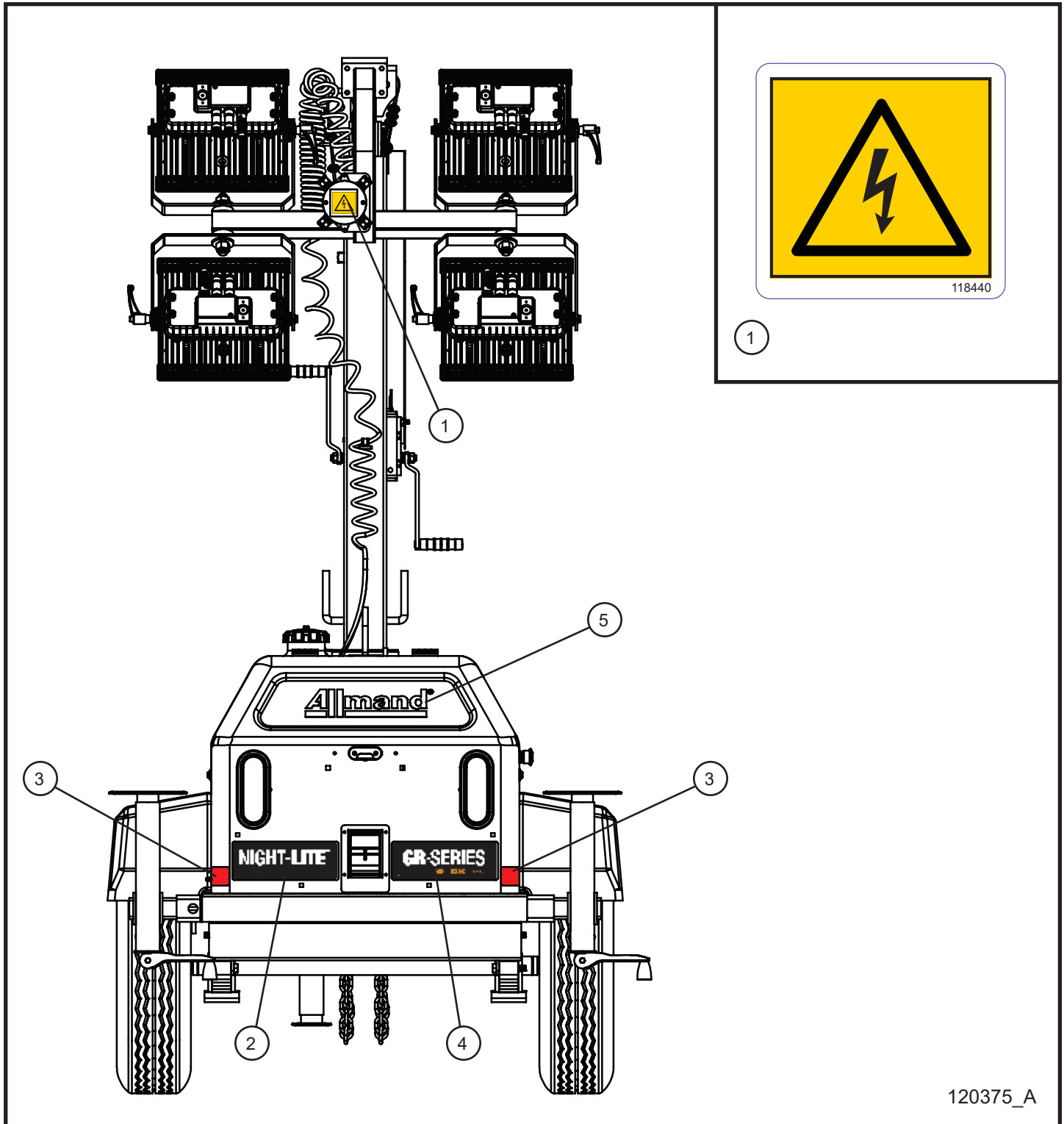
NIGHT-LITE™ GR-SERIES

SN 25-000001 and UP

5.6 - Rear Side English and French Decals

Item	Part No.	Part Description	Qty.
1	118074	HAZARDOUS VOLTAGE BILINGUAL DANGER DECAL	1
2	118223	DECAL BRANDING NIGHT-LITE NL-GR DIESEL	1
3	114885	REFLECTOR DECAL RED 4.313 x 1.688	2
4	118224	DECAL BRANDING AIR-COOLED NL-GR DIESEL	1
5	118226	DECAL BRANDING ALLMAND-R BLACK 12 INCH	1
	118229	DECAL BRANDING ALLMAND-R GOLD-WHITE 12 INCH	1

5.7 - Rear Side International Wordless Decals



120375_A

NIGHT-LITE™ GR-SERIES


SN 25-000001 and UP

5.7 - Rear Side International Wordless Decals

Item	Part No.	Part Description	Qty.
1	118440	DECAL DANGER WORDLESS HIGH VOLTAGE SMALL	1
2	118223	DECAL BRANDING NIGHT-LITE NL-GR DIESEL	1
3	114885	REFLECTOR DECAL RED 4.313 x 1.688	2
4	118224	DECAL BRANDING AIR-COOLED NL-GR DIESEL	1
5	118226	DECAL BRANDING ALLMAND-R BLACK 12 INCH	1
	118229	DECAL BRANDING ALLMAND-R GOLD-WHITE 12 INCH	1

5.8 - Top View English and French Decals

⚠ DANGER



⚠ DANGER

118074


2 TOP SIDE OF CONTROL BOX

kW	3.0
A	25
V	120
Hz/RPM	60/3600
PHASE	1
INS. CLASS	H
MAX AMB	120°F/49°C
PF	1.0

118227

5 TOP SIDE OF CONTROL BOX

⚠ WARNING

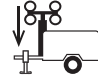


Failure to follow warnings, instructions, and operator's manual could result in death or serious injury.
Read and follow operator's manual before operating or servicing this equipment.

⚠ AVERTISSEMENT

L'omission de respecter les avertissements, les instructions et le manuel de l'utilisateur pourrait entraîner des blessures graves ou la mort.
Lire et suivre le manuel d'utilisation avant de faire fonctionner ou de faire l'entretien de cet équipement.

⚠ WARNING




Failure to lower tower into a secured position before towing could result in death or serious injury.
Lower tower to a secured position before towing.

⚠ AVERTISSEMENT

Ne pas abaisser la tour d'éclairage en position sécurisée au préalable peut provoquer la mort ou des blessures graves.
Abaissez la tour en position sécurisée avant le remorquage.

⚠ WARNING

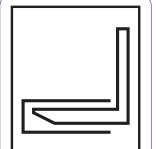


Excessive towing speed could result in death or serious injury.
Do not exceed 65mph (105km/h) when towing trailer.

⚠ AVERTISSEMENT

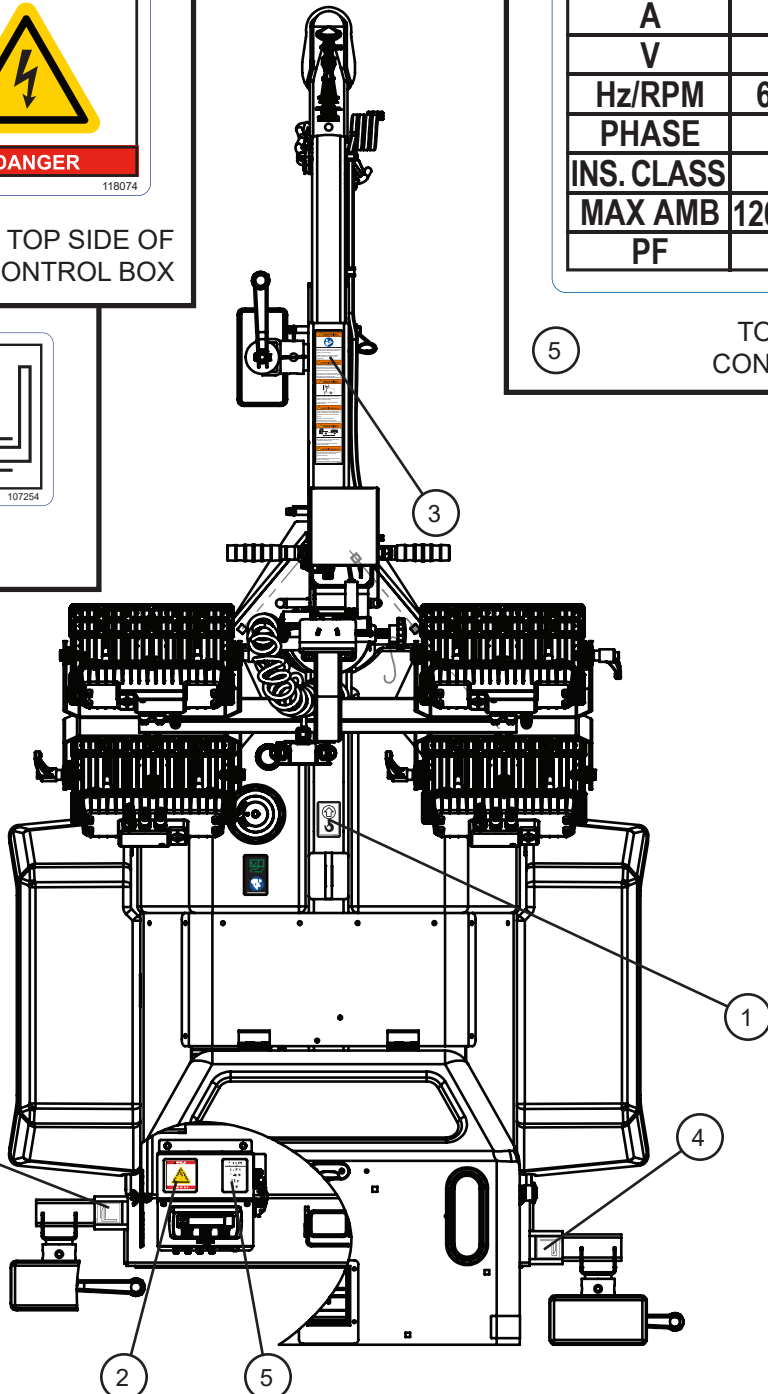
Une vitesse de remorquage excessive pourrait entraîner la mort ou de graves blessures.
Ne pas dépasser 105 km/h (65 mi/h) lors du remorquage.

122463




107254

4



3



122480

1

117961_A

NIGHT-LITE™ GR-SERIES

SN 25-000001 and UP

5.8 - Top View English and French Decals

Item	Part No.	Part Description	Qty.
1	122480	DECAL LIFT HOOK	1
2	118074	HAZARDOUS VOLTAGE BILINGUAL DANGER DECAL	1
3	122463	LIGHT TOWER UNIVERSAL WARNING TONGUE DECAL	1
4	107254	FORKLIFT DECAL	2
5	118227	DECAL ELECTRICAL INFO 3.0kW 60Hz 120V 25A 1 PHASE	1

5.9 - Top View International Wordless Decals

118440

2 TOP SIDE OF CONTROL BOX

kW	3.0
A	14
V	220
Hz/RPM	50/3000
PHASE	1
INS. CLASS	H
MAX AMB	120°F/49°C
PF	1.0

118476

6 TOP SIDE OF CONTROL BOX

118110

3

107254

5

122480

1

118443

4

120375_A





NIGHT-LITE™ GR-SERIES

SN 25-000001 and UP











5.9 - Top View International Wordless Decals

Item	Part No.	Part Description	Qty.
1	122480	DECAL LIFT HOOK	1
2	118440	DECAL DANGER WORDLESS HIGH VOLTAGE SMALL	1
3	118110	EXCESSIVE TOWING SPEED WARNING WORDLESS DECAL	1
4	118443	DECAL WARNING WORDLESS LOWER TOWER TOWING	1
5	107254	FORKLIFT DECAL	2
6	118476	DECAL ELECTRICAL INFO 3.0kW 50Hz 220V 14A 1 PHASE	1
	118227	DECAL ELECTRICAL INFO 3.0kW 60Hz 120V 25A 1 PHASE	1

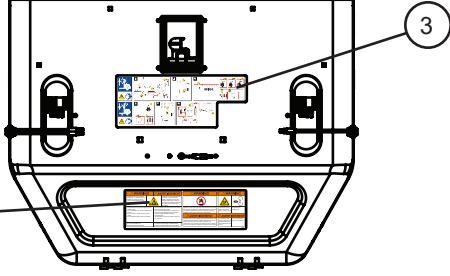
5.10 - Door Interior English and French Decals

<p>⚠ WARNING</p> <p>Breathing diesel engine exhaust exposes you to chemicals known to the State of California to cause cancer and birth defects or other reproductive harm.</p> 	<p>⚠ AVERTISSEMENT</p> <p>L'inhalation de gaz d'échappement du moteur vous expose à des produits chimiques connus selon l'État de Californie pour causer le cancer, des anomalies congénitales ou d'autres effets nuisibles à la reproduction.</p> 	<p>⚠ WARNING</p> <p>Operation of this equipment may create sparks that can start fires around dry vegetation. A spark arrester may be required. The operator should contact local fire agencies for laws or regulations relating to fire prevention requirements.</p> 	<p>⚠ WARNING</p> <p>Contact with rotating parts could result in death or serious injury.</p> 
<p>*Always start and operate the engine in a well-ventilated area. *If in an enclosed area, vent the exhaust to the outside. *Do not modify or tamper with the exhaust system. *Do not idle the engine except as necessary.</p>	<p>*Toujours démarrer et faire fonctionner le moteur dans un endroit bien ventilé. *Si le moteur est utilisé dans un espace fermé, ventiler les gaz d'échappement à l'extérieur. *Ne pas modifier ni altérer le système d'échappement. *Ne pas mettre le moteur au ralenti sauf en cas de nécessité.</p>	<p>⚠ AVERTISSEMENT</p> <p>Le fonctionnement de cet appareil peut provoquer des étincelles qui peuvent enflammer de la végétation sèche environnante. Un pare-étincelles peut être requis. L'opérateur doit communiquer avec le service d'incendie local pour connaître les lois ou les règlements relatifs à la prévention des incendies.</p>	<p>⚠ AVERTISSEMENT</p> <p>Le contact avec des pièces en mouvement pourrait résulter en de graves blessures voire la mort.</p>
<p>For more information go to www.PSDwarnings.ca.gov/psdcast</p>	<p>Pour obtenir de plus amples renseignements, visitez le site www.PSDwarnings.ca.gov/psdcast.</p>	<p>⚠ AVERTISSEMENT</p> <p>Les articles de fumure, les flammes nues ou les autres formes d'allumage qui pourraient causer une explosion, causant la mort ou des blessures graves.</p>	<p>⚠ AVERTISSEMENT</p> <p>Tenez les articles de fumure, les flammes nues ou les autres formes d'allumage à l'écart de la batterie.</p>

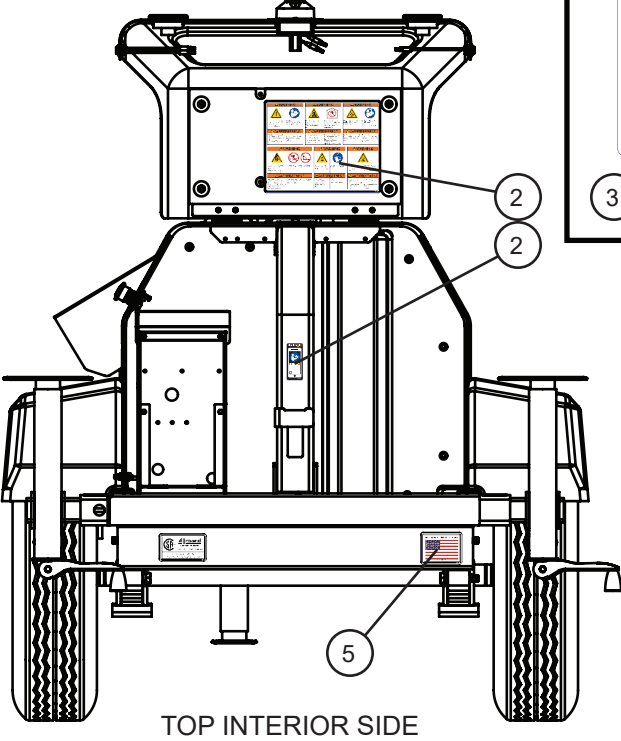
122464

<p>⚠ WARNING</p>  <p>Failure to follow warnings, instructions, and operator's manual could result in death or serious injury.</p>	<p>⚠ WARNING</p>  <p>Read and follow operator's manual before operating or servicing this equipment.</p>	<p>⚠ WARNING</p>  <p>Engine exhaust contains carbon monoxide, a poisonous gas that could cause death or serious injury.</p>	<p>⚠ WARNING</p>  <p>Run equipment far from windows, doors and vents. Do not run equipment indoors or in partially enclosed spaces.</p>
<p>⚠ AVERTISSEMENT</p> <p>L'omission de respecter les avertissements, les instructions et le manuel de l'utilisateur pourrait entraîner des blessures graves ou la mort.</p>	<p>⚠ AVERTISSEMENT</p> <p>Lire et suivre le manuel d'utilisation avant de faire fonctionner ou de faire l'entretien de cet équipement.</p>	<p>⚠ AVERTISSEMENT</p> <p>Le moteur contient du monoxyde de carbone, un gaz toxique pouvant provoquer la mort ou de graves blessures.</p>	<p>⚠ AVERTISSEMENT</p> <p>Faites tourner à l'extérieur, loin des fenêtres, des portes et des vents. Ne faites pas fonctionner à l'intérieur ou dans un espace partiellement fermé.</p>
<p>⚠ WARNING</p>  <p>Smoking materials, open flames, or other forms of ignition near the battery could cause explosion resulting in death or serious injury.</p>	<p>⚠ WARNING</p>  <p>Keep smoking materials, open flames, and other forms of ignition away from the battery.</p>	<p>⚠ WARNING</p>  <p>Exposure to corrosive material could result in death or serious injury.</p>	<p>⚠ WARNING</p>  <p>Wear protective gloves when handling battery.</p>
<p>⚠ AVERTISSEMENT</p> <p>Les articles de fumure, les flammes nues ou les autres formes d'allumage à l'écart de la batterie.</p>	<p>⚠ AVERTISSEMENT</p> <p>Tenez les articles de fumure, les flammes nues ou les autres formes d'allumage à l'écart de la batterie.</p>	<p>⚠ AVERTISSEMENT</p> <p>Toute exposition à des produits corrosifs pourrait causer la mort ou des blessures graves.</p>	<p>⚠ AVERTISSEMENT</p> <p>Porter des gants de protection en manipulant la batterie.</p>
<p>⚠ WARNING</p>  <p>Contact with hot exhaust gases and parts could cause serious injury.</p>	<p>⚠ WARNING</p>  <p>Avoid hot exhaust gases. Keep hands and combustible materials away from hot parts.</p>		
<p>⚠ AVERTISSEMENT</p> <p>Éviter les gaz d'échappement chauds. Tenir les mains et les produits inflammables à l'écart des pièces chaudes.</p>	<p>⚠ AVERTISSEMENT</p> <p>Éviter les gaz d'échappement chauds. Tenir les mains et les produits inflammables à l'écart des pièces chaudes.</p>		

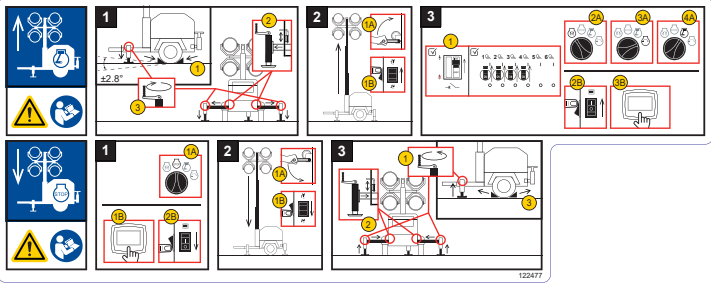
118163



ANGLE INTERIOR SIDE

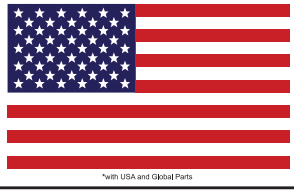


TOP INTERIOR SIDE



122477


MANUFACTURED IN THE USA



*with USA and Global Parts

123161

5



123241

4

117961_A

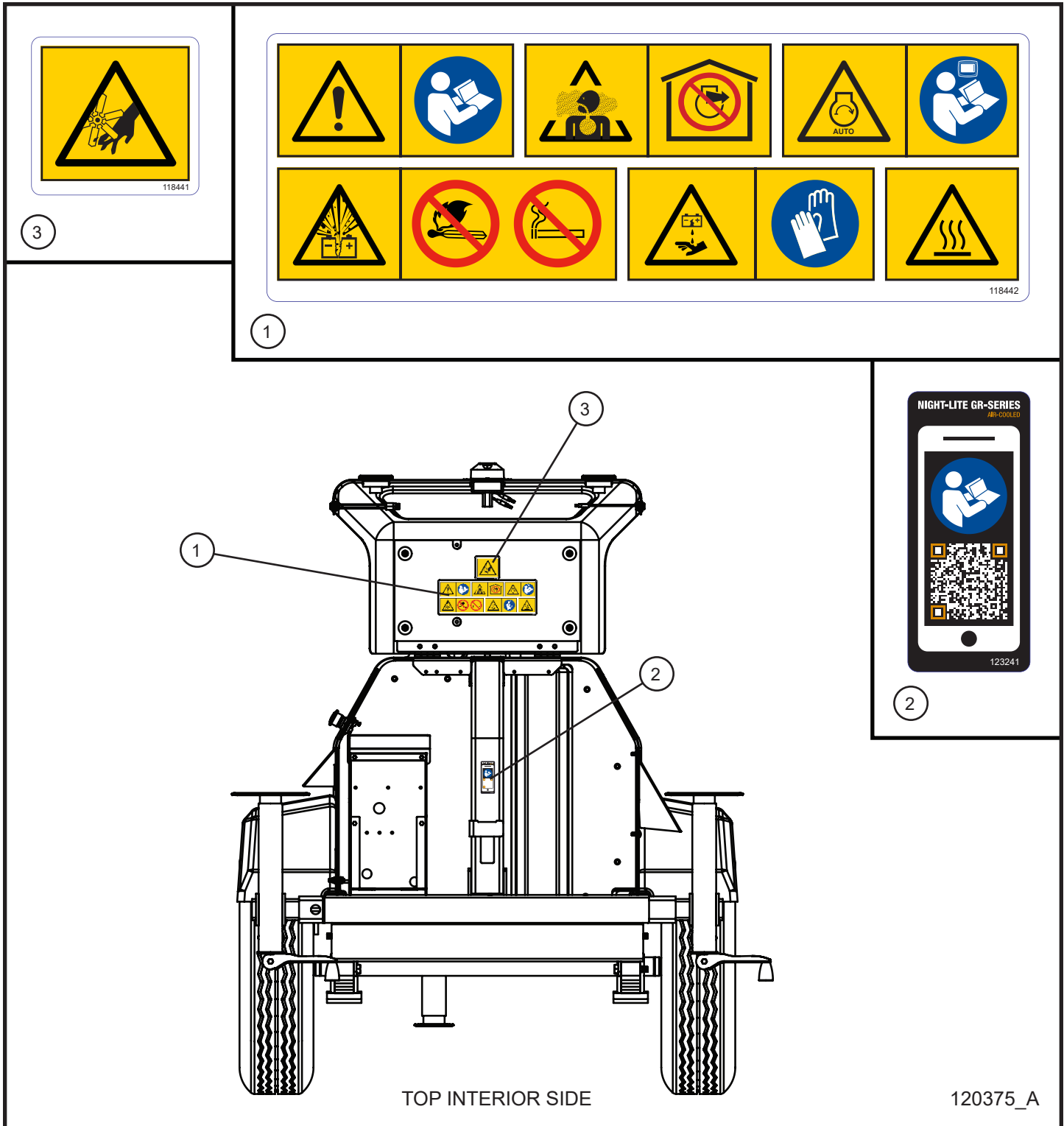
NIGHT-LITE™ GR-SERIES

SN 25-000001 and UP

5.10 - Door Interior English and French Decals

Item	Part No.	Part Description	Qty.
1	122464	PROP 65/ROTATING PARTS WARNING DECAL NLGR AC	1
2	118163	DECAL MULTIPLE WARNINGS ENGLISH/FRENCH	1
3	122477	START INSTRUCTIONS DECAL	1
4	123241	DECAL QR CODE NLGR AIR-COOLED	1
5	123161	DECAL MANUFACTURED IN USA	1

5.11 - Door Interior International Wordless Decals



NIGHT-LITE™ GR-SERIES

SN 25-000001 and UP

5.11 - Door Interior International Wordless Decals

Item	Part No.	Part Description	Qty.
1	118442	DECAL MULTIPLE WARNINGS WORDLESS	1
2	123241	DECAL QR CODE NLGR AIR-COOLED	1
3	118441	DECAL WARNING WORDLESS FAN HAZARD	1

NIGHT-LITE™ GR-SERIES



**1502 West 4th Avenue
Holdrege, NE 68949**

phone: (308) 995-4495 • toll free: (800) 562-1373

fax: (308) 995-5887

www.allmand.com