

Allmand™

Brighter. Warmer. Safer.

Portable
Industrial
Heaters

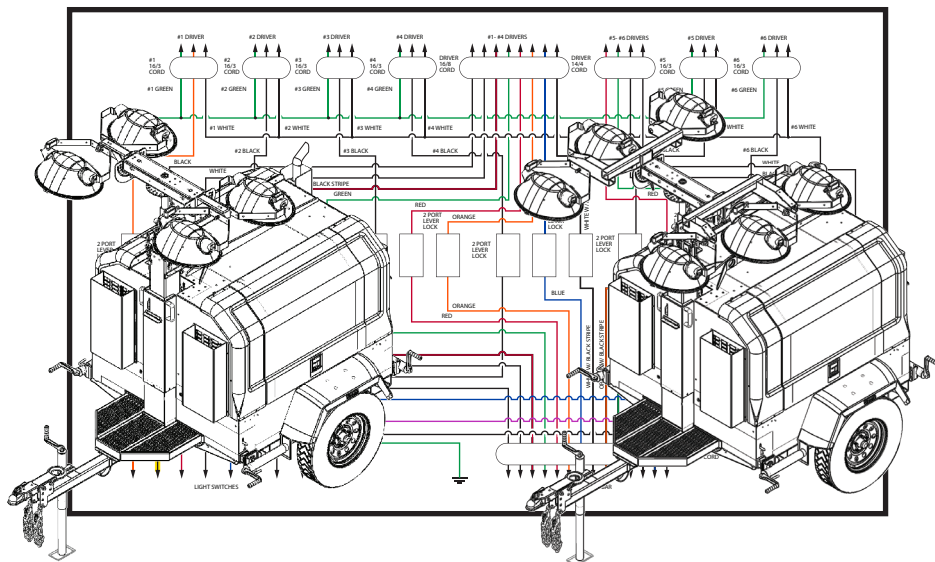
Portable
Light Towers

Portable
Light Stands

Solar Flashing
Arrow Boards



(en) Wire Schematic Manual
MAXI-LITE® II, RIG SPEC™,
& MINE SPEC™



Copyright © 2016 Allmand Bros., Inc.
Holdrege, NE, USA. All rights reserved.

Part No.: 109000
Revision: A

LIGHT TOWER APP



Reliability, Performance, and Integrity Since 1938

www.allmand.com

TABLE OF CONTENTS

| | |
|--|--------|
| SLS Key Start Schematic (105894) | (1.1) |
| LSC Schematic (105895) | (1.2) |
| SLS 1.1 Relay Addition Schematic (106877) | (1.3) |
| LSC 2.1 120V Transformer Schematic (106885) | (1.4) |
| CAT C1.1 Schematic (105888) | (1.5) |
| CAT C1.1 Voltage Regulator Schematic (105899) | (1.6) |
| CAT C1.1 LSC Schematic (105904) | (1.7) |
| CAT C1.5 Schematic (105889) | (1.8) |
| CAT C1.5 LSC Schematic (106044) | (1.9) |
| CAT C1.5 Turbo Schematic (106553) | (1.10) |
| CAT C1.5 Turbo LSC Schematic (106554) | (1.11) |
| CAT C1.5 Turbo Governor Schematic (105746) | (1.12) |
| Kubota D1005/1105 Schematic (105893) | (1.13) |
| Kubota D1005/1105 LSC Schematic (105905) | (1.14) |
| Isuzu 4LE1 Schematic (105890) | (1.15) |
| Isuzu 4LE1 LSC Schematic (105906) | (1.16) |
| Isuzu 4LE1 Governor Schematic (105885) | (1.17) |
| Shocker Valve Schematic (106156) | (1.18) |
| Low Fuel Module Schematic (105901) | (1.19) |
| Low Fuel Sender Schematic (106341) | (1.20) |
| Fuel Beacon Run Light Schematic (105887) | (1.21) |
| Run Beacon Schematic (106092) | (1.22) |
| Heated Fuel/Water Separator Schematic (105886) | (1.23) |
| Diesel Fired Block Heater Schematic (106045) | (1.24) |
| 4 Light 14/7 Cord Junction Box Schematic (105283) | (1.25) |
| 4 Light 16/8 Cord Junction Box Schematic (105284) | (1.26) |
| 6 Light 16/10 Cord Junction Box Schematic (105285) | (1.27) |
| 6 Light 16/14 Cord w/Aux Light Junction Box Schematic (105319) | (1.28) |
| 4 LED Light Junction Box Schematic (105634) | (1.29) |
| 6 LED Light Junction Box Schematic (105635) | (1.30) |
| 4 Light 2 Relay Schematic (105892) | (1.31) |
| 6 Light 2 Relay Schematic (106340) | (1.32) |
| 6 Light 3 Relay Schematic (105891) | (1.33) |

TABLE OF CONTENTS

| | |
|---|--------|
| 4 Light 14/7 Cord Schematic (105291) | (1.34) |
| 4 Light 16/8 Cord Schematic (105292) | (1.35) |
| 6 Light 16/10 Cord Schematic (105293) | (1.36) |
| 6 Light 16/14 Cord Schematic (105320) | (1.37) |
| 4 Light LED Schematic (105713) | (1.38) |
| 4 Light LED Disconnect Schematic (106157) | (1.39) |
| 6 Light LED Schematic (105714) | (1.40) |
| 6 Light LED Disconnect Schematic (106158) | (1.41) |
| 1000W 50Hz 120V Ballast Schematic (105288) | (1.42) |
| 1000W 50Hz 220V Ballast Schematic (105289) | (1.43) |
| 1000W 60Hz 120V Ballast Schematic (105287) | (1.44) |
| 1000W 60Hz 120V HPS Ballast Schematic (105184) | (1.45) |
| 1250W 60Hz 120V Ballast Schematic (105286) | (1.46) |
| 1250W 60Hz 240V Ballast Schematic (105290) | (1.47) |
| 8kW 1PH 2-240V 30A 1-120V 20A GFCI Schematic (108017) | (1.48) |
| 14kW 1PH 1-20A GFCI 1-15 L6-15R 1-20A L6-30R Schematic (108018) | (1.49) |
| 15kW 1PH 4-240V 30A 2-120V 20A GFCI Schematic (108020) | (1.50) |
| 20kW 1PH 4-240V 30A 2-120V 20A GFCI Schematic (108023) | (1.51) |
| 20kW 3PH 4-208V 30A 2-120V 20A GFCI Schematic (108024) | (1.52) |
| 20kW 1PH 1-240V 20A 1-240V 15A 1-20A GFCI Schematic (108021) | (1.53) |
| 8kW 1PH 1-30A RV 2-20A GFCI Schematic (108016) | (1.54) |
| 20kW 1PH 2-30A RV 2-20A GFCI Schematic (108022) | (1.55) |
| 13kW 1PH 2-30A RV 2-20A GFCI Schematic (108019) | (1.56) |
| 8kW 1PH 2-30A RV 1-20A GFCI Schematic (108015) | (1.57) |
| 6kW 1PH 2-16A Schuko 50Hz Schematic (105256) | (1.58) |
| 12kW 1PH 3-16A Schuko 50Hz Schematic (105256) | (1.59) |
| Aux Outlet 2-20A GFCI 1-50A Schematic (105317) | (1.60) |
| Aux Outlet 1-50A Schematic (105932) | (1.61) |
| Aux Outlet 3-50A 1-30A Schematic (105268) | (1.62) |
| Aux Outlet 1-60A 3P 600V Schematic (105267) | (1.63) |
| Aux Outlet 1-50A 4-50R Schematic (105265) | (1.64) |
| Internal GFCI Schematic (106086) | (1.65) |
| 50Hz Aux Outlet Disconnect Box Schematic (105266) | (1.66) |

TABLE OF CONTENTS

| | |
|---|--------|
| 20kW 1P Transfer Switch Schematic (105303) | (1.67) |
| 8kW 1P Marathon/Athlon Schematic (105269) | (1.68) |
| 4/4 Cord 240 L-L CAT C1.5 Schematic (106090) | (1.69) |
| 3P CAT C1.5T Schematic (106555) | (1.70) |
| 20kW 1P Marathon Schematic (105933) | (1.71) |
| 20kW 3P 208V 60Hz Cummins Schematic (105272) | (1.72) |
| Hydraulic Vertical Pump w/Key Switch Relay Schematic (105296) | (1.73) |
| Interior Work Light Schematic (105896) | (1.74) |
| GPS ZTR System Schematic (105345) | (1.75) |
| Emergency Stop Schematic (105903) | (1.76) |
| 102 Decibel Alarm Schematic (108035) | (1.77) |
| Tail Light Schematic (107266) | (1.78) |
| Electrical Brake Tail Light Schematic (105298) | (1.79) |
| Marker Lights Schematic (107267) | (1.80) |
| License Plate Light Schematic (105299) | (1.81) |
| License Plate LED Light Schematic (105350) | (1.82) |

WIRE SCHEMATIC PAGE CONNECTION TABLE (1 of 7)

| Schematic Page | 1st Connection Page(s) | 2nd Connection Page(s) | 3rd Connection Page(s) | 4th Connection Page(s) |
|-------------------------------|------------------------|-------------------------------------|-------------------------------------|------------------------|
| SLS Key Start Schematic (1.1) | 1.76 | 1.12, 1.19, 1.23, 1.73, and/or 1.74 | 1.6, 1.12, or 1.17 | 1.3 |
| LSC Schematic (1.2) | 1.24 | 1.4 | 1.7, 1.9, 1.11, 1.14, 1.16, or 1.20 | 1.21 |

| Schematic Page | 5th Connection Page(s) | 6th Connection Page(s) | 7th Connection Page(s) | 8th Connection Page(s) |
|-------------------------------|-------------------------------|------------------------------|-------------------------------|-------------------------------|
| SLS Key Start Schematic (1.1) | 1.31, 1.32, or 1.33 | 1.5, 1.8, 1.10, 1.13 or 1.15 | 1.5, 1.8, 1.10, 1.13 or 1.15 | 1.5, 1.8, 1.10, 1.13 or 1.15 |
| LSC Schematic (1.2) | 1.22, 1.23, 1.74, and/or 1.73 | 1.6, 1.12, or 11.7 | 1.7, 1.9, 1.11, 1.14, or 1.16 | 1.7, 1.9, 1.11, 1.14, or 1.16 |

| Schematic Page | 9th Connection Page(s) | 10th Connection Page(s) | 11th Connection Page(s) | 12th Connection Page(s) |
|---------------------|------------------------|-------------------------------|-------------------------|-------------------------|
| LSC Schematic (1.2) | 1.31, 1.32, or 1.33 | 1.7, 1.9, 1.11, 1.14, or 1.16 | 1.77 | 1.6 |

| Schematic Page | 1st Connection Page(s) | 2nd Connection Page(s) | 3rd Connection Page(s) | 4th Connection Page(s) |
|--|---------------------------------|------------------------|---|------------------------|
| SLS 1.1 Relay Addition Schematic (1.3) | 1.68, 1.69, 1.70, 1.71, or 1.72 | 1.1 | 1.48, 1.49, 1.50, 1.51, 1.52, 1.53, 1.54, 1.56, 1.57, 1.58, 1.59, or 1.67 | n/a |
| LSC 2.1 120V Transformer Schematic (1.4) | 1.68, 1.69, 1.70, 1.71, or 1.72 | 1.2 | 1.48, 1.49, 1.50, 1.51, 1.52, 1.53, 1.54, 1.56, 1.57, 1.58, 1.59, or 1.67 | n/a |
| CAT C1.1 Schematic (1.5) | 1.1 and 1.6 | 1.19 | 1.1 | 1.1 |
| CAT C1.1 Voltage Regulator Schematic (1.6) | 1.3 or 1.5 | 1.1 or 1.2 | n/a | n/a |

***NOTE:** All Engine schematic pages have an optional connection to the Emergency Stop schematic page (1.76).

WIRE SCHEMATIC PAGE CONNECTION TABLE (2 of 7)

| Schematic Page | 1st Connection Page(s) | 2nd Connection Page(s) | 3rd Connection Page(s) | 4th Connection Page(s) |
|-------------------------------------|------------------------|------------------------|------------------------|------------------------|
| CAT C1.1 LSC Schematic (1.7) | 1.2 and 1.6 | 1.2 | 1.2 | 1.2 |
| CAT C1.5 Schematic (1.8) | 1.1 | 1.19 | 1.1 | 1.1 |
| CAT C1.5 LSC Schematic (1.9) | 1.2 | 1.2 | 1.2 | 1.2 |
| CAT C1.5 Turbo Schematic (1.10) | 1.1 | 1.19 | 1.1 | 1.1 |
| CAT C1.5 Turbo LSC Schematic (1.11) | 1.2 | 1.2 | 1.2 | 1.2 |

| Schematic Page | 5th Connection Page(s) | 6th Connection Page(s) | 7th Connection Page(s) | 8th Connection Page(s) |
|-------------------------------------|------------------------|------------------------|------------------------|------------------------|
| CAT C1.5 Turbo Schematic (1.10) | 1.12 | n/a | n/a | n/a |
| CAT C1.5 Turbo LSC Schematic (1.11) | 1.12 | n/a | n/a | n/a |

| Schematic Page | 1st Connection Page(s) | 2nd Connection Page(s) | 3rd Connection Page(s) | 4th Connection Page(s) |
|--|------------------------|------------------------|------------------------|------------------------|
| CAT C1.5 Turbo Governor Schematic (1.12) | 1.10 or 1.11 | 1.1 or 1.2 | n/a | n/a |
| Kubota D1005/1105 Schematic (1.13) | 1.1 | 1.19 | 1.1 | 1.1 |
| Kubota D1005/1105 LSC Schematic (1.14) | 1.2 | 1.2 | 1.2 | 1.2 |
| Isuzu 4LE1 Schematic (1.15) | 1.1 | 1.19 | 1.1 | 1.1 |
| Isuzu 4LE1 LSC Schematic (1.16) | 1.2 | 1.2 | 1.2 | 1.2 |

***NOTE:** All Engine schematic pages have an optional connection to the Emergency Stop schematic page (1.76).

WIRE SCHEMATIC PAGE CONNECTION TABLE (3 of 7)

| Schematic Page | 1st Connection Page(s) | 2nd Connection Page(s) | 3rd Connection Page(s) | 4th Connection Page(s) |
|--|------------------------------|------------------------|-------------------------------------|------------------------|
| Isuzu 4LE1 Governor Schematic (1.17) | 1.1 or 1.2 | n/a | n/a | n/a |
| Shocker Valve Schematic (1.18) | n/a | n/a | n/a | n/a |
| Low Fuel Module Schematic (1.19) | 1.5, 1.8, 1.10, 1.13 or 1.20 | 1.21 | 1.1 | n/a |
| Low Fuel Sender Schematic (1.20) | 1.2 or 1.19 | n/a | n/a | n/a |
| Fuel Beacon Run Light Schematic (1.21) | 1.22 | 1.2 | n/a | n/a |
| Run Beacon Schematic (1.22) | 1.21 | 1.2 | n/a | n/a |
| Heated Fuel/Water Separator Schematic (1.23) | 1.1 or 1.2 | n/a | n/a | n/a |
| Diesel Fired Block Heater Schematic (1.24) | 1.2 | n/a | n/a | n/a |
| 4 Light 14/7 Cord Junction Box Schematic (1.25) | 1.31 | 1.34 | 1.42, 1.43 1.44, 1.45, 1.46 or 1.47 | n/a |
| 4 Light 16/8 Cord Junction Box Schematic (1.26) | 1.31 | 1.35 | 1.42, 1.43 1.44, 1.45, 1.46 or 1.47 | n/a |
| 6 Light 16/10 Cord Junction Box Schematic (1.27) | 1.32 or 1.33 | 1.36 | 1.42, 1.43 1.44, 1.45, 1.46 or 1.47 | n/a |
| 6 Light 16/14 Cord w/Aux Light Junction Box Schematic (1.28) | 1.32 or 1.33 | 1.37 | 1.42, 1.43 1.44, 1.45, 1.46 or 1.47 | n/a |
| 4 LED Light Junction Box Schematic (1.29) | 1.31 | 1.38 or 1.39 | n/a | n/a |
| 6 LED Light Junction Box Schematic (1.30) | 1.32 or 1.33 | 1.40 or 1.41 | n/a | n/a |

WIRE SCHEMATIC PAGE CONNECTION TABLE (4 of 7)

| Schematic Page | 1st Connection Page(s) | 2nd Connection Page(s) | 3rd Connection Page(s) | 4th Connection Page(s) |
|--|---------------------------|------------------------|---|------------------------|
| 4 Light 2 Relay Schematic (1.31) | 1.1 or 1.2 | 1.25, 1.26, or 1.29 | 1.48, 1.49, 1.50, 1.51, 1.53, 1.54, 1.56, 1.57, 1.58, 1.59, or 1.67 | n/a |
| 6 Light 2 Relay Schematic (1.32) | 1.1 or 1.2 | 1.27, 1.28, or 1.30 | 1.48, 1.49, 1.50, 1.51, 1.53, 1.54, 1.56, 1.57, 1.58, 1.59, or 1.67 | n/a |
| 6 Light 3 Relay Schematic (1.33) | 1.1 or 1.2 | 1.27, 1.28, or 1.3 | 1.52 | n/a |
| 4 Light 14/7 Cord Schematic (1.34) | 1.25 | n/a | n/a | n/a |
| 4 Light 16/8 Cord Schematic (1.35) | 1.26 | n/a | n/a | n/a |
| 6 Light 16/10 Cord Schematic (1.36) | 1.27 | n/a | n/a | n/a |
| 6 Light 16/14 Cord Schematic (1.37) | 1.28 | n/a | n/a | n/a |
| 4 Light LED Schematic (1.38) | 1.29 | n/a | n/a | n/a |
| 4 Light LED Disconnect Schematic (1.39) | 1.29 | n/a | n/a | n/a |
| 6 Light LED Schematic (1.40) | 1.30 | n/a | n/a | n/a |
| 6 Light LED Disconnect Schematic (1.41) | 1.30 | n/a | n/a | n/a |
| 1000W 50Hz 120V Ballast Schematic (1.42) | 1.25, 1.26, 1.27, or 1.28 | n/a | n/a | n/a |
| 1000W 50Hz 220V Ballast Schematic (1.43) | 1.25, 1.26, 1.27, or 1.28 | n/a | n/a | n/a |
| 1000W 60Hz 120V Ballast Schematic (1.44) | 1.25, 1.26, 1.27, or 1.28 | n/a | n/a | n/a |

WIRE SCHEMATIC PAGE CONNECTION TABLE (5 of 7)

| Schematic Page | 1st Connection Page(s) | 2nd Connection Page(s) | 3rd Connection Page(s) | 4th Connection Page(s) |
|---|---------------------------|------------------------|---------------------------|------------------------|
| 1000W 60Hz 120V HPS Ballast Schematic (1.45) | 1.25, 1.26, 1.27, or 1.28 | n/a | n/a | n/a |
| 1250W 60Hz 120V Ballast Schematic (1.46) | 1.25, 1.26, 1.27, or 1.28 | n/a | n/a | n/a |
| 1250W 60Hz 240V Ballast Schematic (1.47) | 1.25, 1.26, 1.27, or 1.28 | n/a | n/a | n/a |
| 8kW 1PH 2-240V 30A 1-120V 20A GFCI Schematic (1.48) | 1.3 or 1.4 | 1.31 or 1.32 | n/a | n/a |
| 14kW 1PH 1-20A GFCI 1-15 L6-15R 1-20A L6-30R Schematic (1.49) | 1.3 or 1.4 | 1.31 or 1.32 | 1.60, 1.61, 1.64, or 1.65 | n/a |
| 15kW 1PH 4-240V 30A 2-120V 20A GFCI Schematic (1.50) | 1.3 or 1.4 | 1.31 or 1.32 | n/a | n/a |
| 20kW 1PH 4-240V 30A 2-120V 20A GFCI Schematic (1.51) | 1.3 or 1.4 | 1.31 or 1.32 | n/a | n/a |
| 20kW 3PH 4-208V 30A 2-120V 20A GFCI Schematic (1.52) | 1.3 or 1.4 | 1.33 | 1.66 | n/a |
| 20kW 1PH 1-240V 20A 1-240V 15A 1-20A GFCI Schematic (1.53) | 1.3 or 1.4 | 1.31 or 1.32 | 1.60, 1.61, 1.64, or 1.65 | n/a |
| 8kW 1-PH 1-30A RV 2-20A GFCI Schematic (1.54) | 1.3 or 1.4 | 1.31 or 1.32 | n/a | n/a |
| 20kW 1-PH 2-30A RV 2-20A GFCI Schematic (1.55) | 1.3 or 1.4 | 1.31 or 1.32 | 1.60, 1.61, 1.64, or 1.65 | n/a |
| 13kW 1-PH 2-30A RV 2-20A GFCI Schematic (1.56) | 1.3 or 1.4 | 1.31 or 1.32 | 1.60, 1.61, 1.64, or 1.65 | n/a |
| 8kW 1-PH 2-30A RV 1-20A GFCI Schematic (1.57) | 1.3 or 1.4 | 1.31 or 1.32 | n/a | n/a |

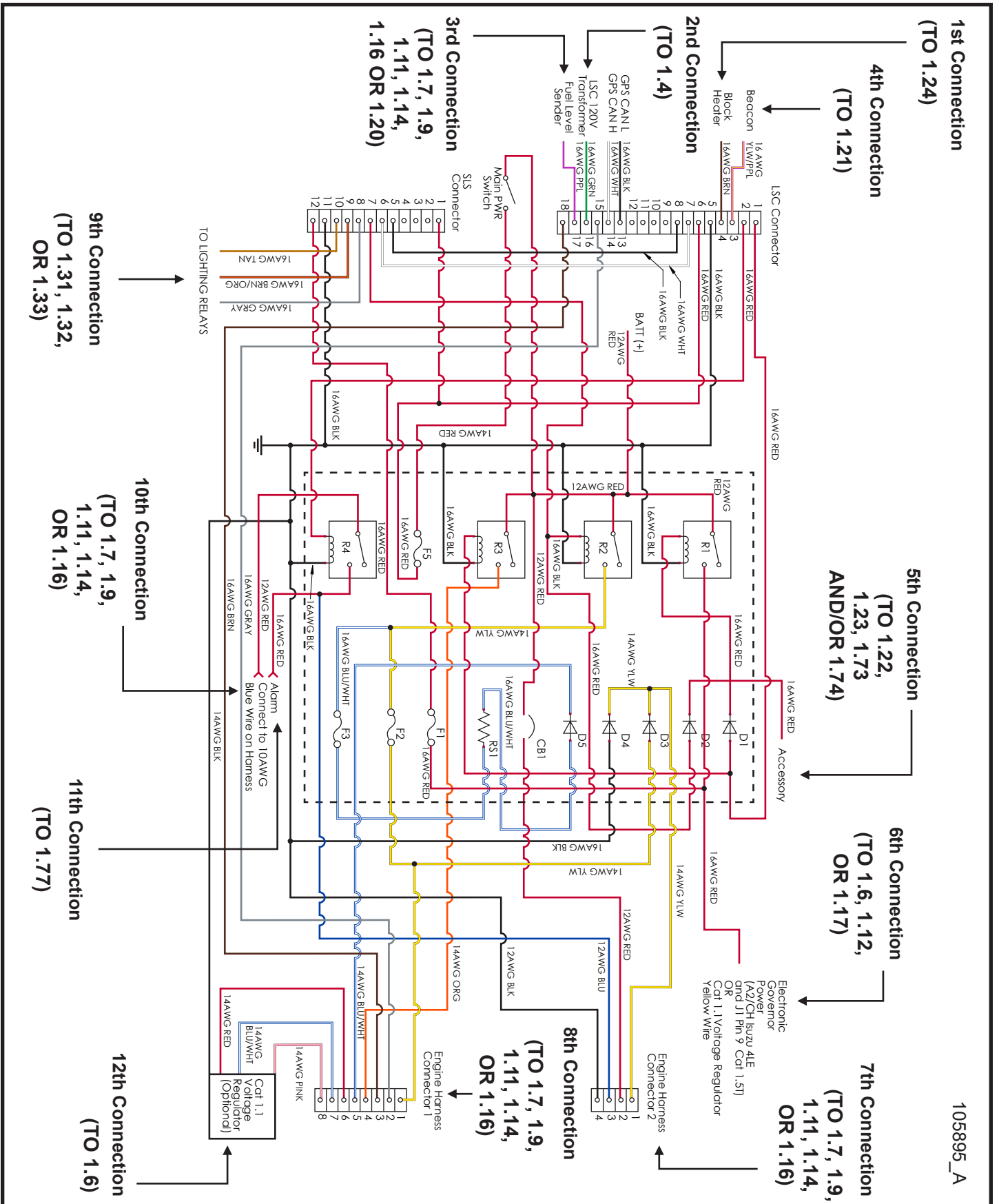
WIRE SCHEMATIC PAGE CONNECTION TABLE (6 of 7)

| Schematic Page | 1st Connection Page(s) | 2nd Connection Page(s) | 3rd Connection Page(s) | 4th Connection Page(s) |
|---|---------------------------|------------------------|------------------------|------------------------|
| 6kW 1-PH 2-16A Schuko 50Hz Schematic (1.58) | 1.3 or 1.4 | 1.31 or 1.32 | n/a | n/a |
| 12kW 1-PH 2-16A Schuko 50Hz Schematic (1.59) | 1.3 or 1.4 | 1.31 or 1.32 | n/a | n/a |
| Aux Outlet 2-20A GFCI 1-50A Schematic (1.60) | 1.49, 1.53, 1.55, or 1.56 | n/a | n/a | n/a |
| Aux Outlet 1-50A Schematic (1.61) | 1.49, 1.53, 1.55, or 1.56 | n/a | n/a | n/a |
| Aux Outlet 3-50A 1-30A Schematic (1.62) | 1.67 | 1.67 | n/a | n/a |
| Aux Outlet 1-60A 3P 600V Schematic (1.63) | 1.52 | n/a | n/a | n/a |
| Aux Outlet 1-50A 4-50R Schematic (1.64) | 1.49, 1.53, 1.55, or 1.56 | n/a | n/a | n/a |
| Internal GFCI Schematic (1.65) | 1.49, 1.53, 1.55, or 1.56 | n/a | n/a | n/a |
| 50Hz Aux Outlet Disconnect Box Schematic (1.66) | 1.59 | n/a | n/a | n/a |
| 20kW 1P Transfer Switch Schematic (1.67) | 1.62 | 1.31 or 1.32 | n/a | n/a |
| 8kW 1P Marathon/Athlon Schematic (1.68) | 1.3 or 1.4 | n/a | n/a | n/a |
| 4/4 Cord 240 L-L CAT C1.5 Schematic (1.69) | 1.3 or 1.4 | n/a | n/a | n/a |
| 3P CAT C1.5T Schematic (1.70) | 1.3 or 1.4 | n/a | n/a | n/a |
| 20kW 1P Marathon Schematic (1.71) | 1.3 or 1.4 | n/a | n/a | n/a |

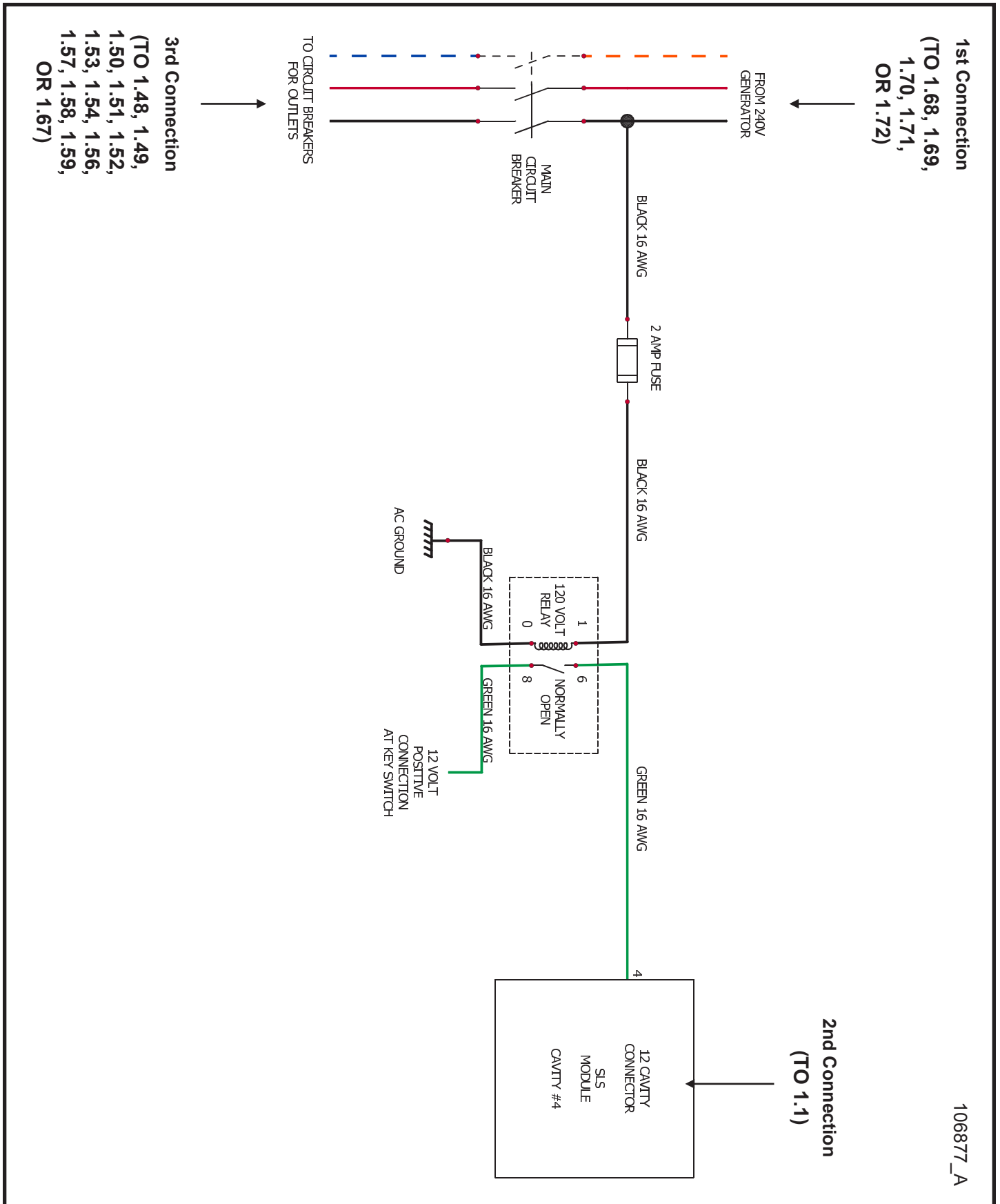
WIRE SCHEMATIC PAGE CONNECTION TABLE (7 of 7)

| Schematic Page | 1st Connection Page(s) | 2nd Connection Page(s) | 3rd Connection Page(s) | 4th Connection Page(s) |
|--|---|------------------------|------------------------|------------------------|
| 20kW 3P 208V 60Hz Cummins Schematic (1.72) | 1.3 or 1.4 | n/a | n/a | n/a |
| Hydraulic Vertical Pump w/ Key Switch Relay Schematic (1.73) | 1.1 or 1.2 | n/a | n/a | n/a |
| Interior Work Light Schematic (1.74) | 1.1 or 1.2 | n/a | n/a | n/a |
| GPS ZTR System Schematic (1.75) | 1.1 | n/a | n/a | n/a |
| Emergency Stop Schematic (1.76) | 1.5, 1.7, 1.8, 1.9, 1.10, 1.11, 1.13, 1.14, 1.15, or 1.16 | n/a | n/a | n/a |
| 102 Decibel Alarm Schematic (1.77) | 1.2 | n/a | n/a | n/a |
| Tail Light Schematic (1.78) | 1.81 or 1.82 | 1.80 | n/a | n/a |
| Electrical Brake Tail Light Schematic (1.79) | n/a | n/a | n/a | n/a |
| Marker Lights Schematic (1.80) | 1.78 | n/a | n/a | n/a |
| License Plate Light Schematic (1.81) | 1.78 | n/a | n/a | n/a |
| License Plate LED Light Schematic (1.82) | 1.78 | n/a | n/a | n/a |

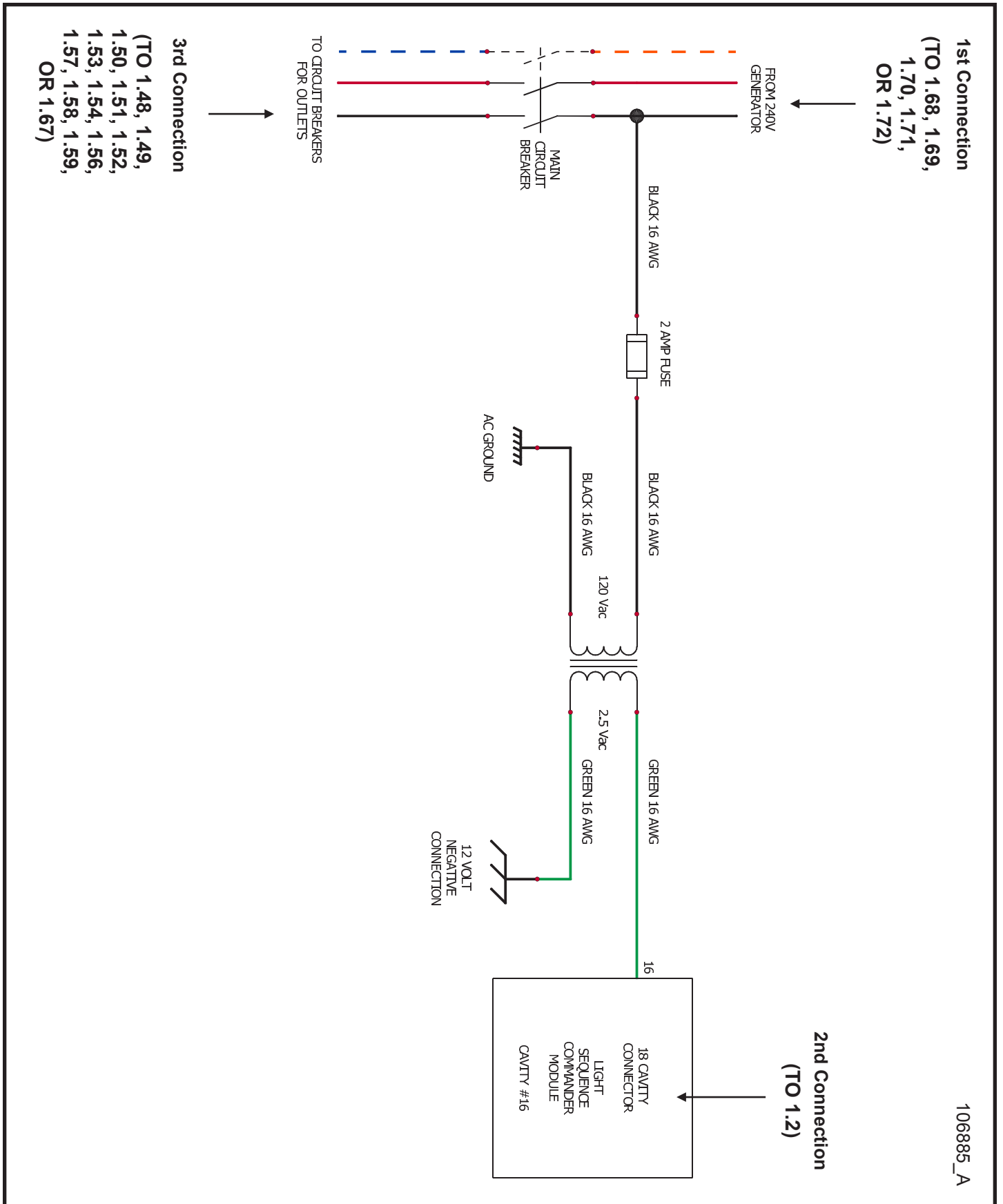
1.2 - LSC Schematic



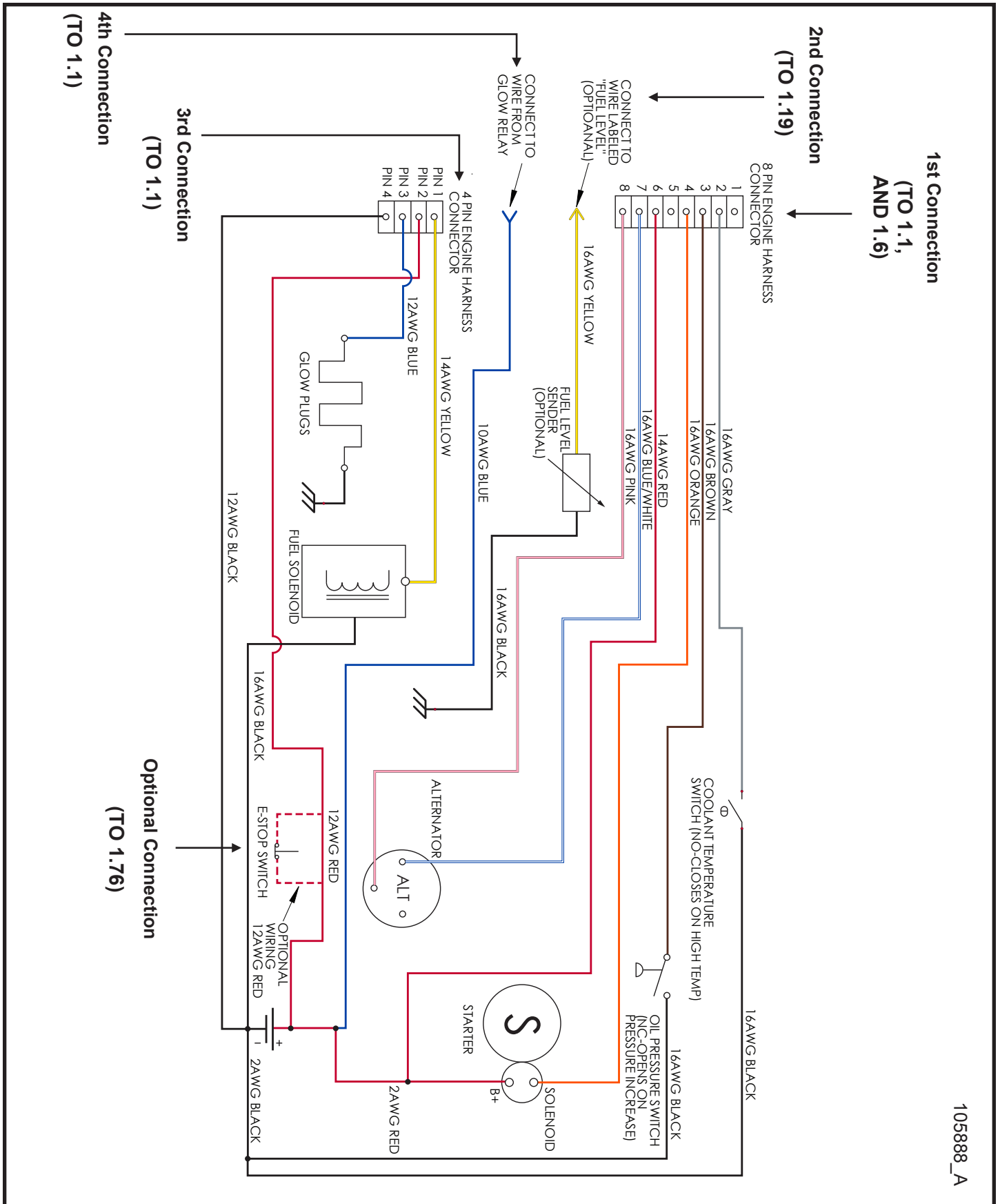
1.3 - SLS 1.1 Relay Addition Schematic



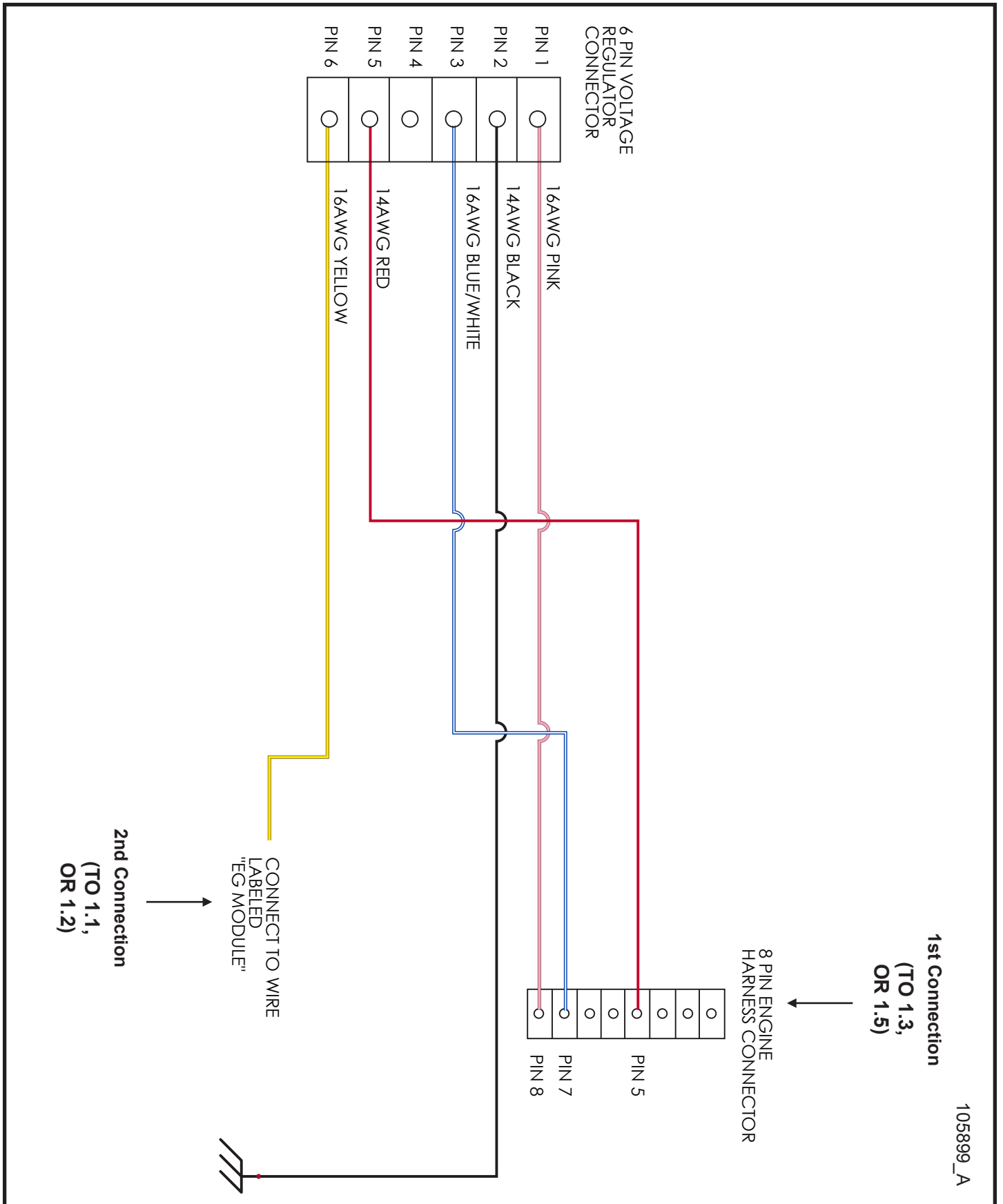
1.4 - LSC 2.1 120V Transformer Schematic



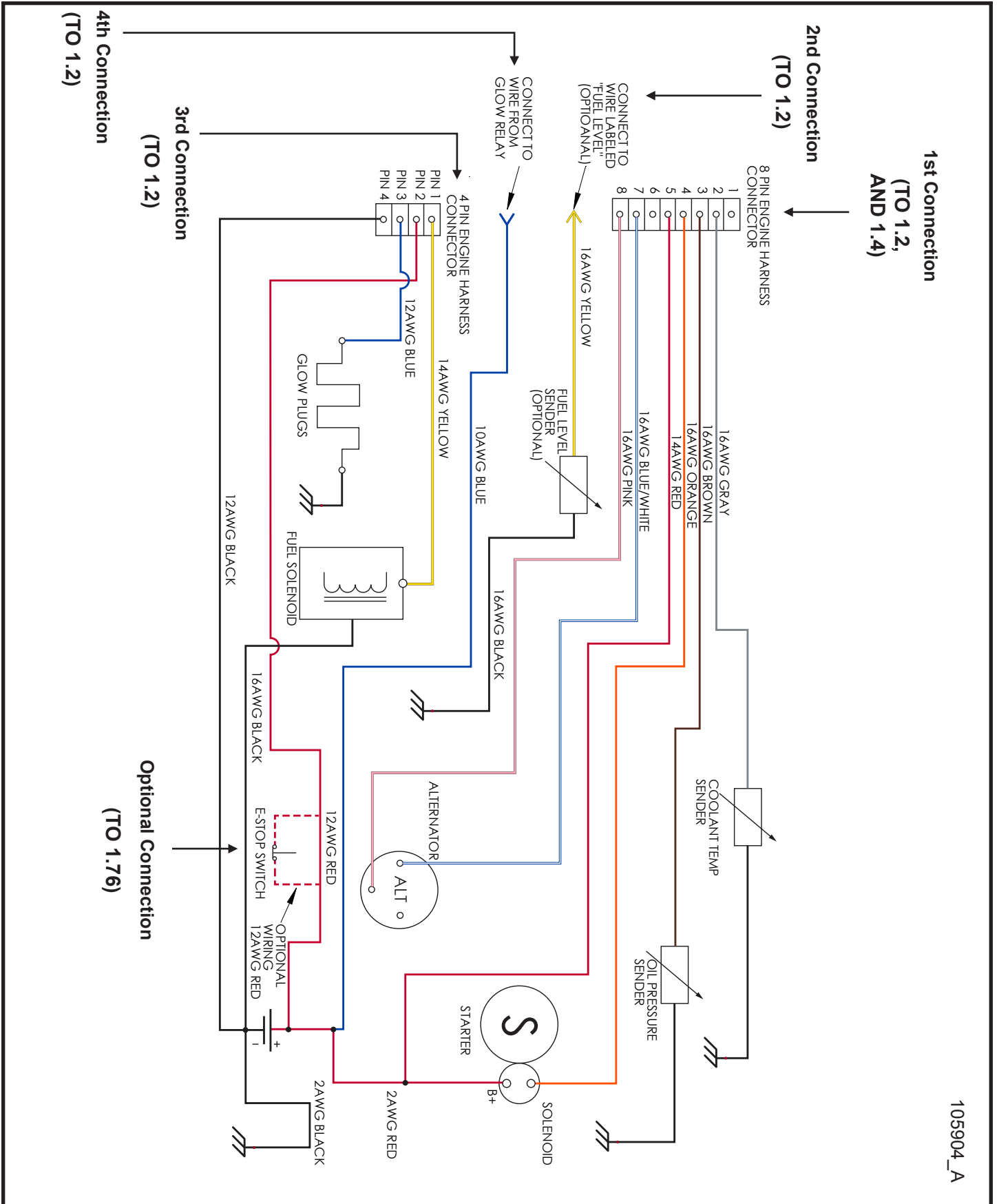
1.5 - CAT C1.1 Schematic



1.6 - CAT C1.1 Voltage Regulator Schematic

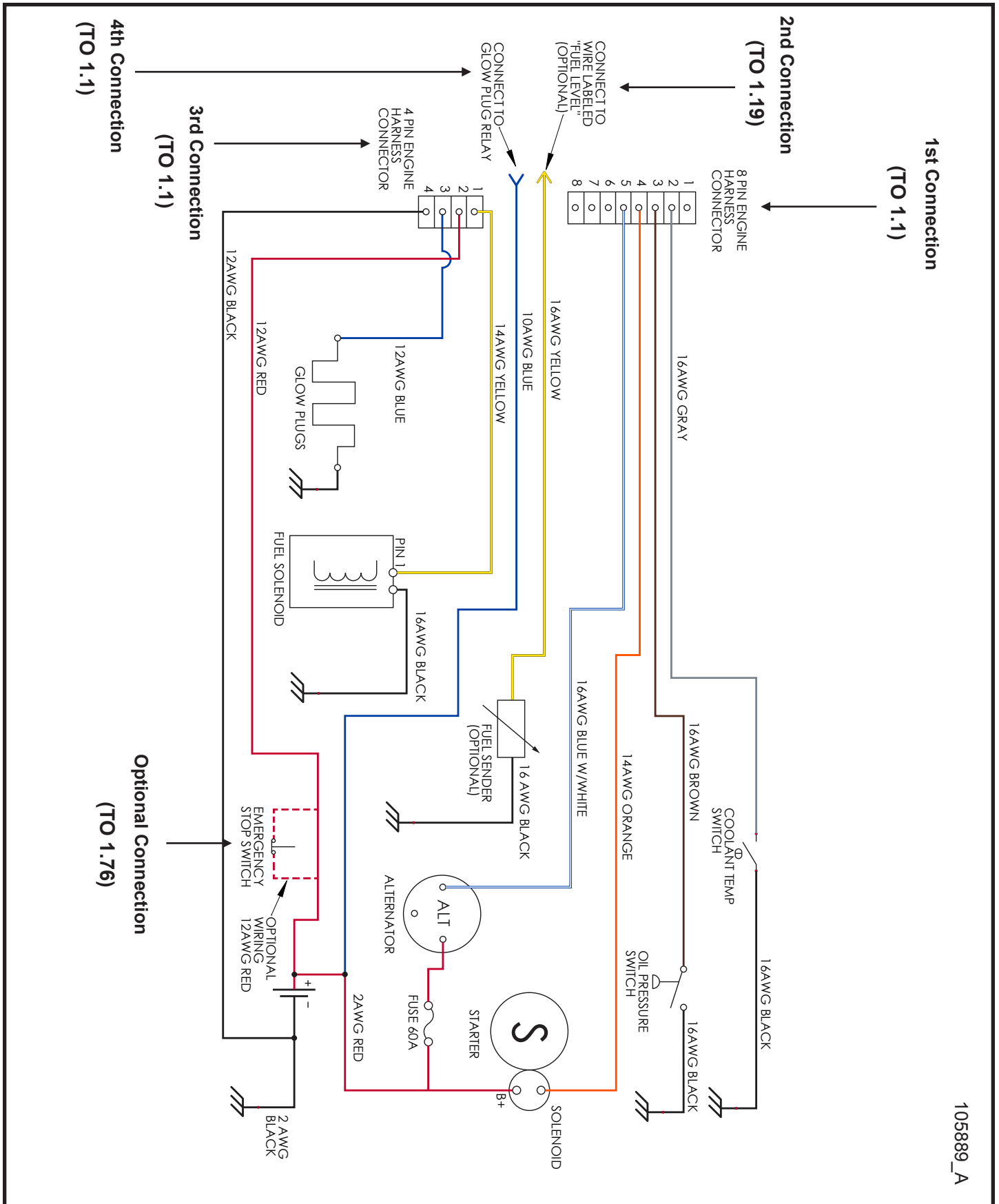


1.7 - CAT C1.1 LSC Schematic

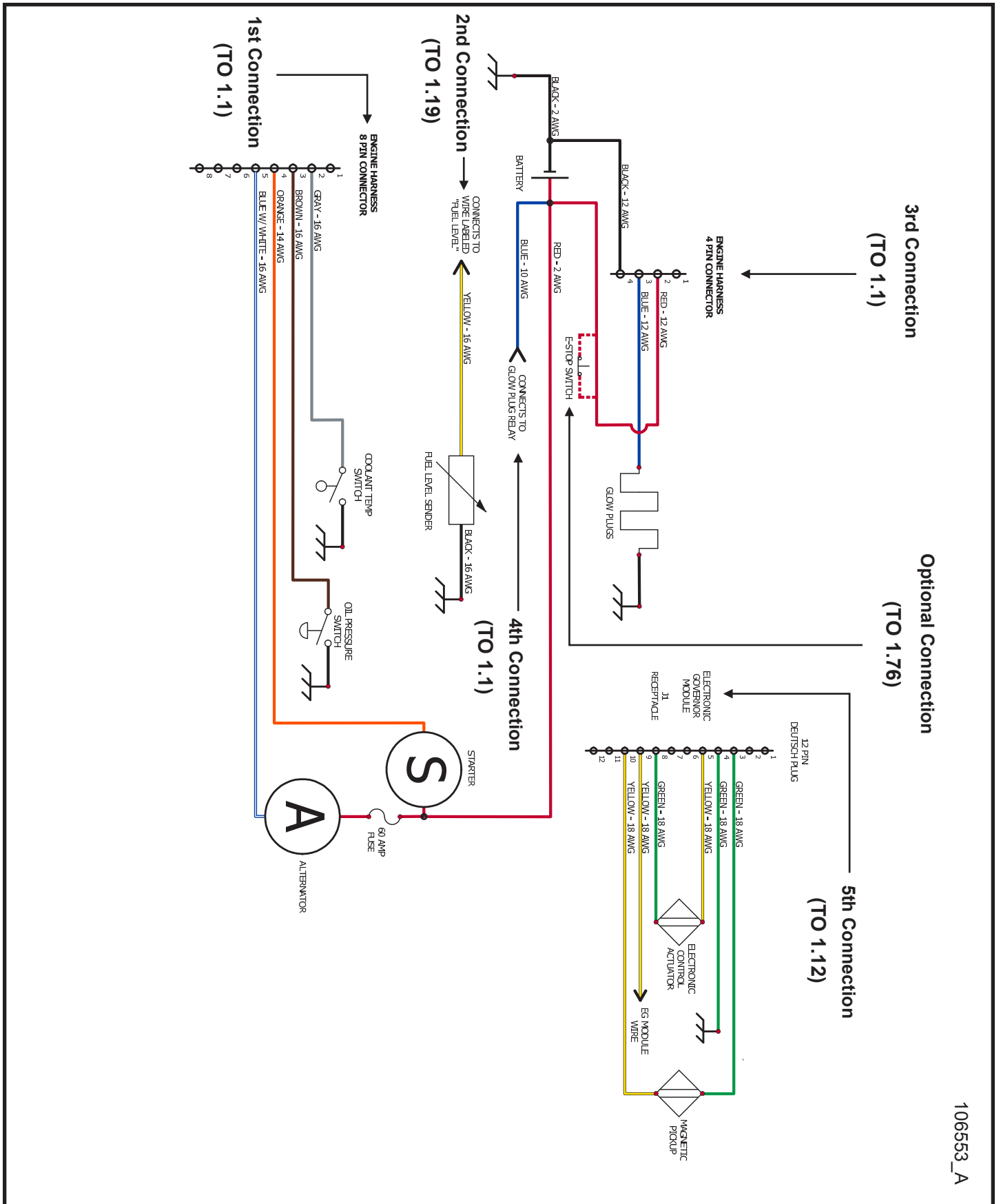


105904_A

1.8 - CAT C1.5 Schematic

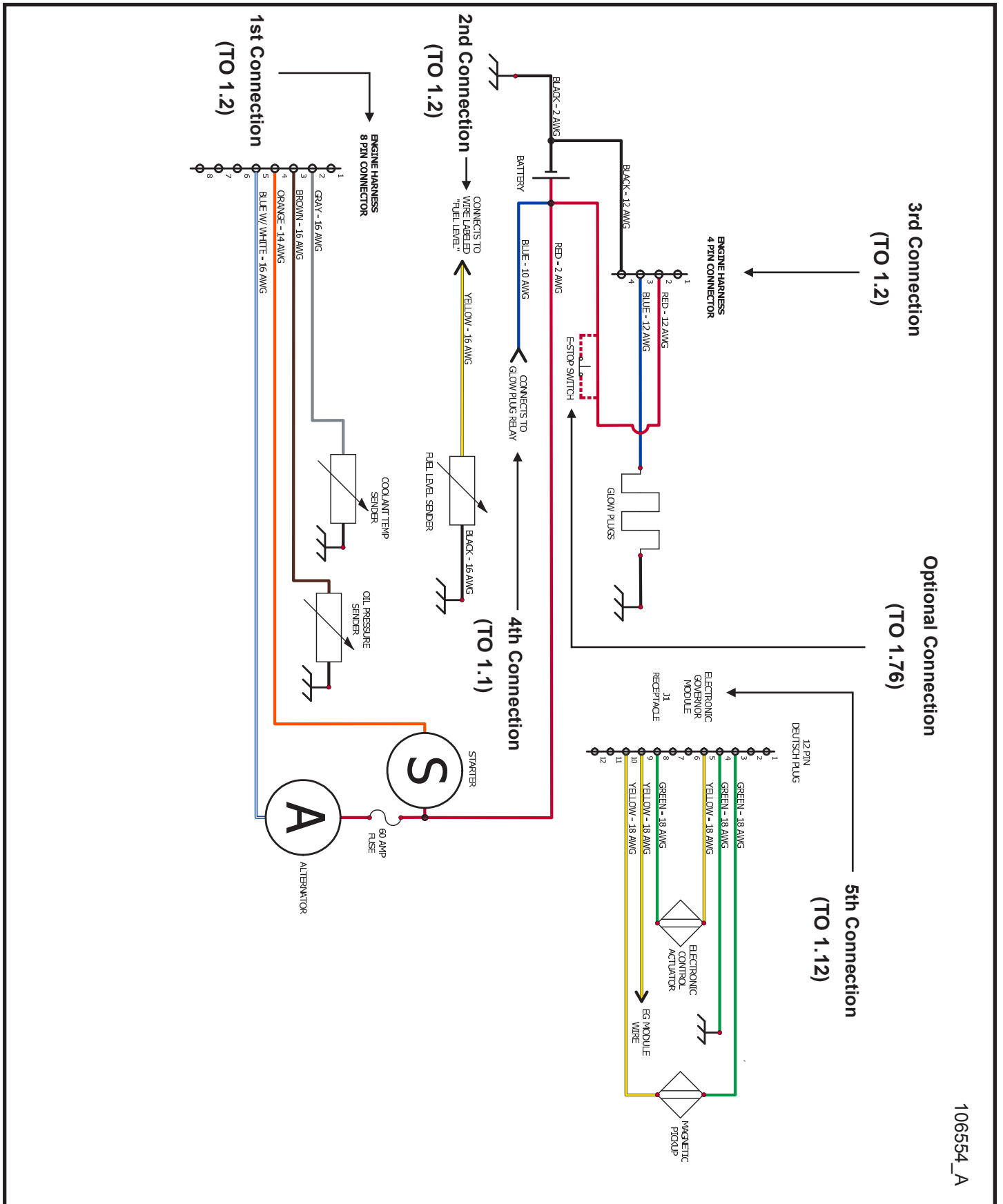


1.10 - CAT C1.5 Turbo Schematic



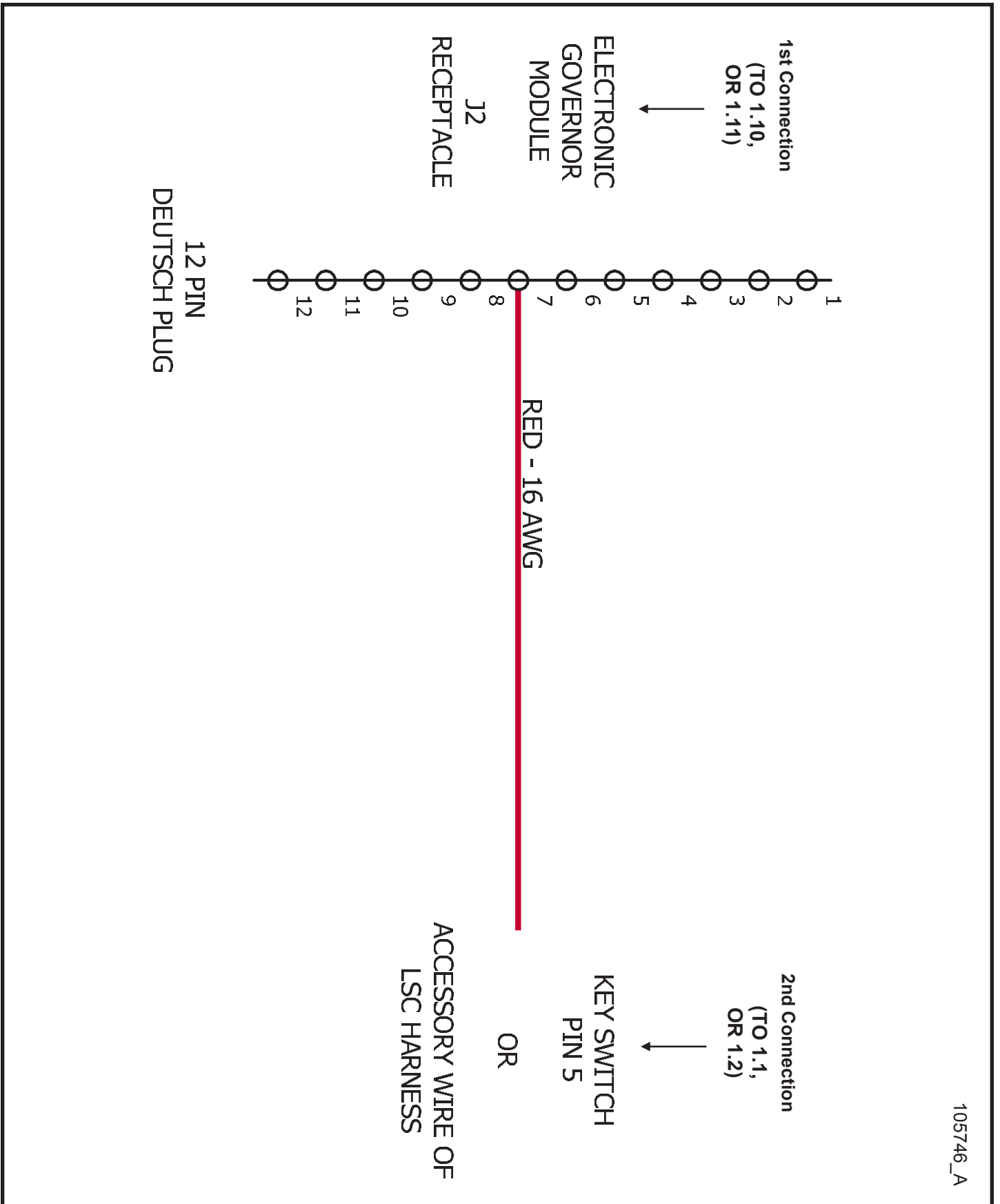
106553_A

1.11 - CAT C1.5 Turbo LSC Schematic



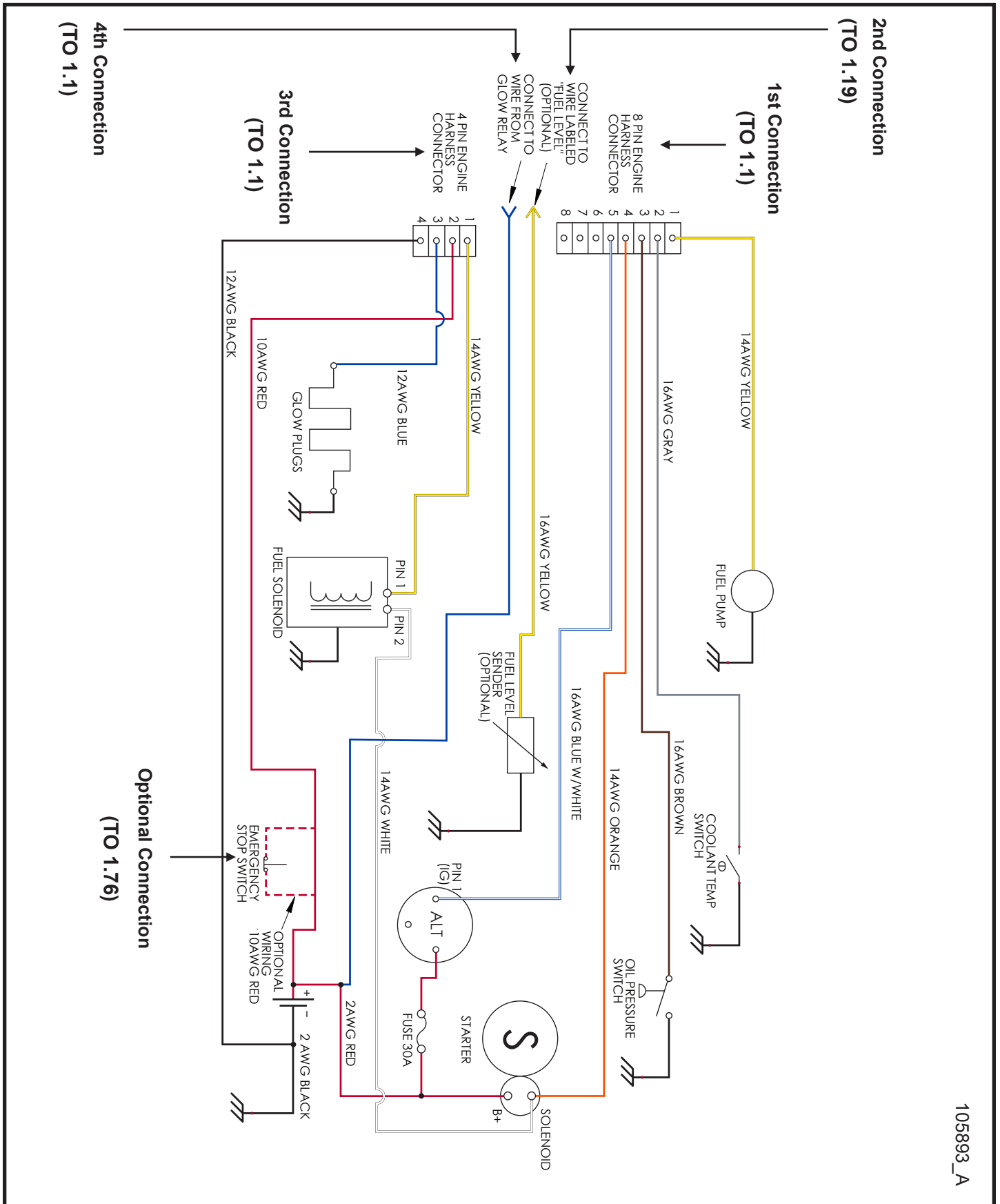
106554_A

1.12 - CAT C1.5 Turbo Governor Schematic



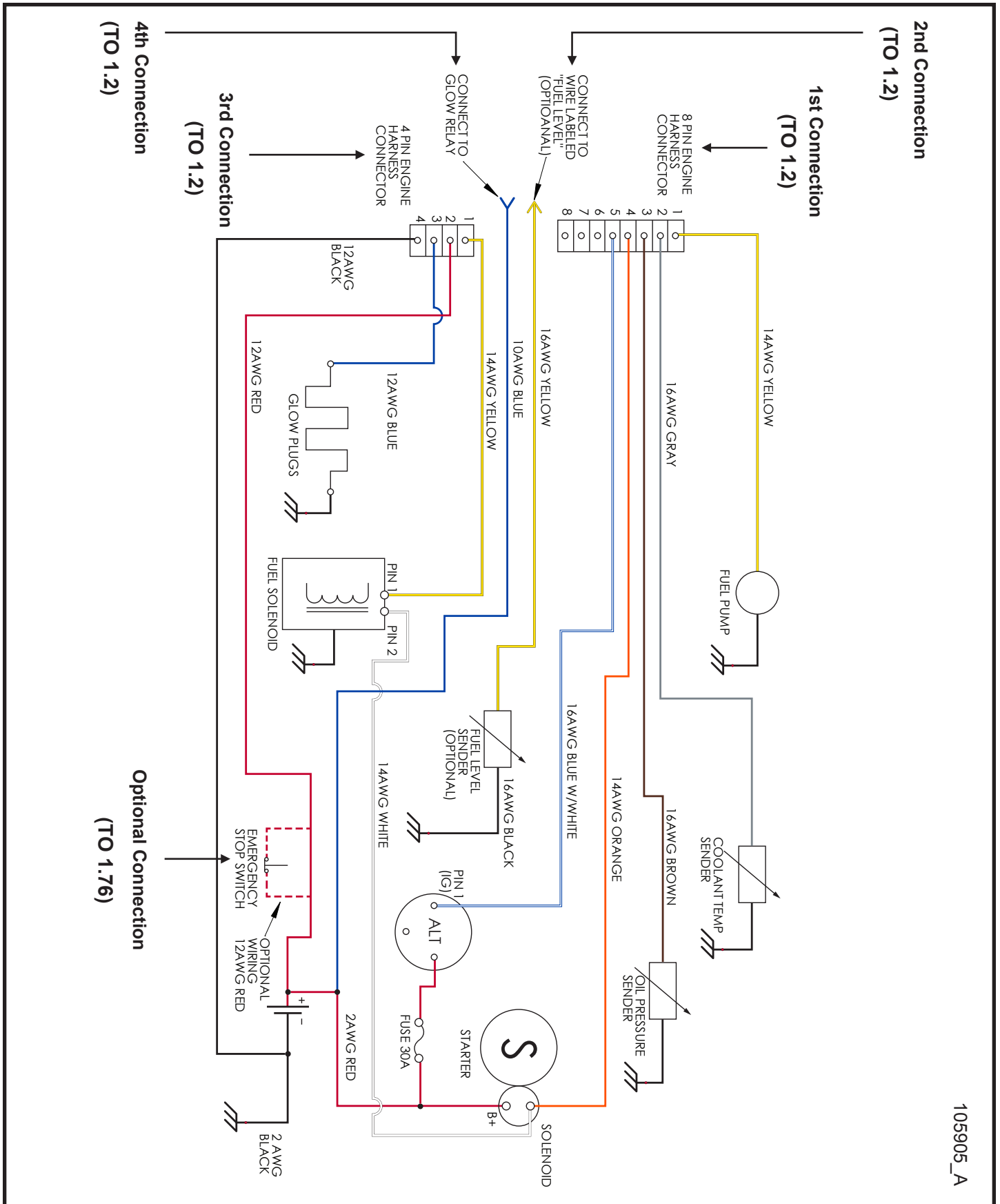
105746_A

1.13 - Kubota D1005/1105 Schematic

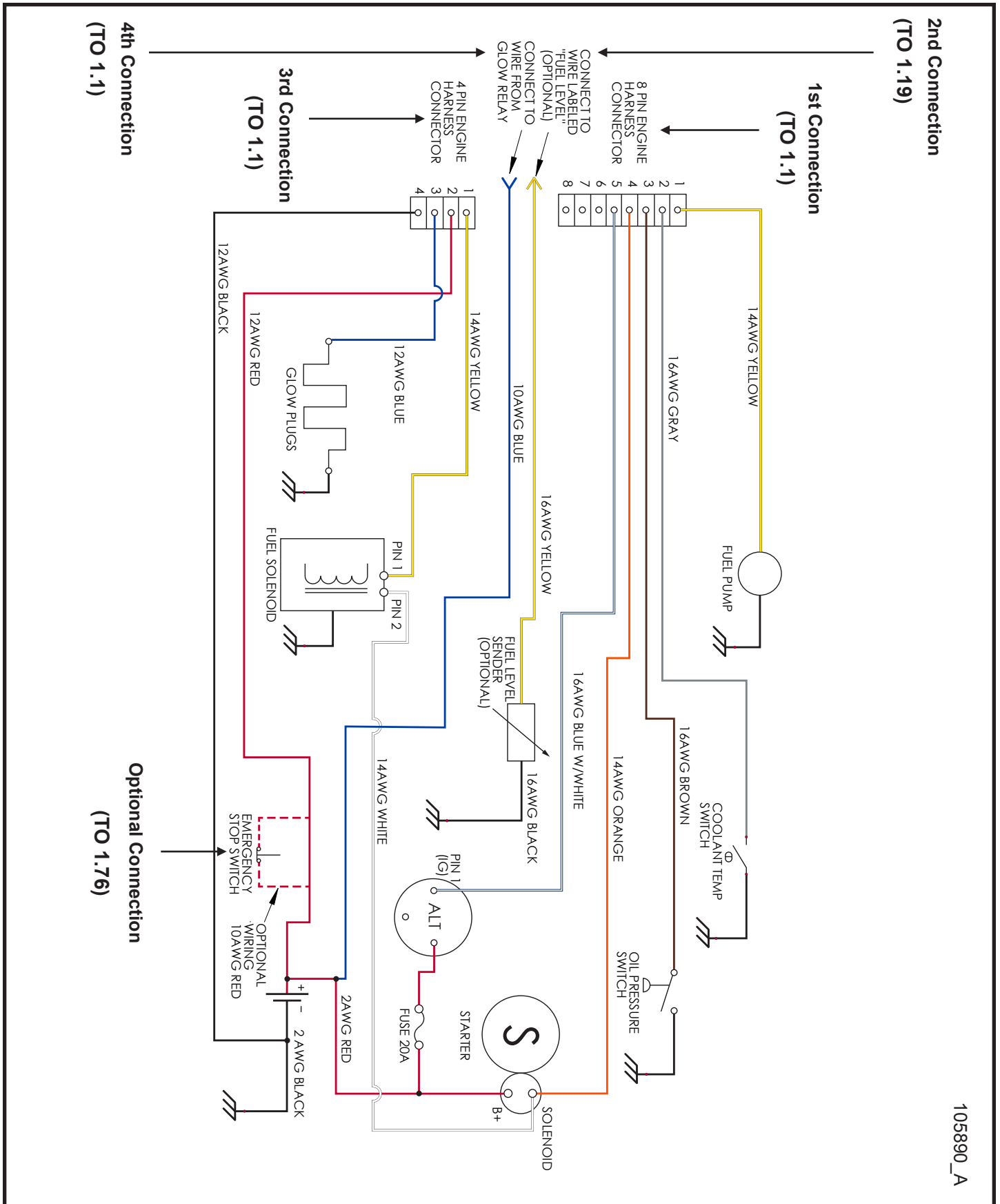


105893_A

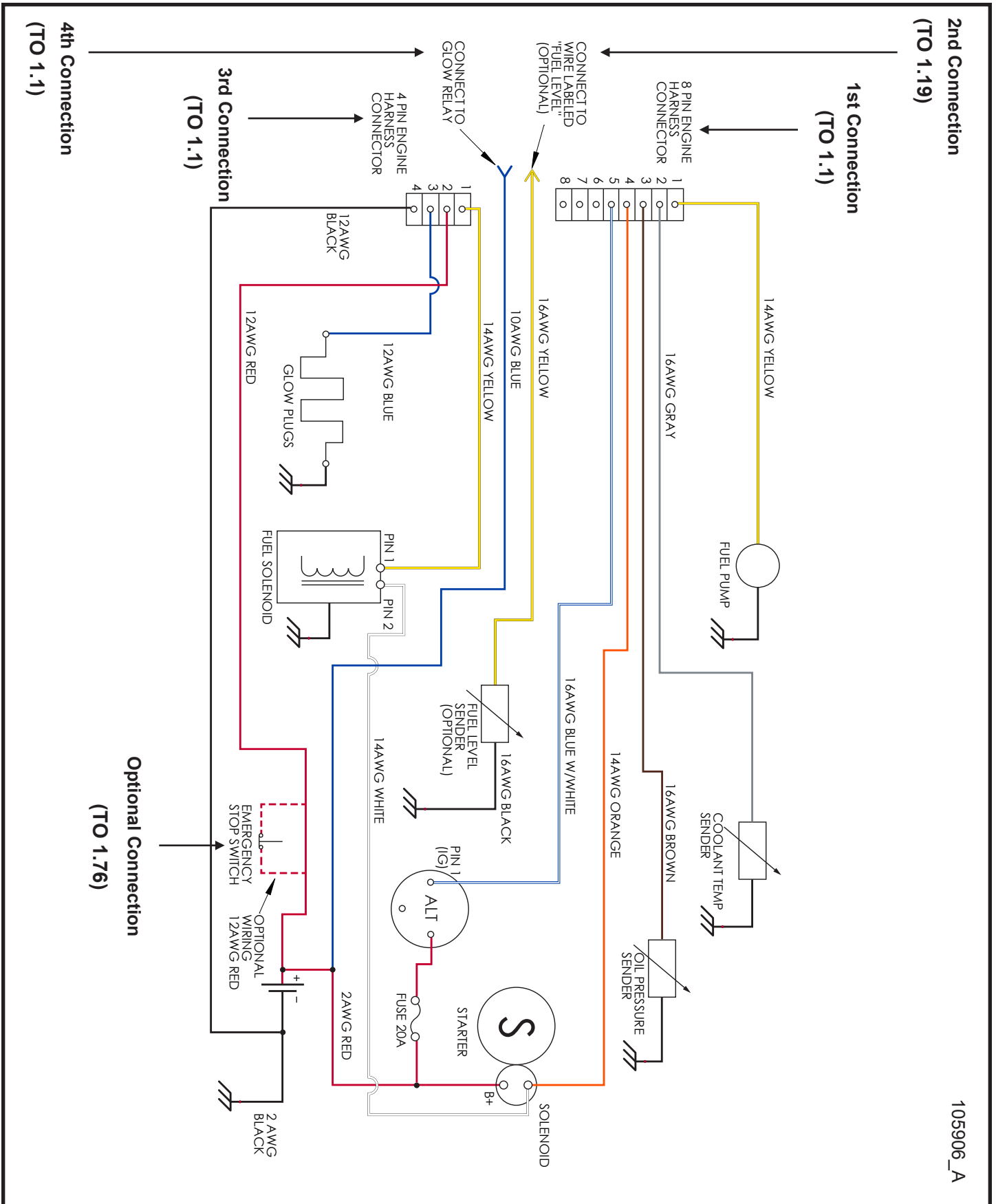
1.14 - Kubota D1005/1105 LSC Schematic



1.15 - Isuzu 4LE1 Schematic

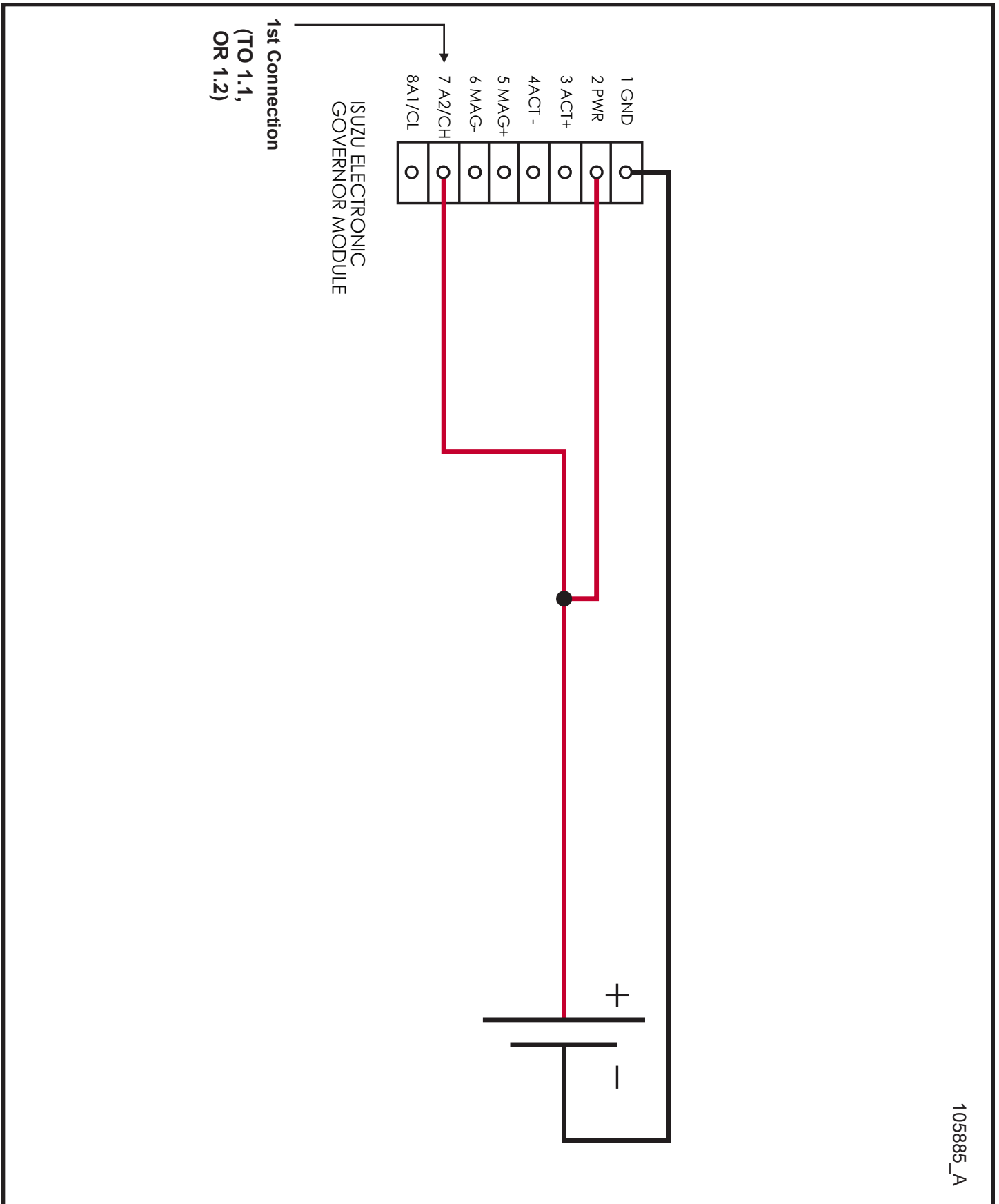


1.16 - Isuzu 4LE1 LSC Schematic

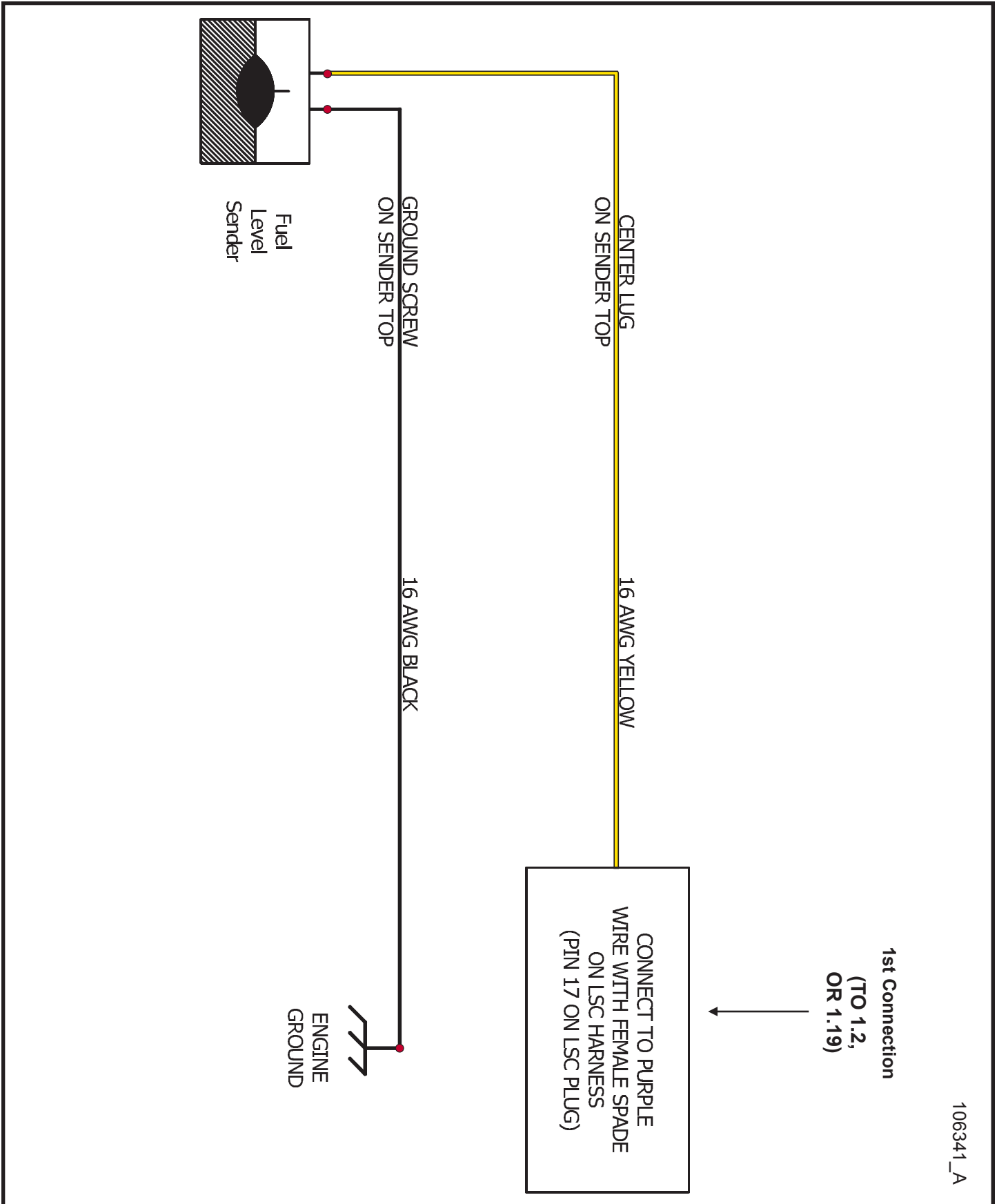


105906_A

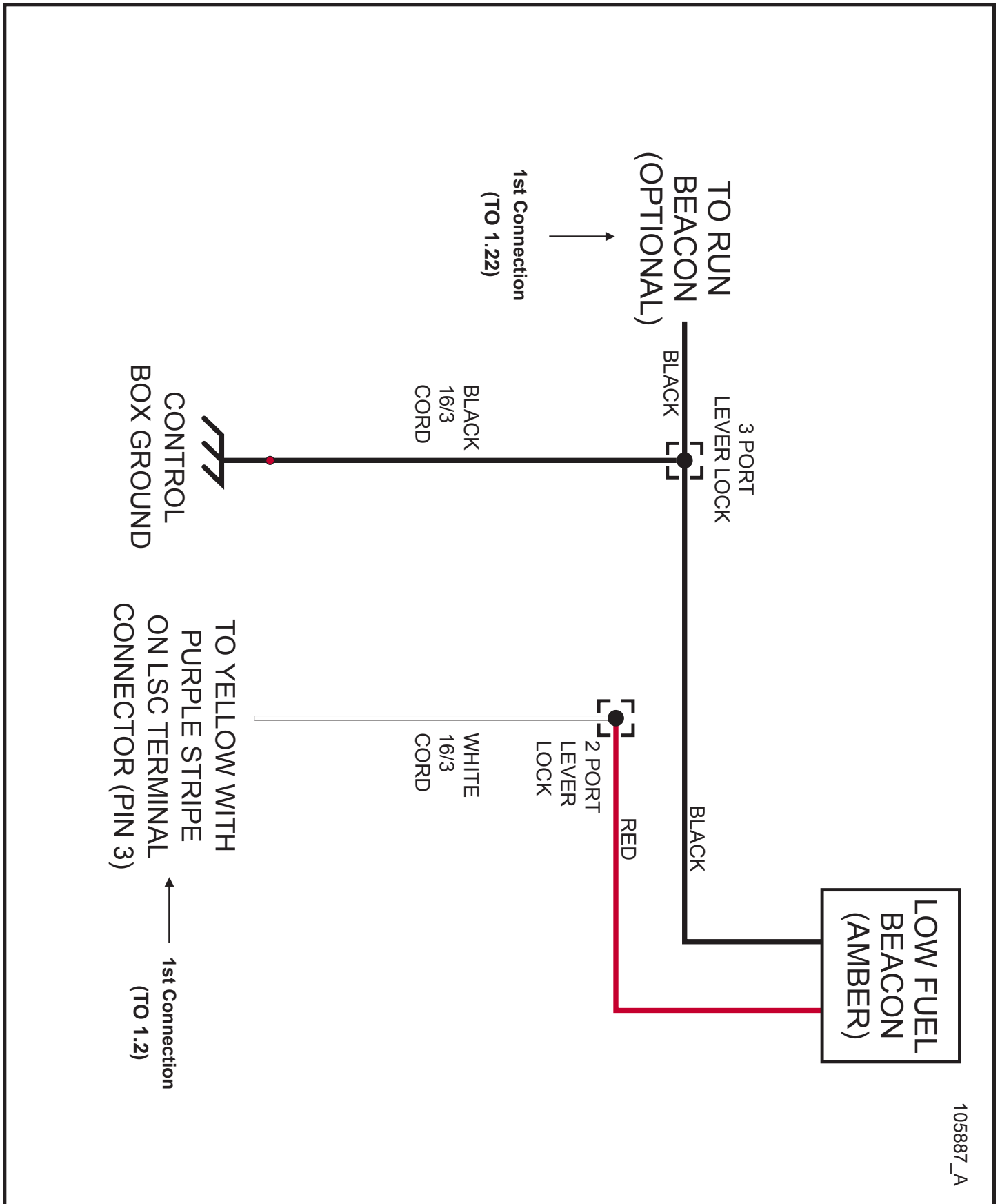
1.17 - Isuzu 4LE1 Governor Schematic



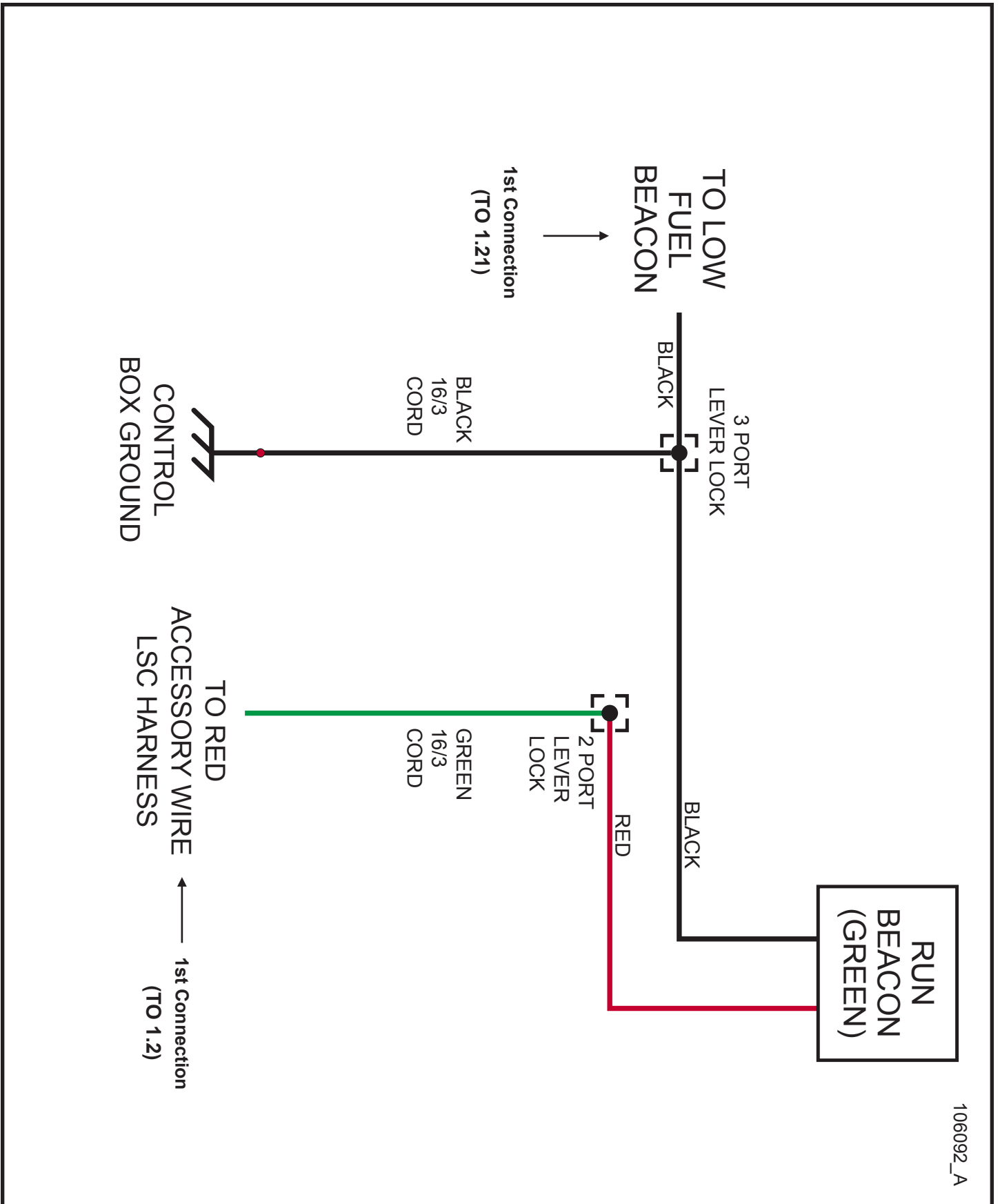
1.20 - Low Fuel Sender Schematic



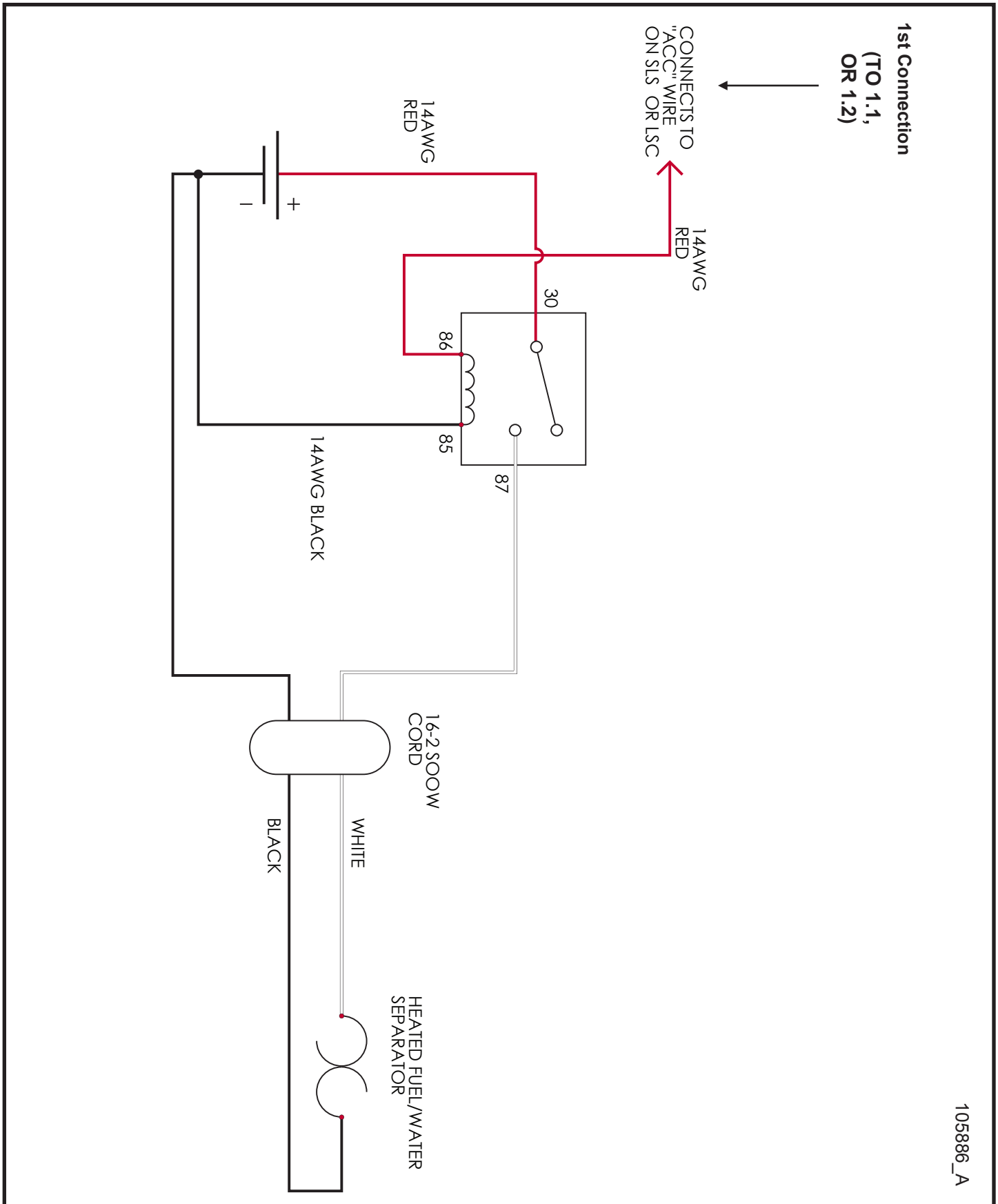
1.21 - Fuel Beacon Run Light Schematic



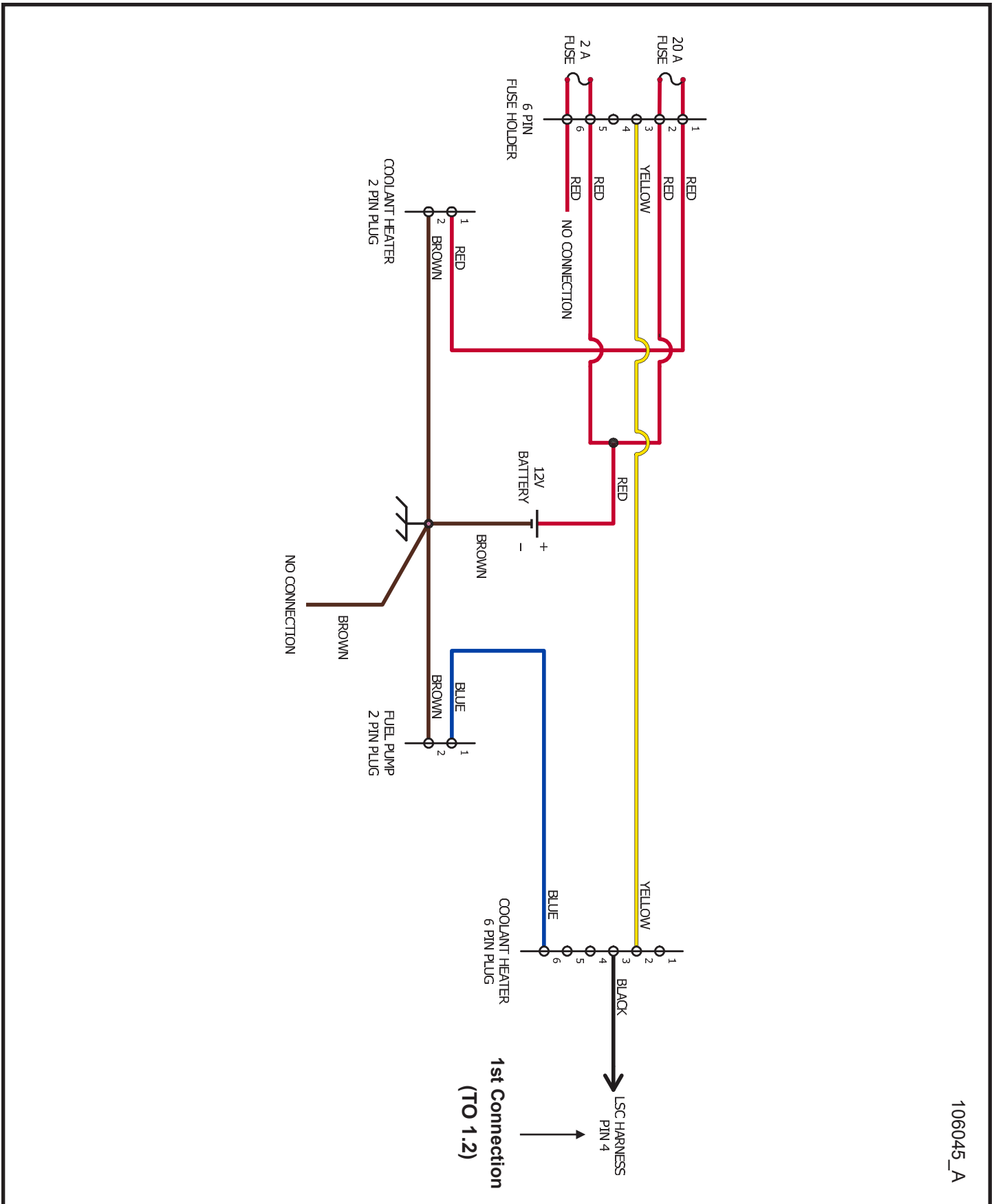
1.22 - Run Beacon Schematic



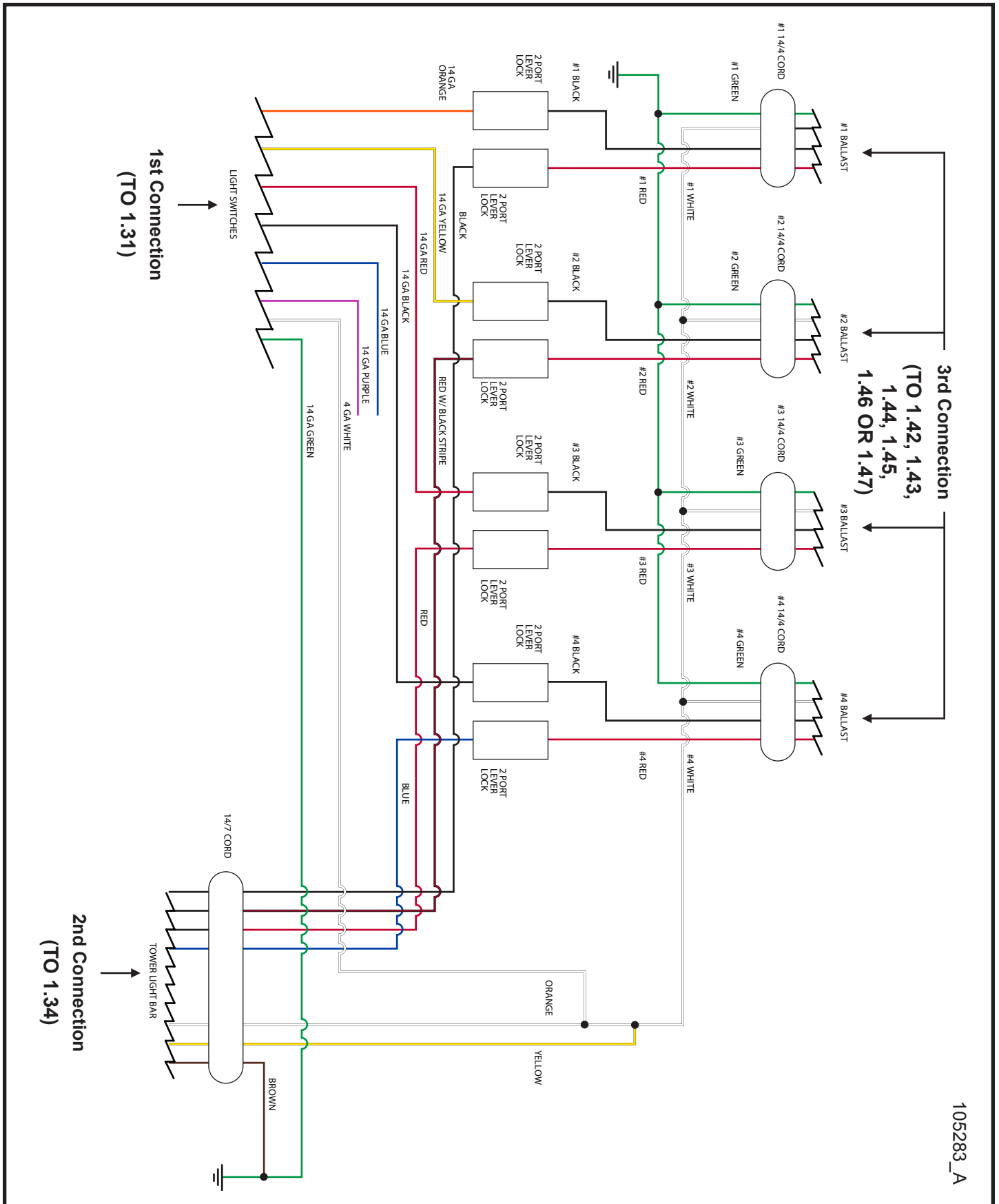
1.23 - Heated Fuel/Water Separator Schematic



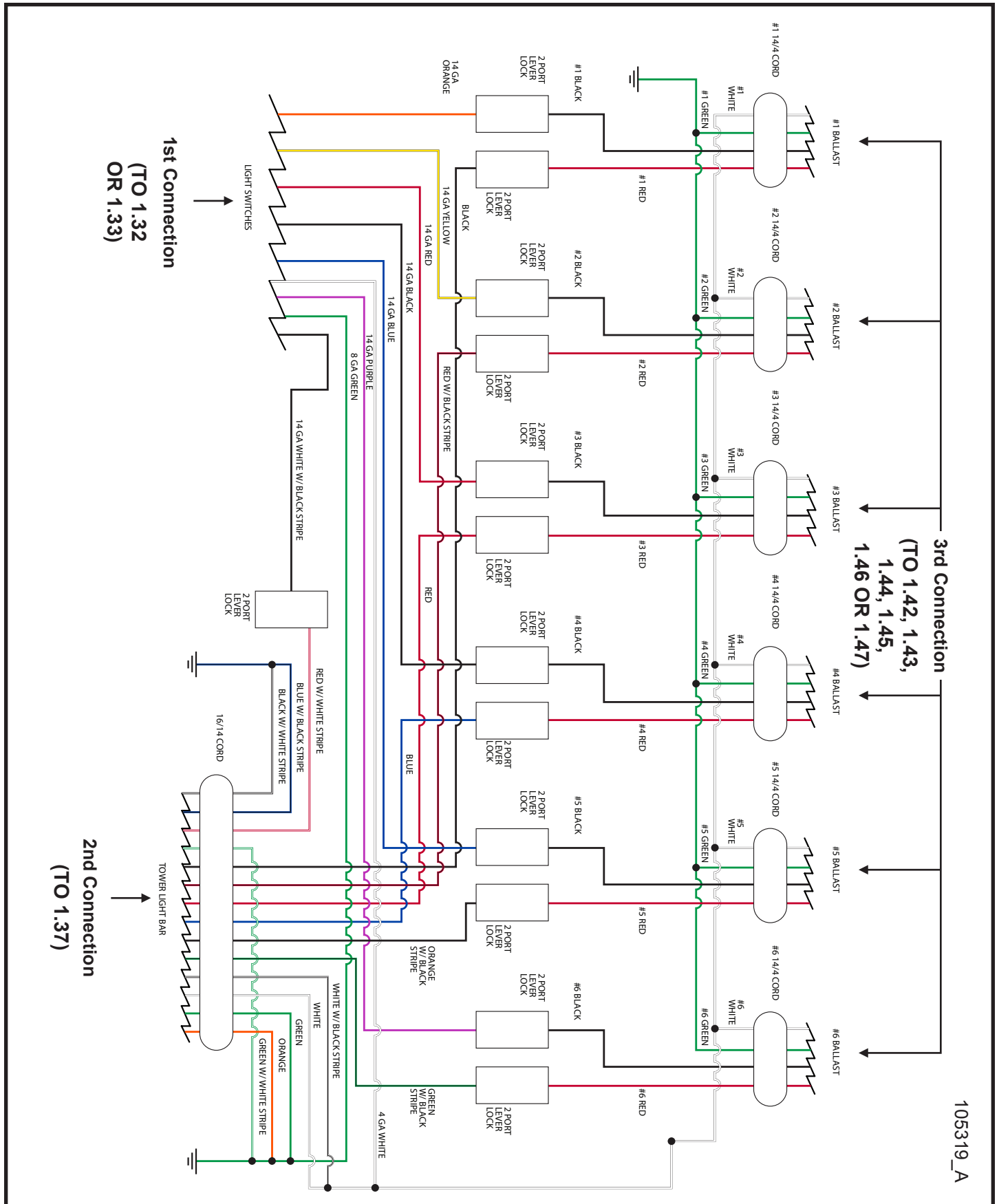
1.24 - Diesel Fired Block Heater Schematic



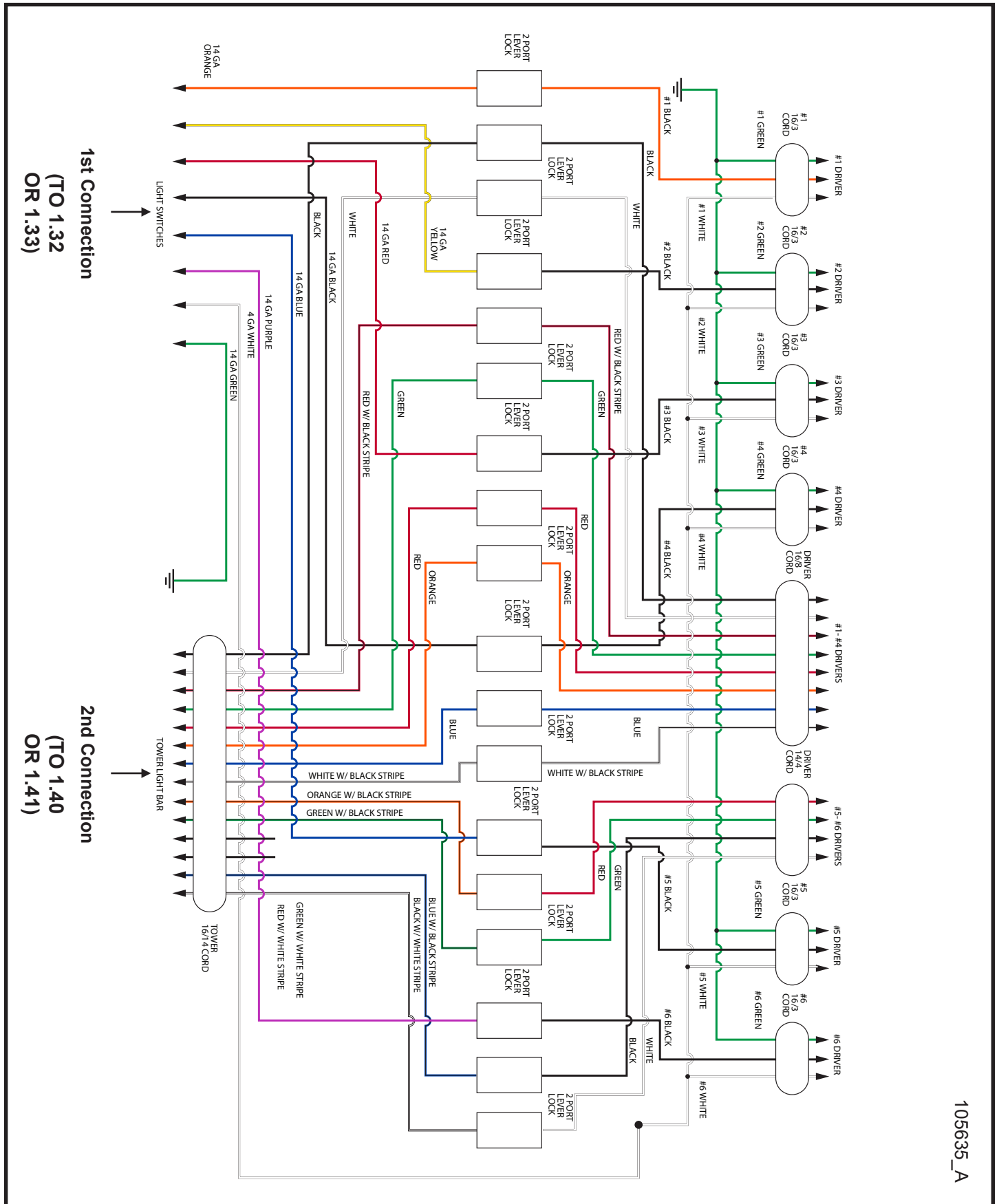
1.25 - 4 Light 14/7 Cord Junction Box Schematic



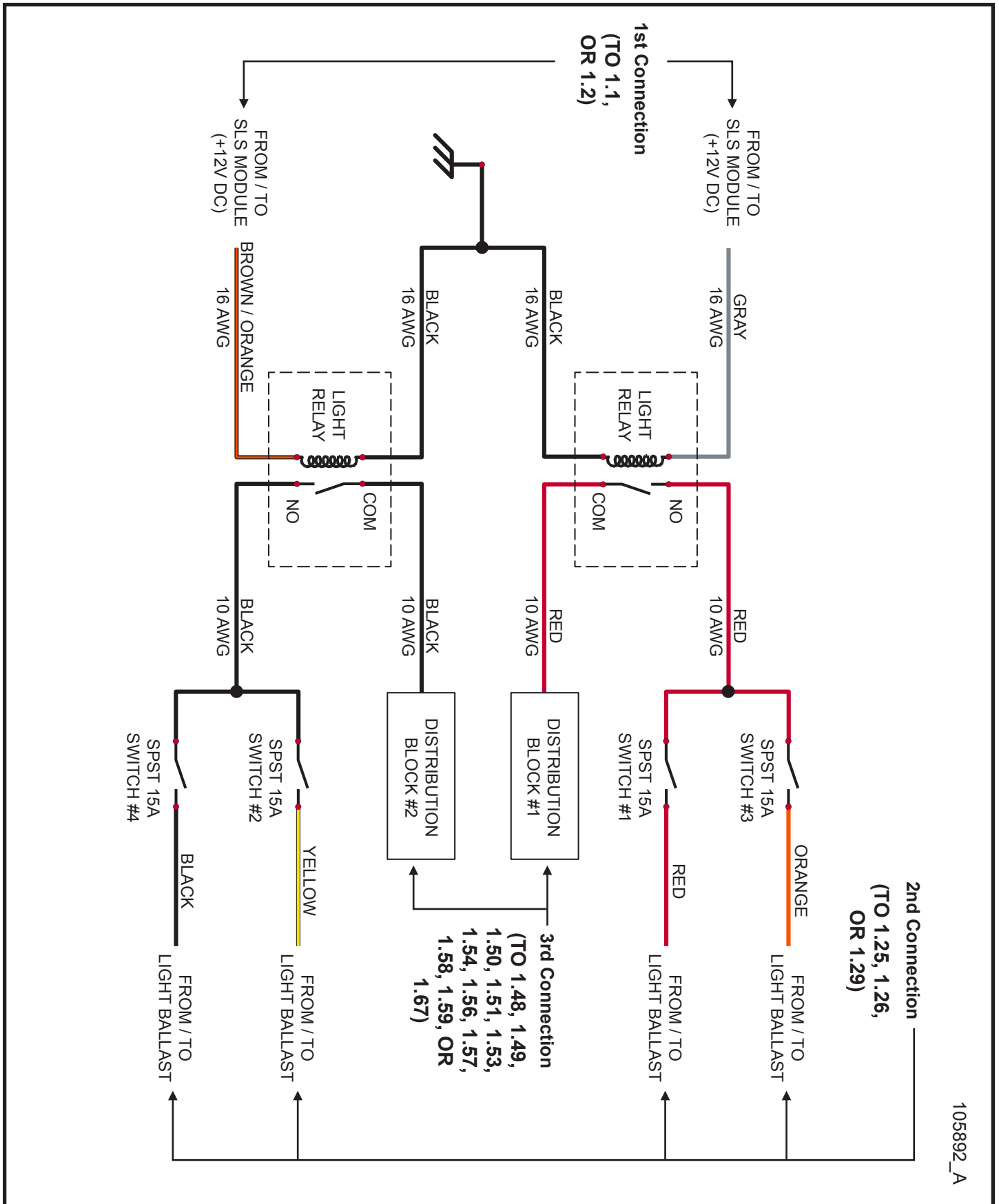
1.28 - 6 Light 16/14 Cord w/Aux Light Junction Box Schematic



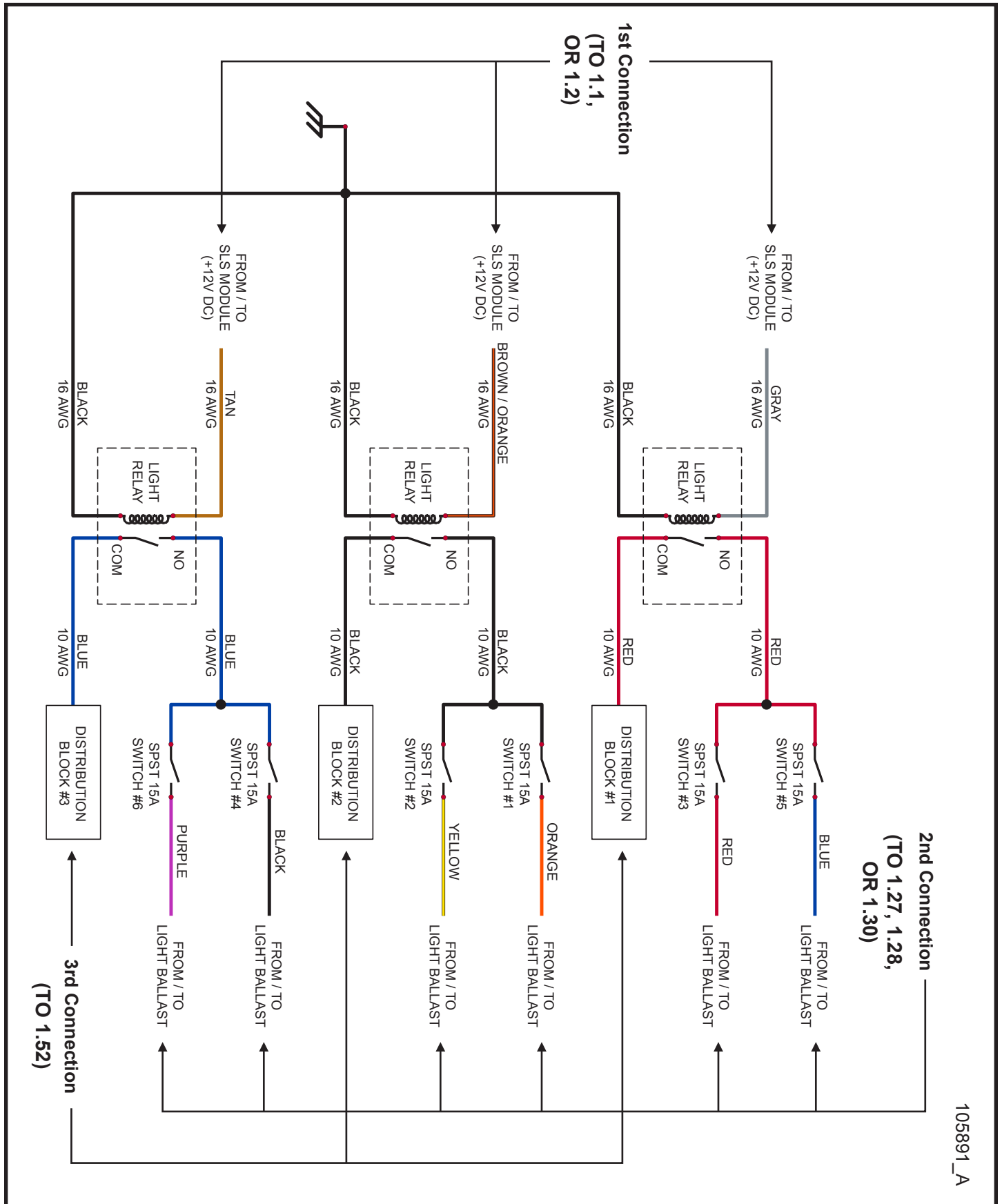
1.30 - 6 LED Light Junction Box Schematic



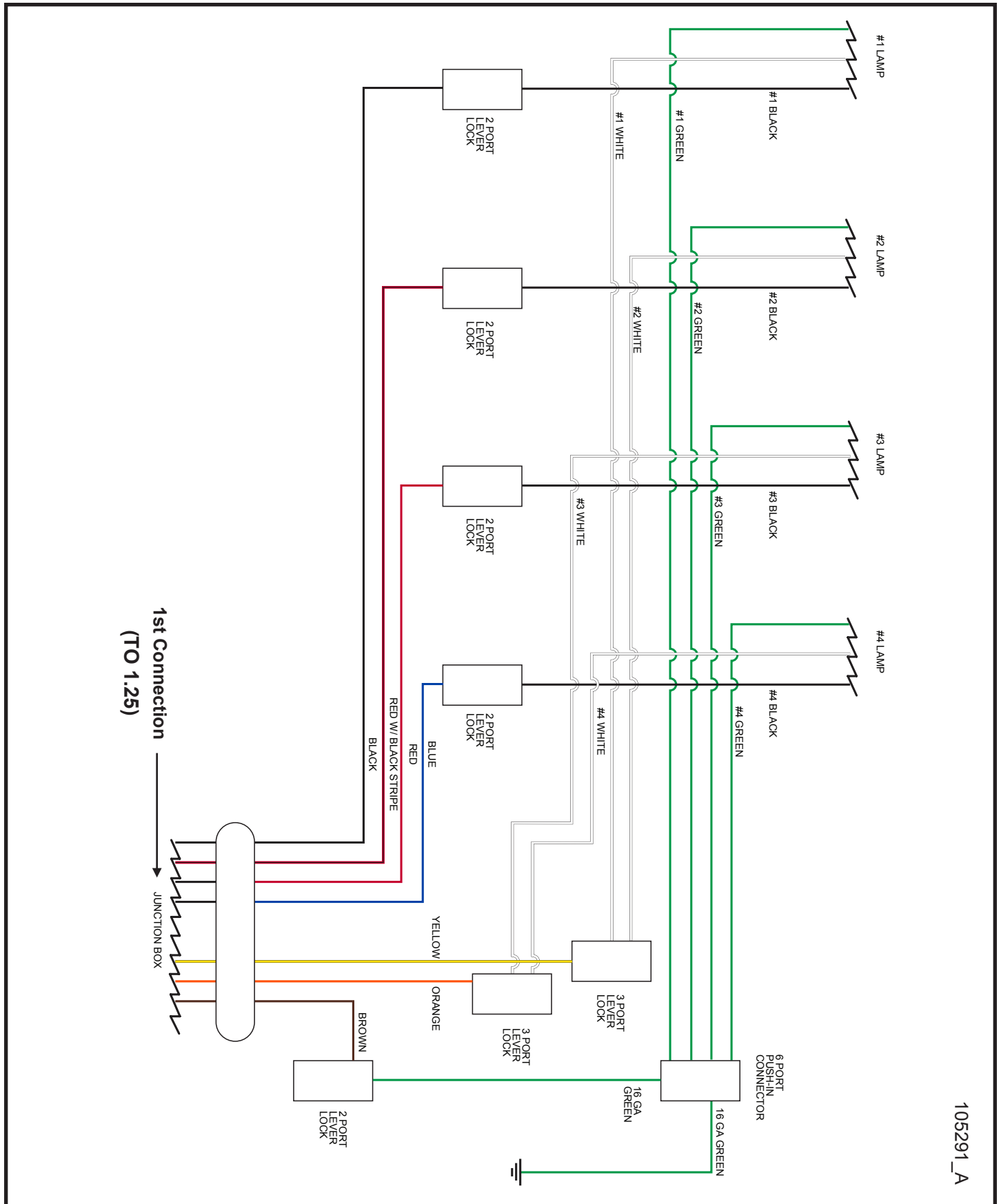
1.31 - 4 Light 2 Relay Schematic



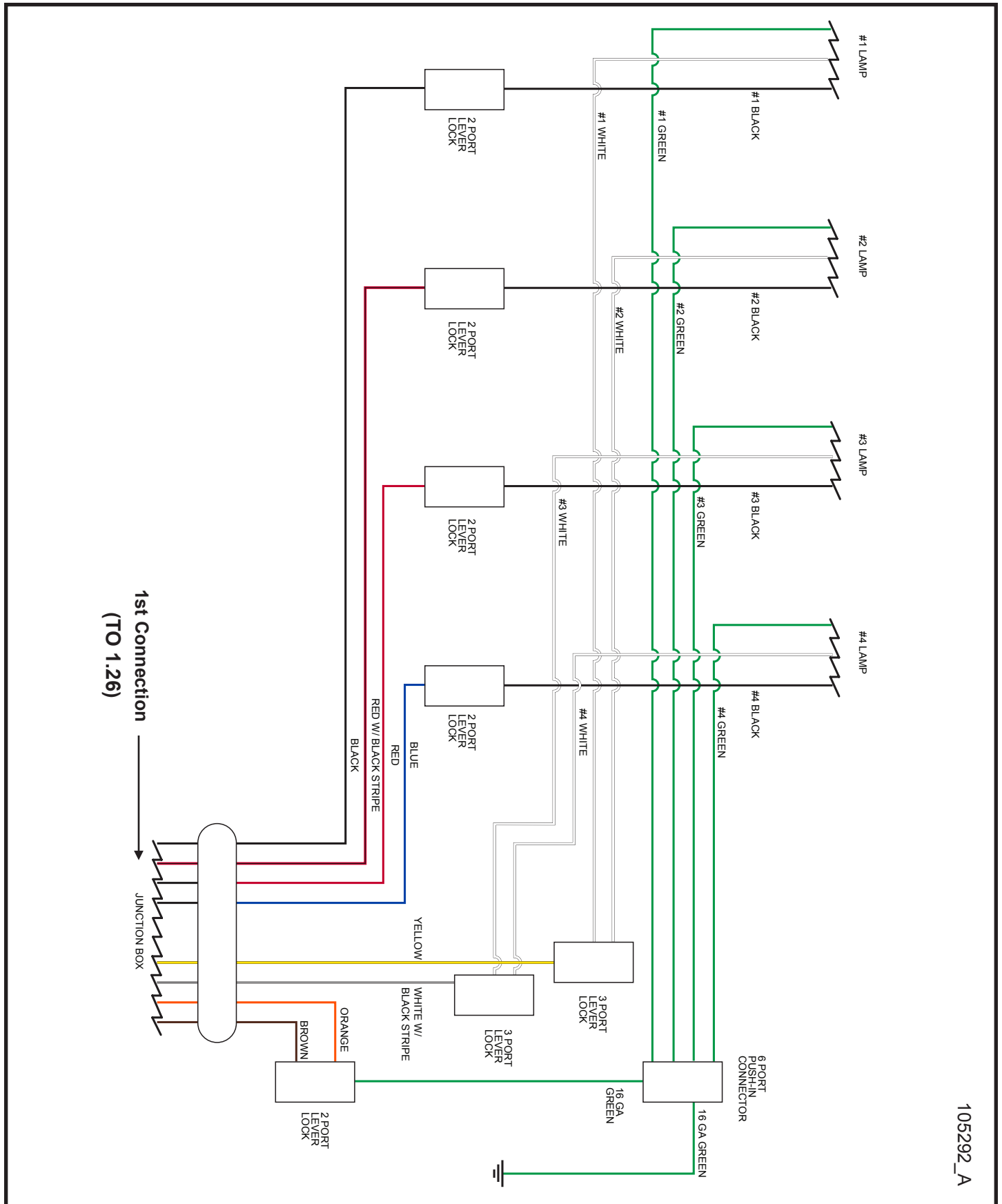
1.33 - 6 Light 3 Relay Schematic



1.34 - 4 Light 14/7 Cord Schematic

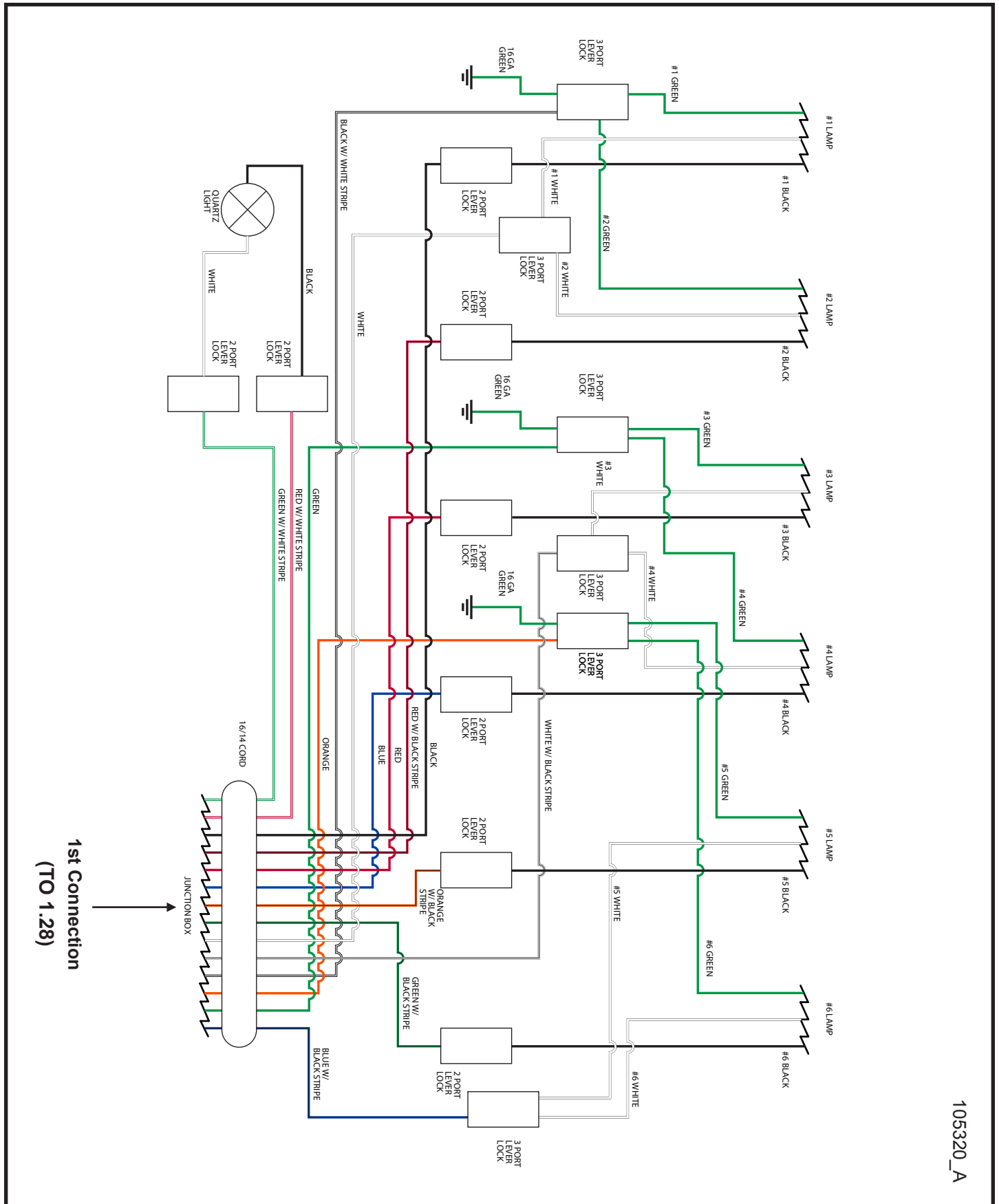


1.35 - 4 Light 16/8 Cord Schematic

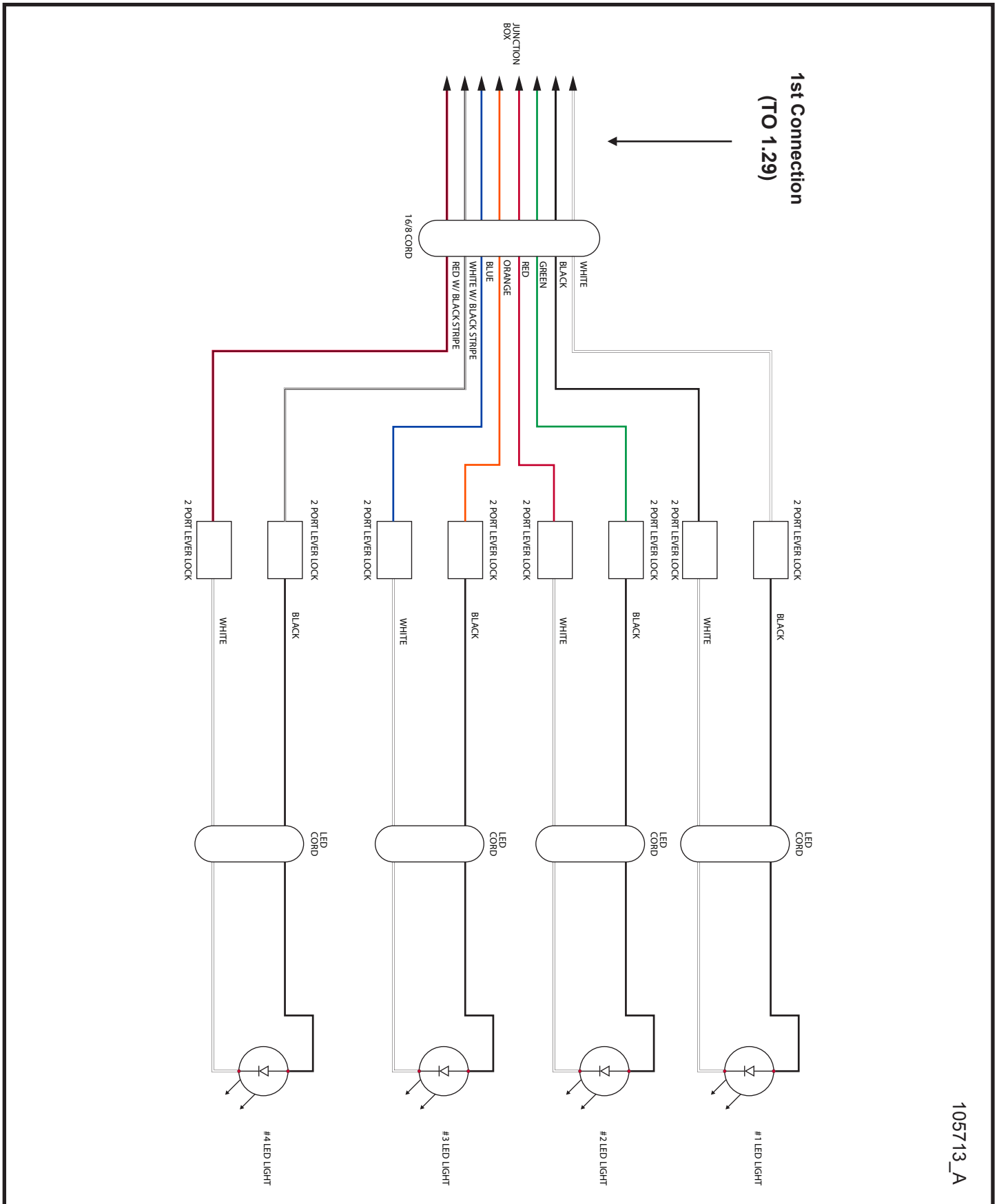


105292_A

1.37 - 6 Light 16/14 Cord Schematic

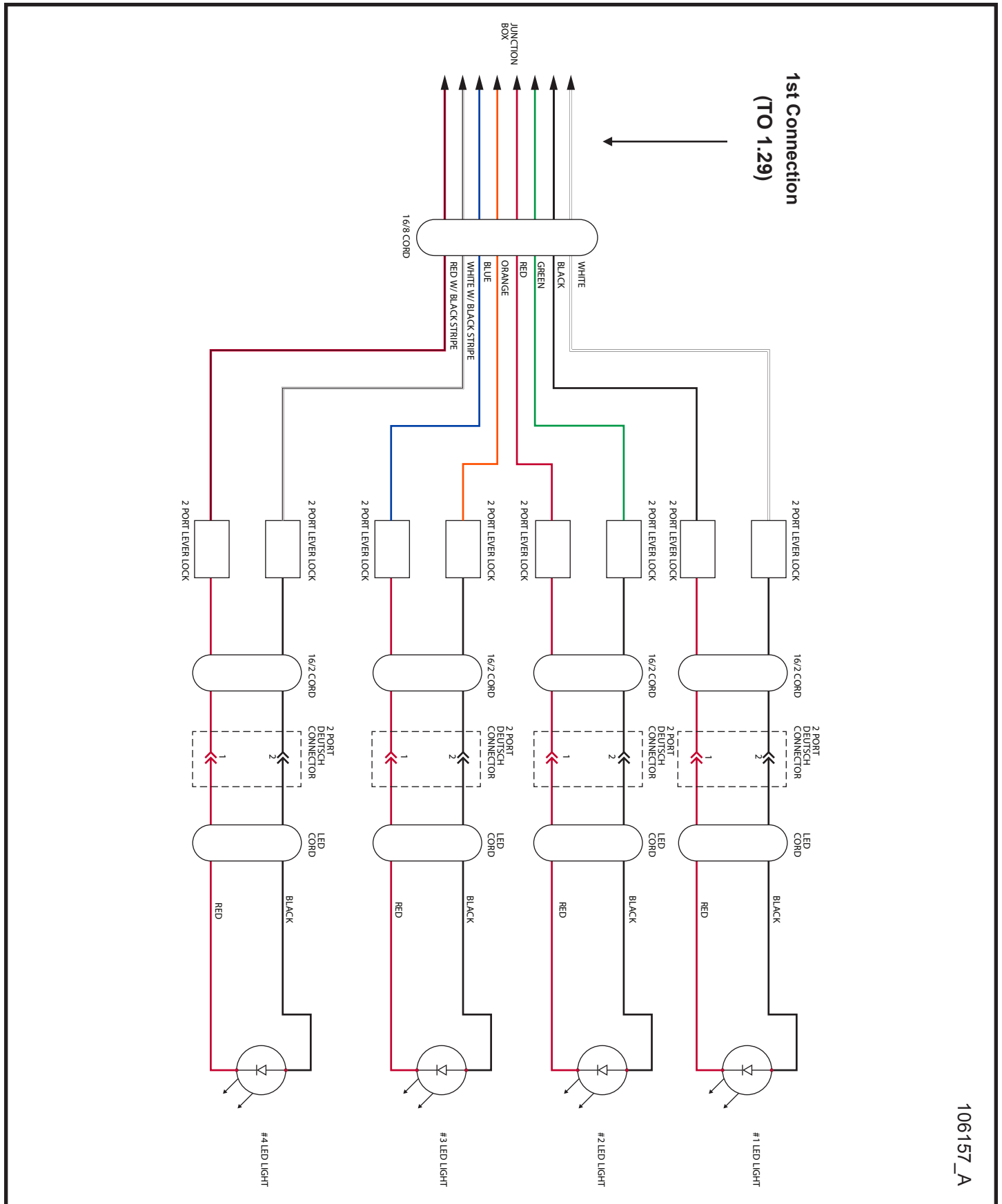


1.38 - 4 Light LED Schematic



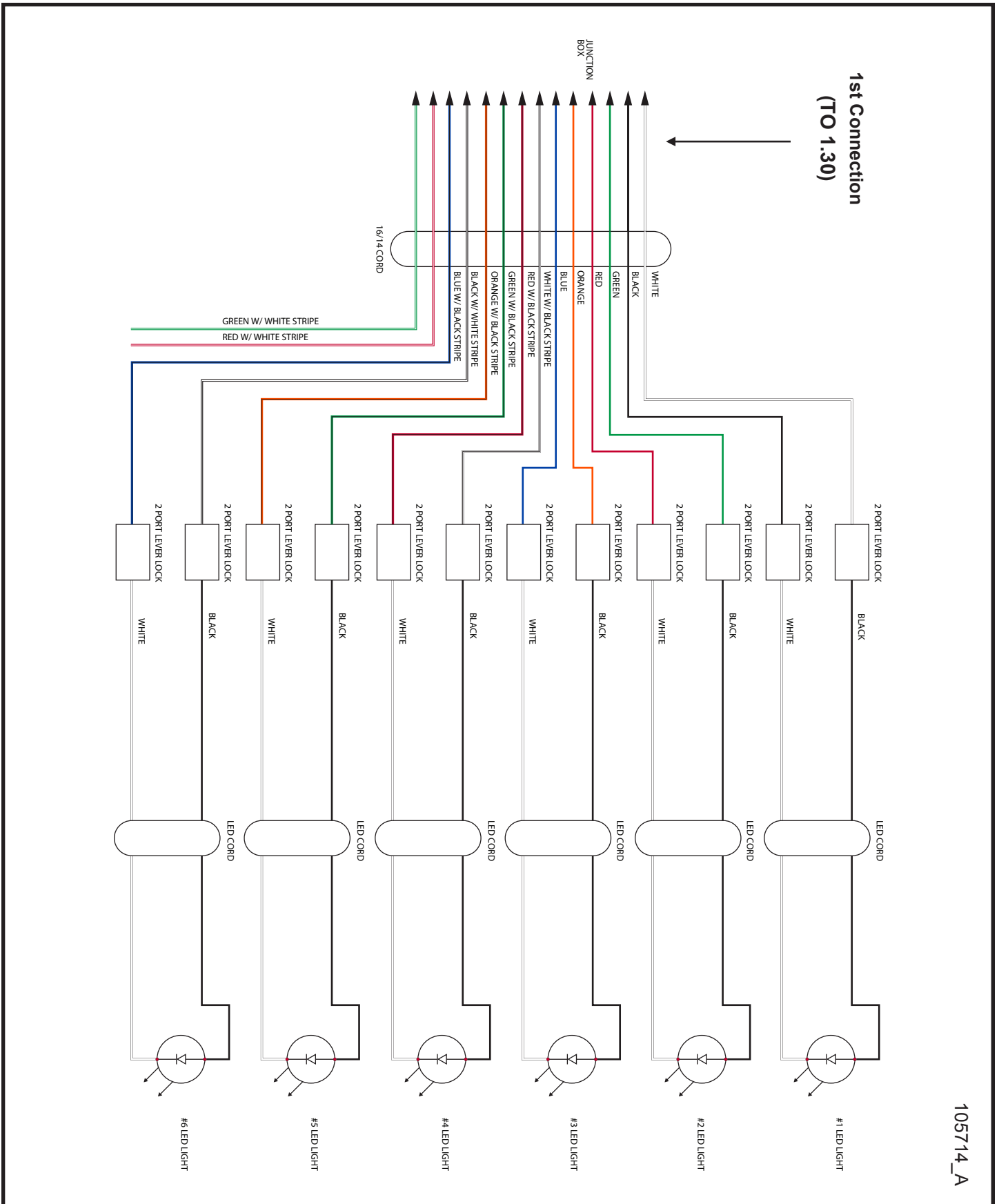
105713_A

1.39 - 4 Light LED Disconnect Schematic

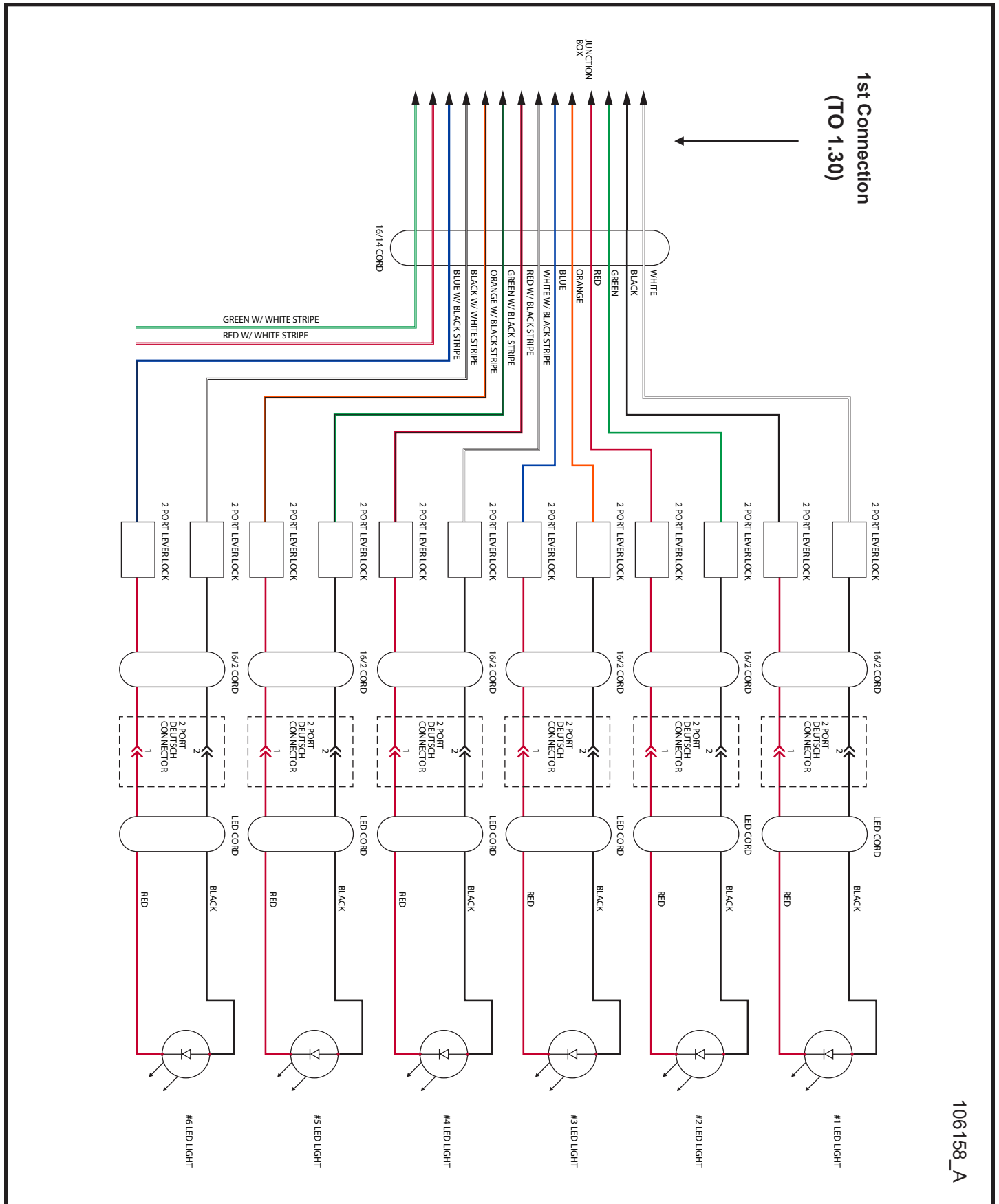


106157_A

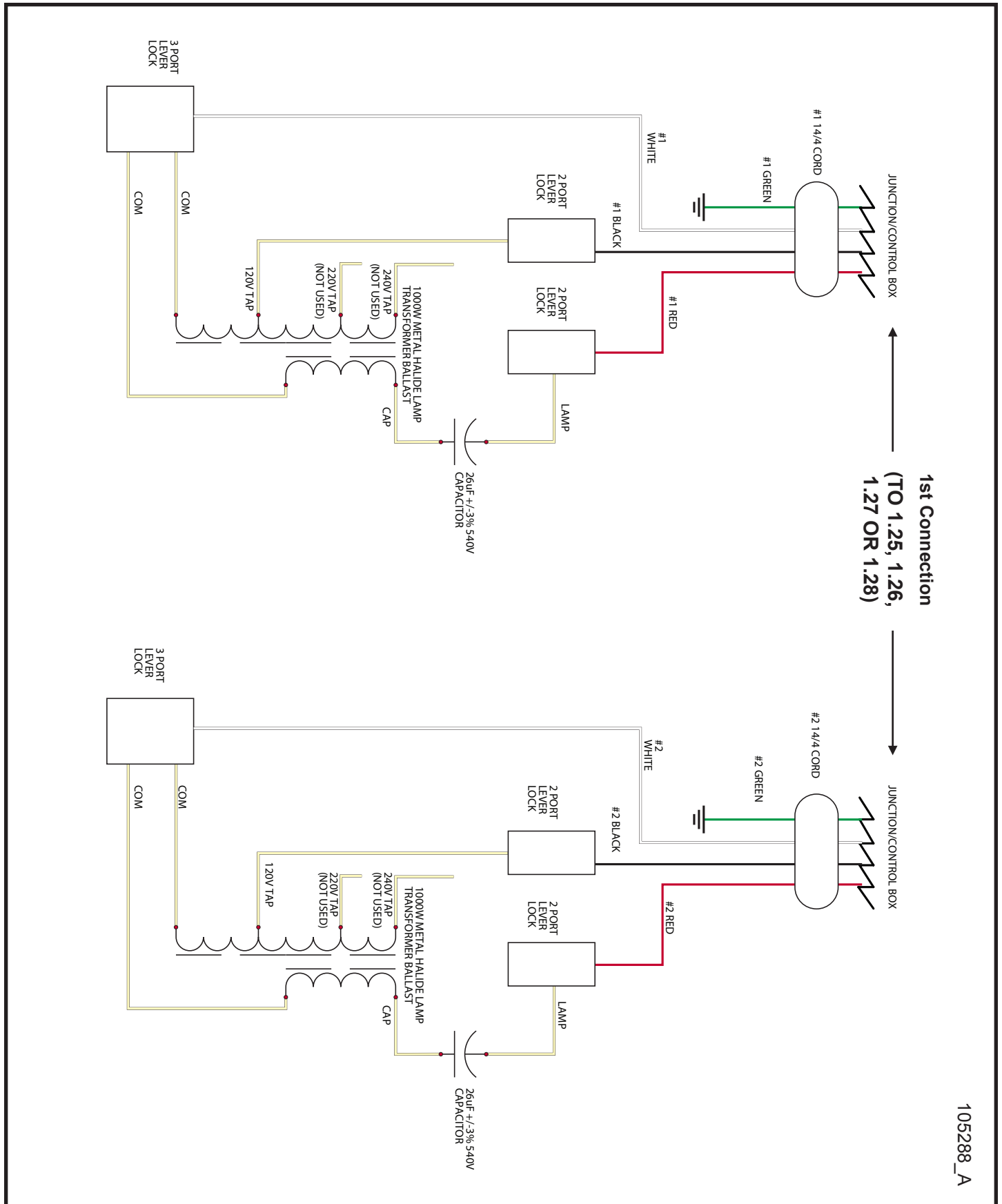
1.40 - 6 Light LED Schematic



1.41 - 6 Light LED Disconnect Schematic

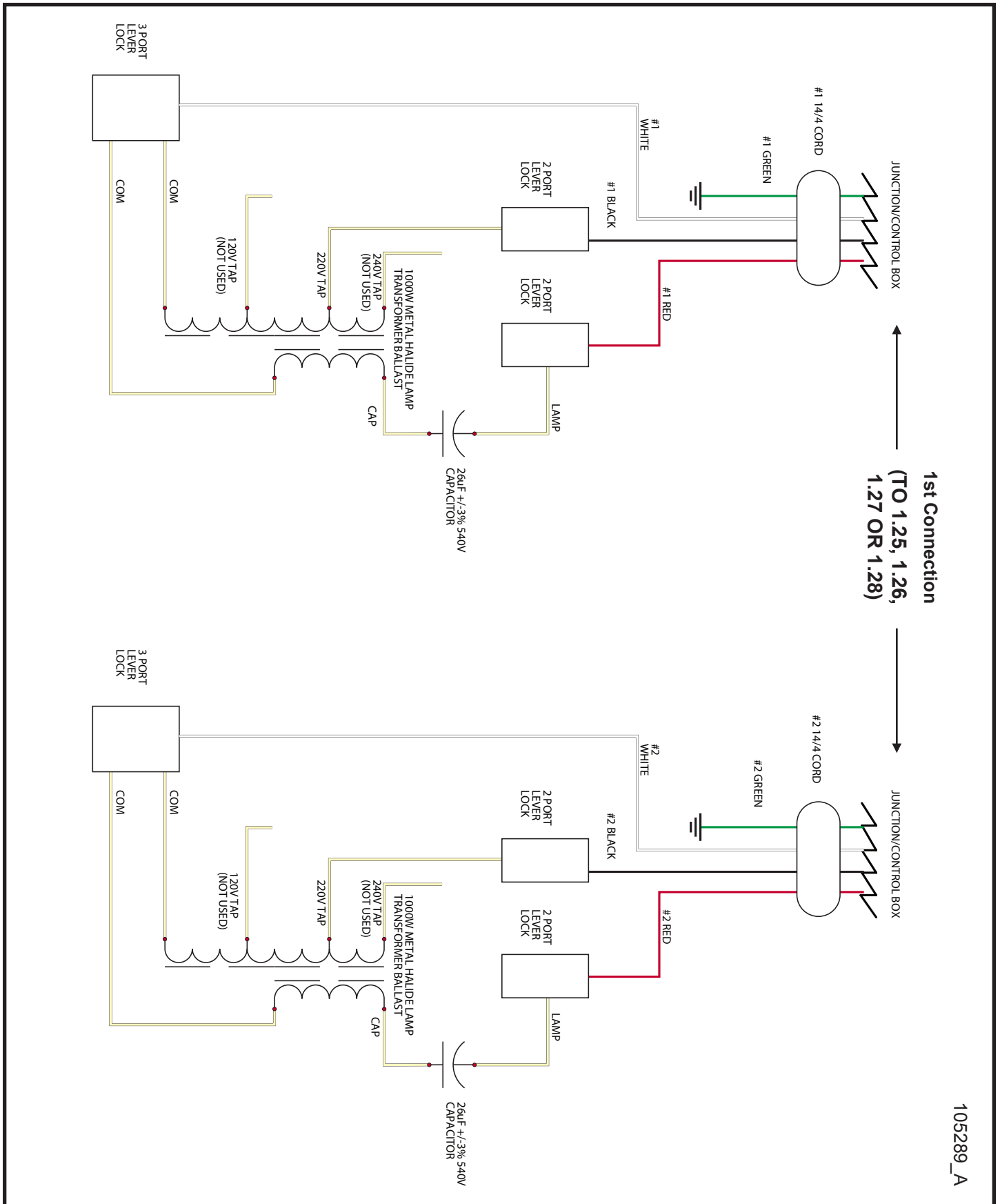


1.42 - 1000W 50Hz 120V Ballast Schematic



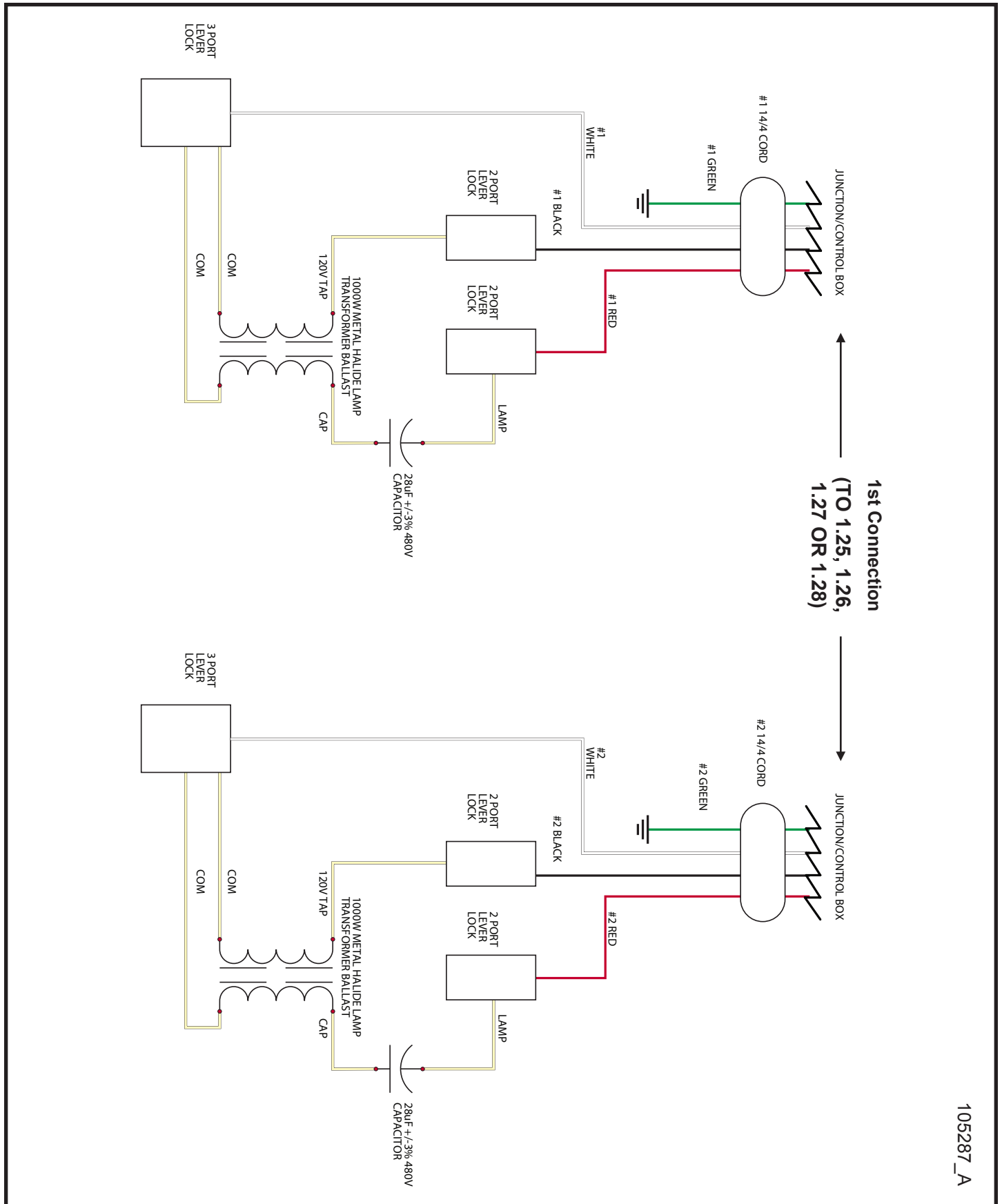
105288_A

1.43 - 1000W 50Hz 220V Ballast Schematic



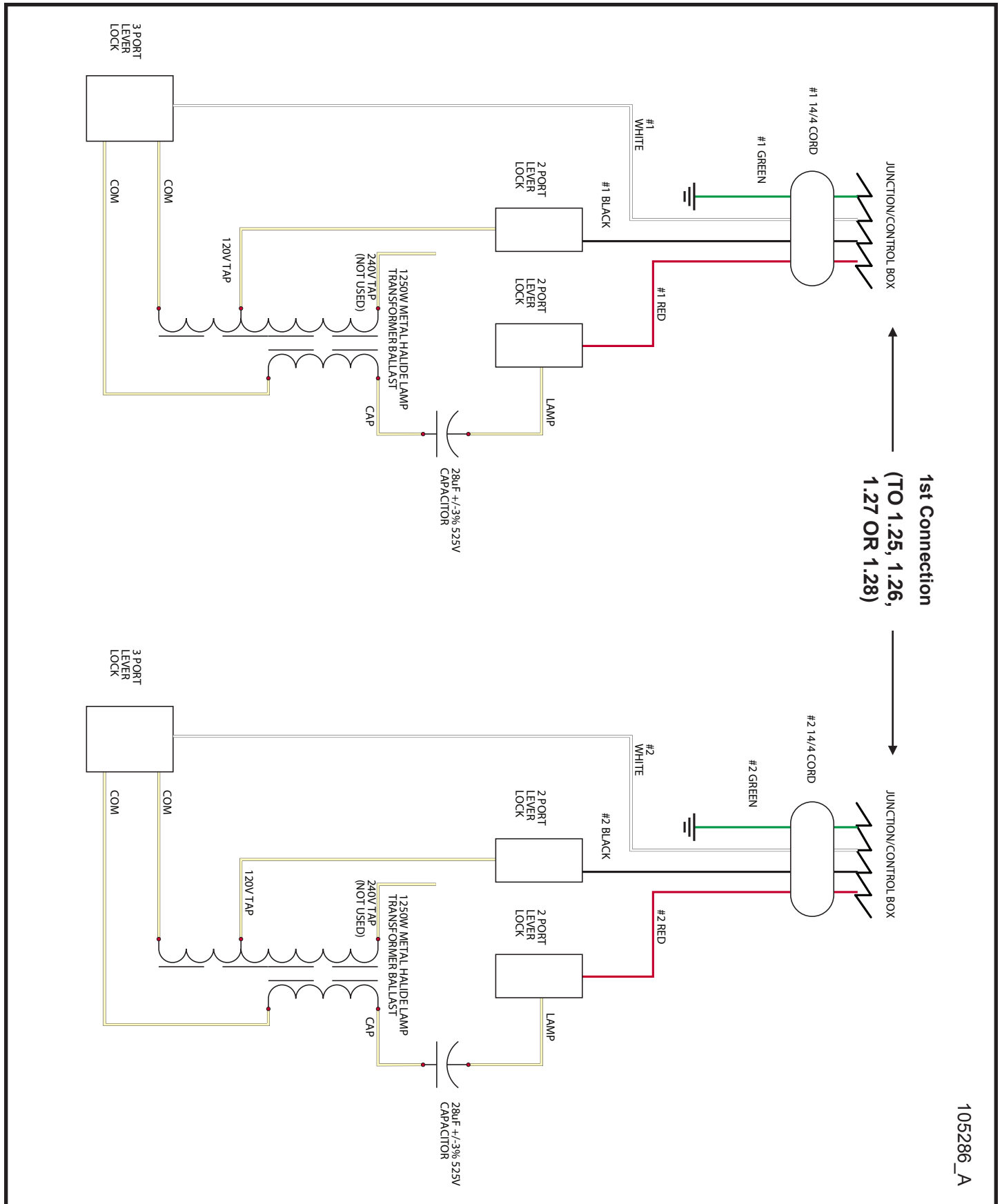
105289_A

1.44 - 1000W 60Hz 120V Ballast Schematic

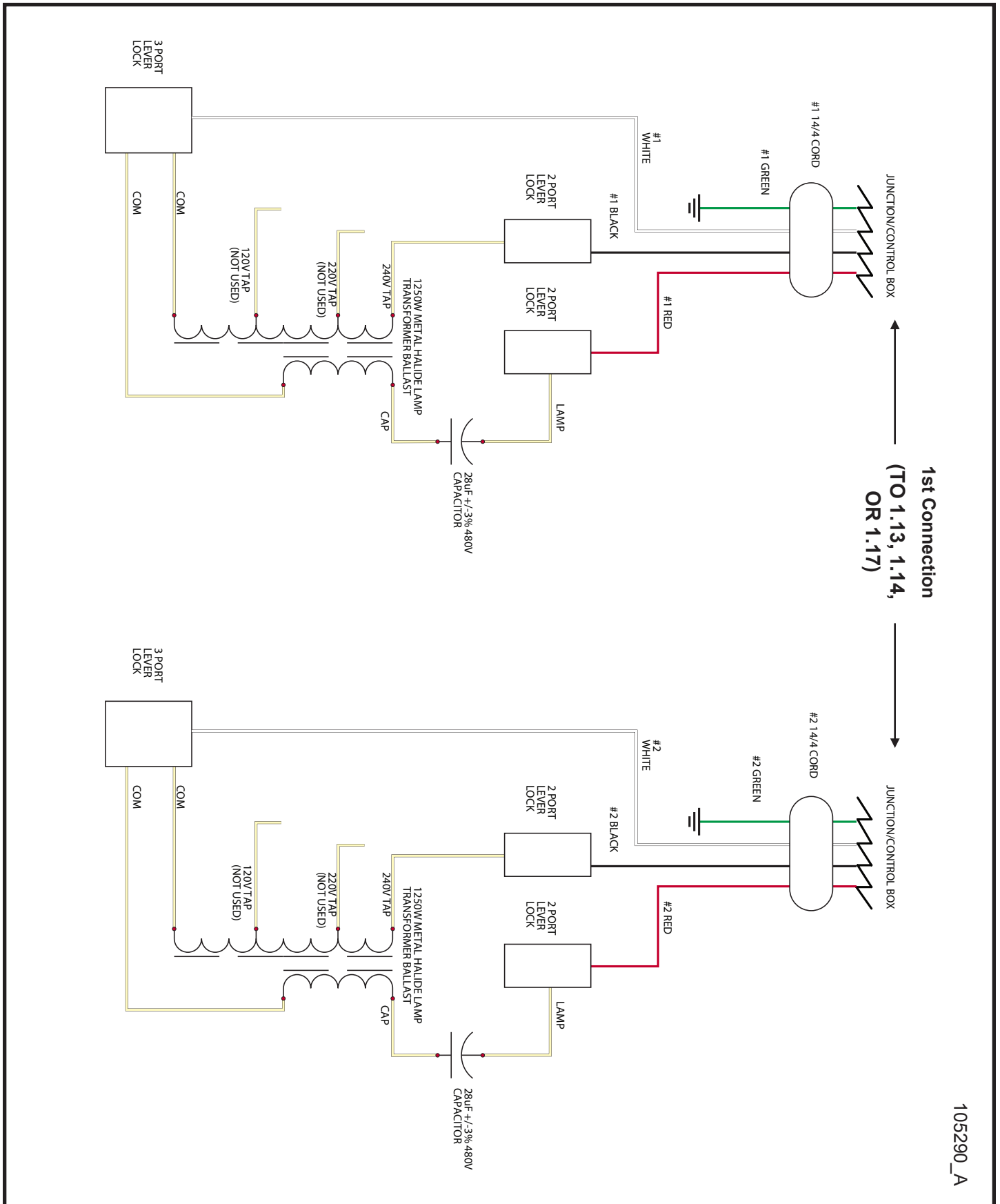


105287_A

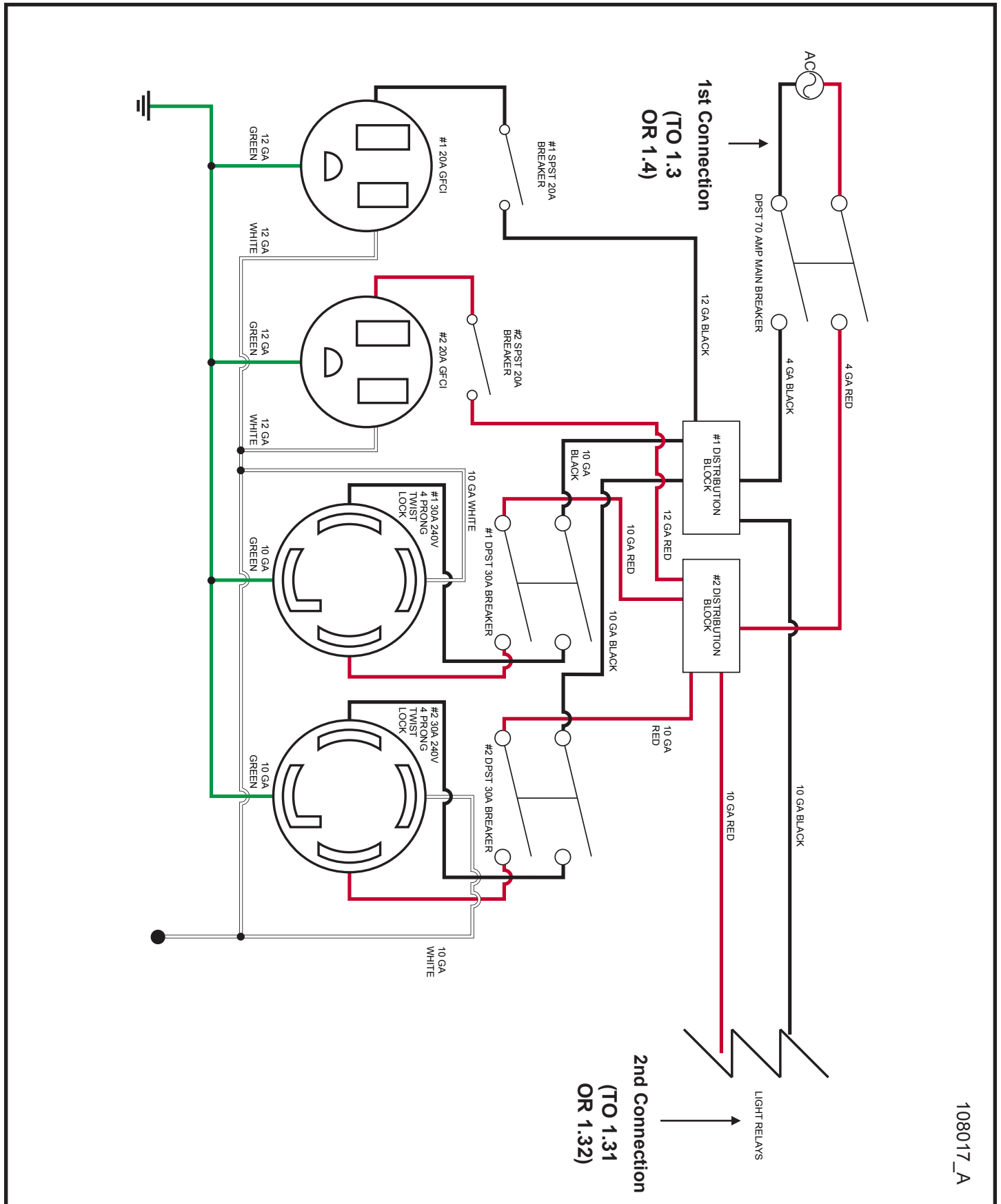
1.46 - 1250W 60Hz 120V Ballast Schematic



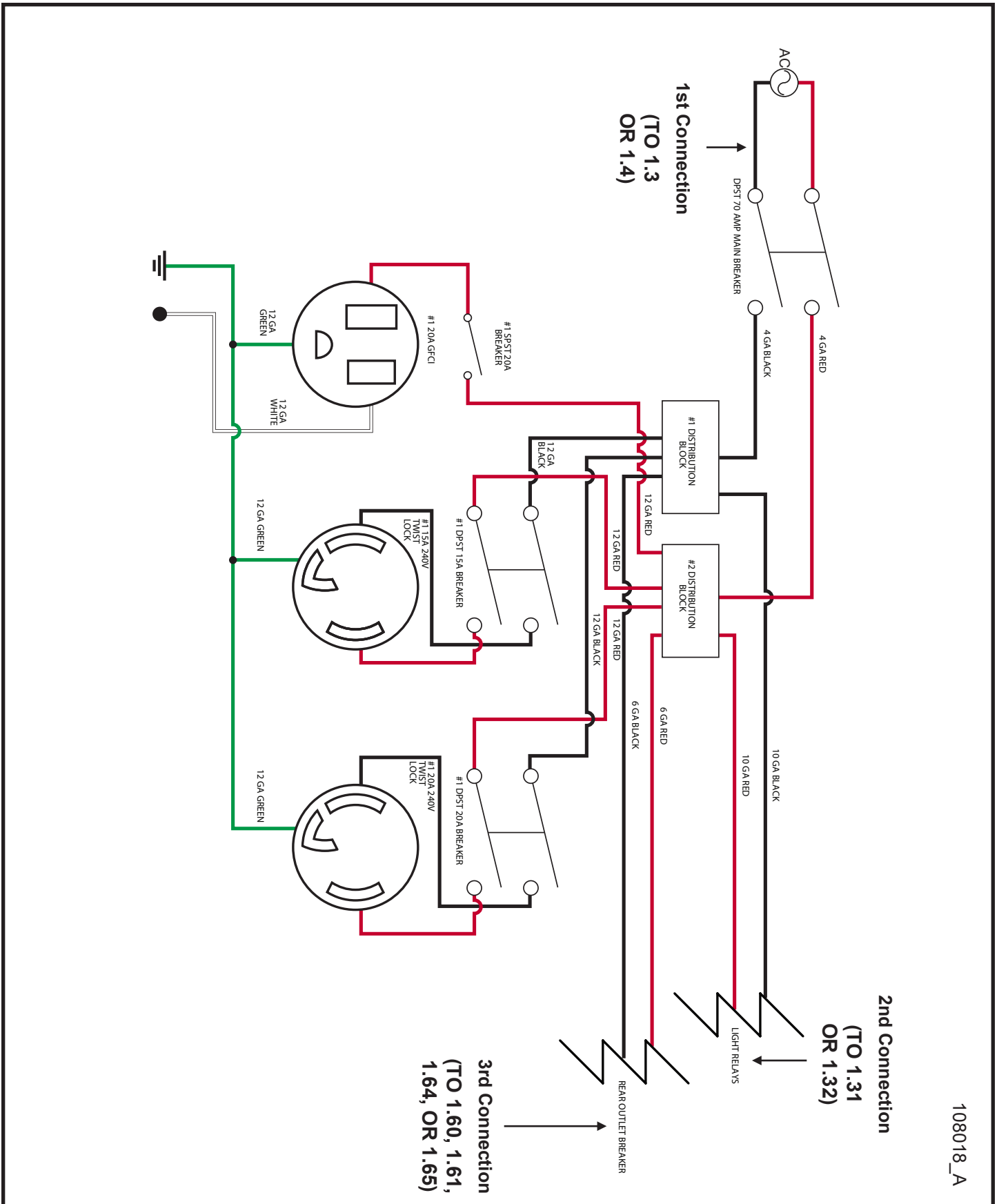
1.47 - 1250W 60Hz 240V Ballast Schematic



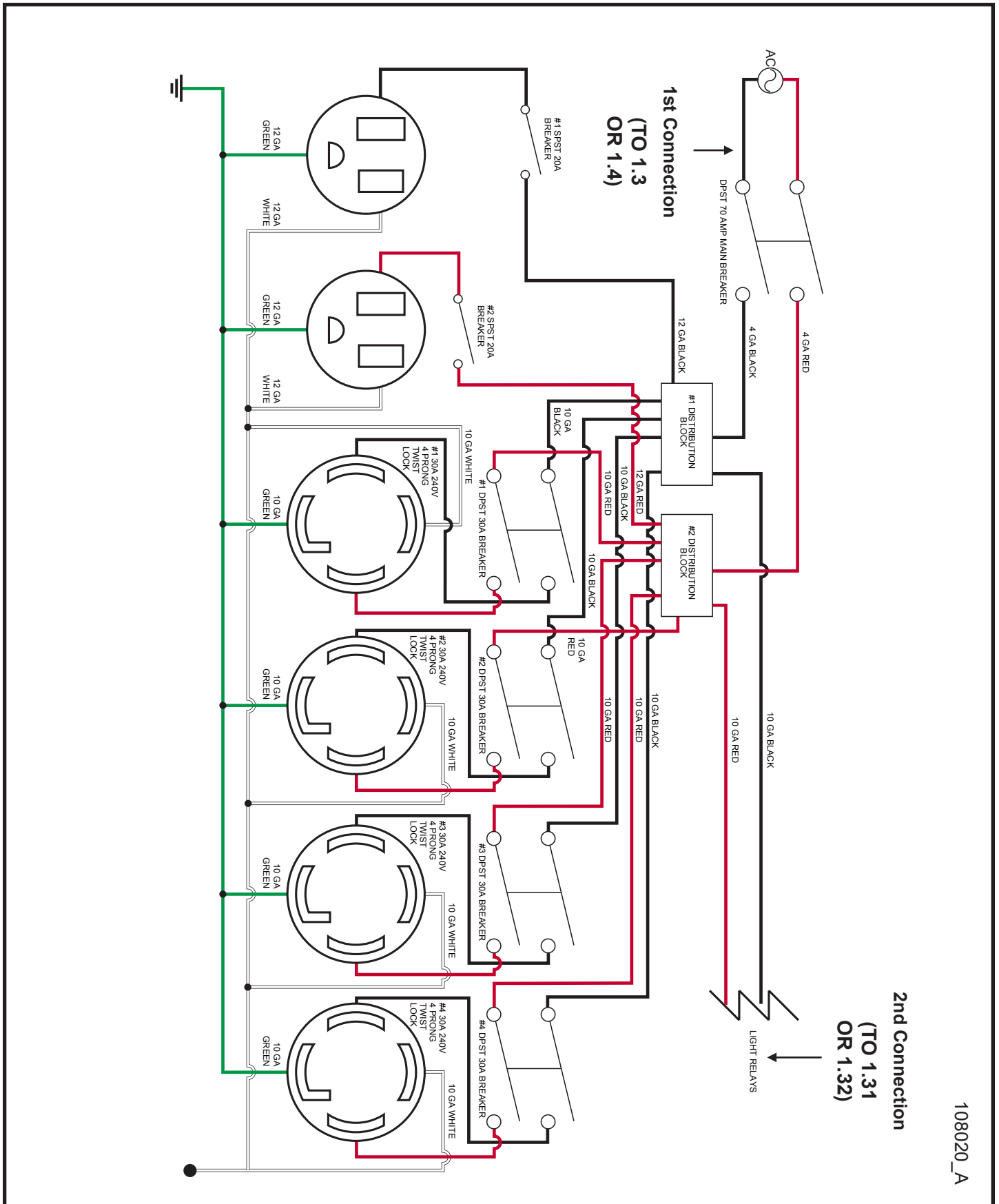
1.48 - 8kW 1PH 2-240V 30A 1-120V 20A GFCI Schematic



1.49 - 4kW 1PH 1-20A GFCI 1-15 L6-15R 1-20A L6-30R Schematic

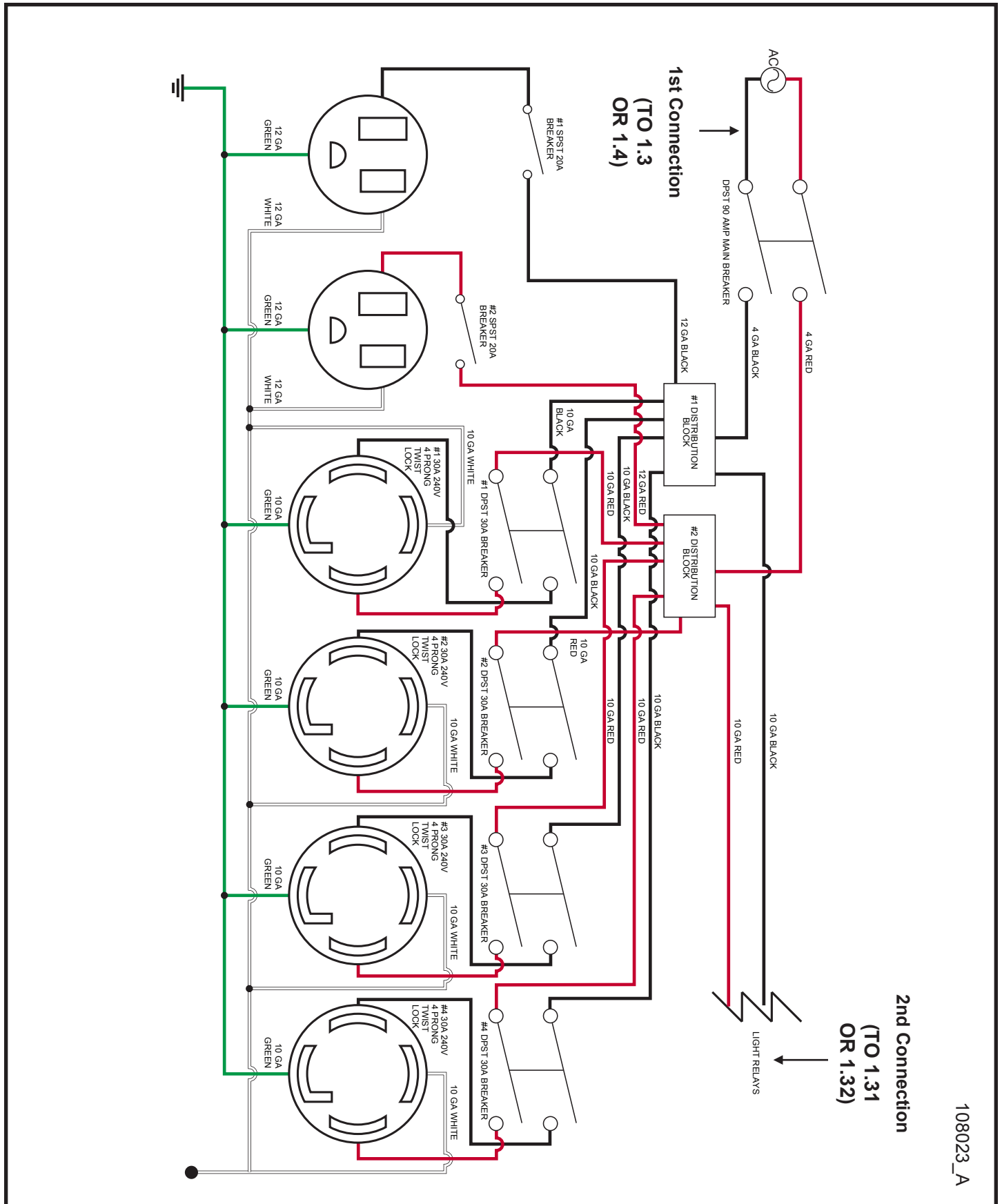


1.50 - 15kW 1PH 4-240V 30A 2-120V 20A GFCI Schematic

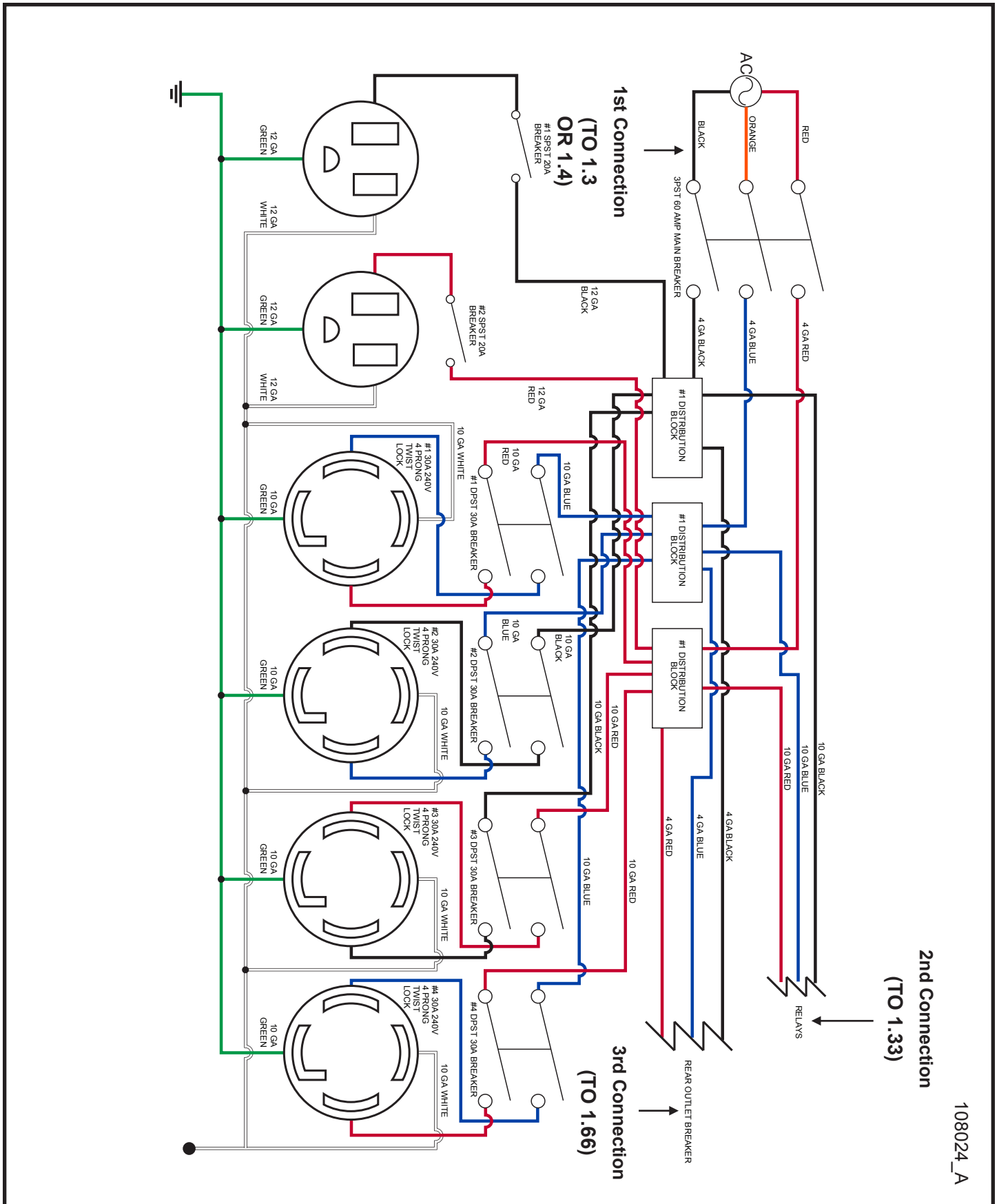


108020_A

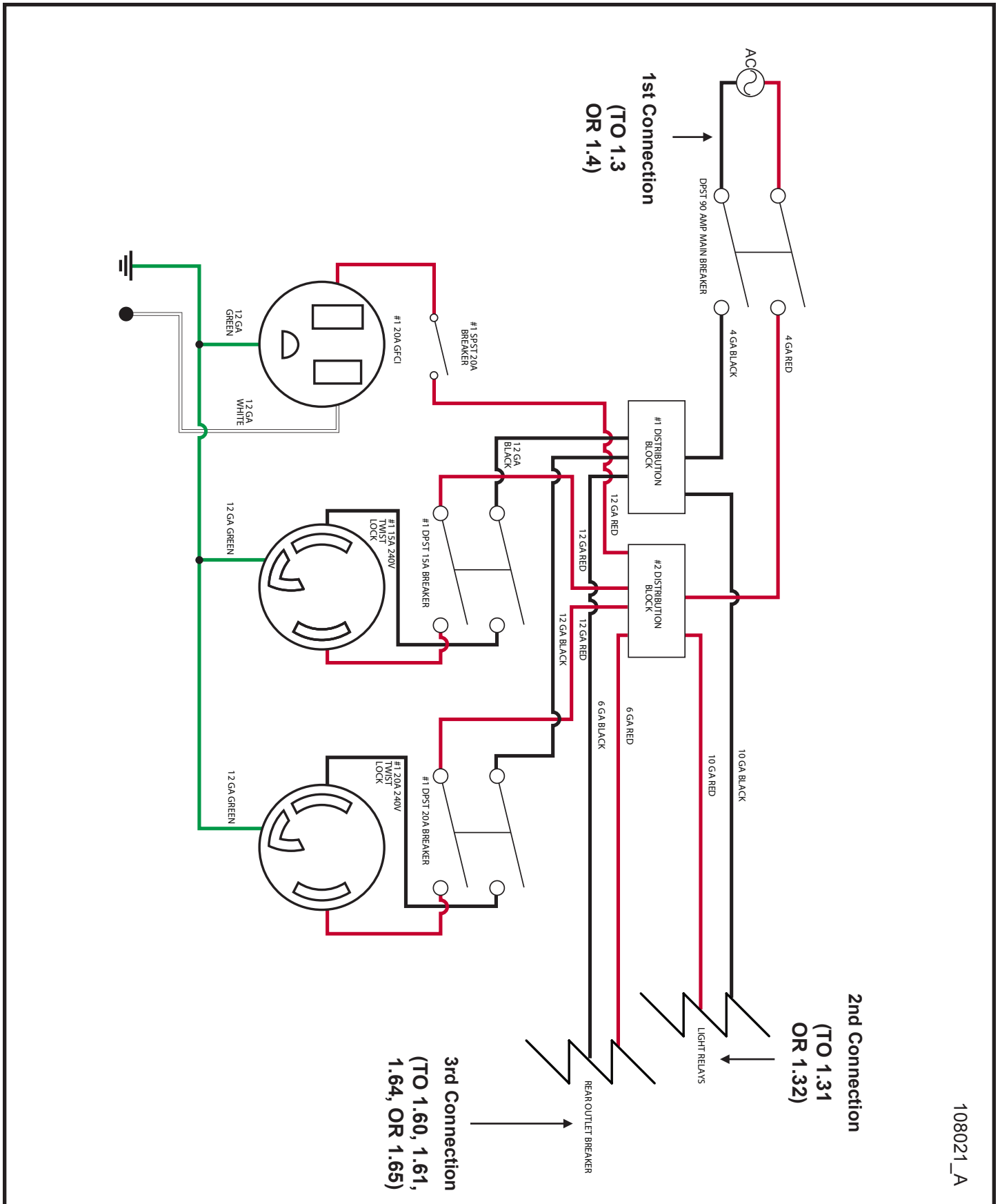
1.51 - 20kW 1PH 4-240V 30A 2-120V 20A GFCI Schematic



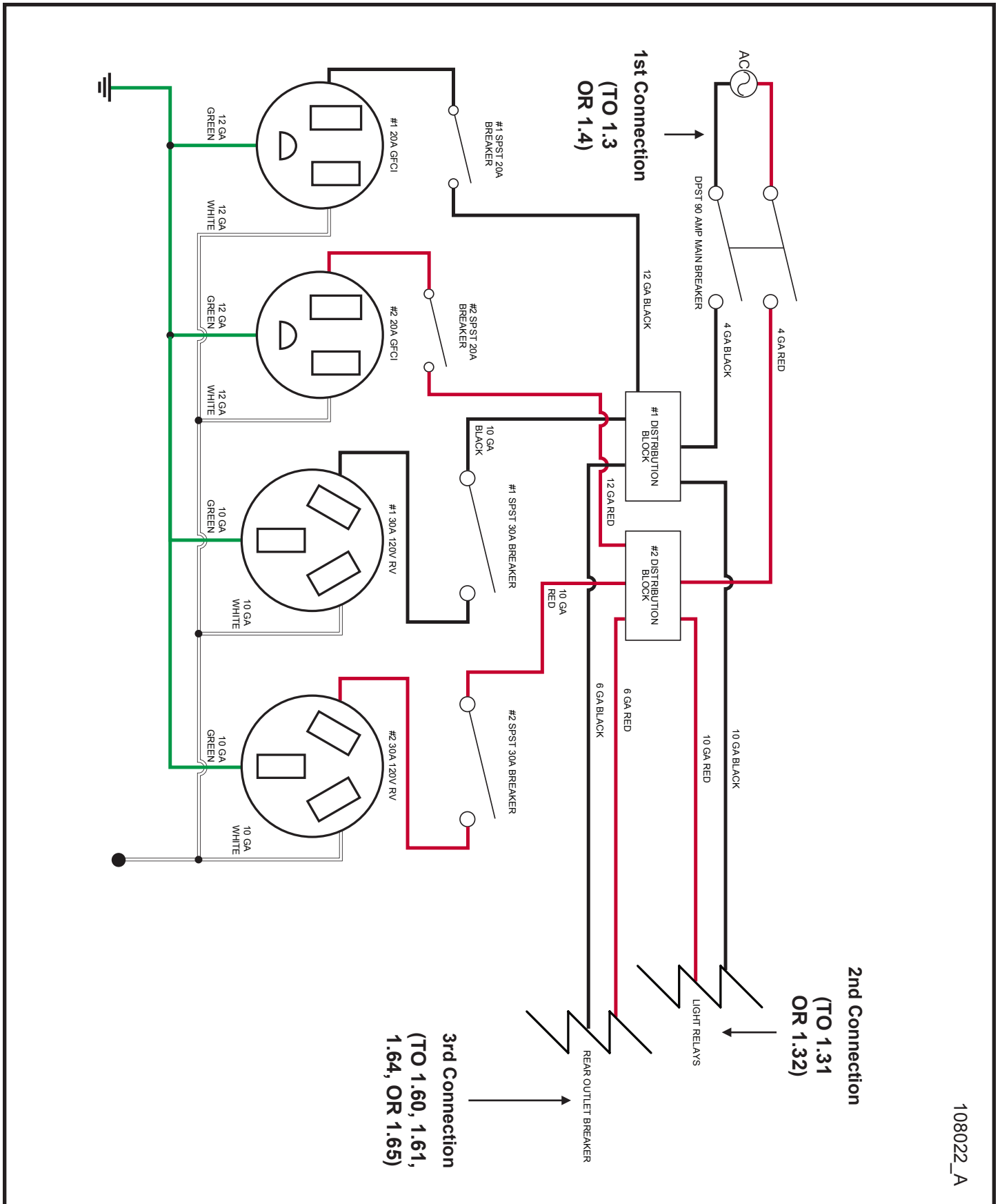
1.52 - 20kW 3PH 4-208V 30A 2-120V 20A GFCI Schematic



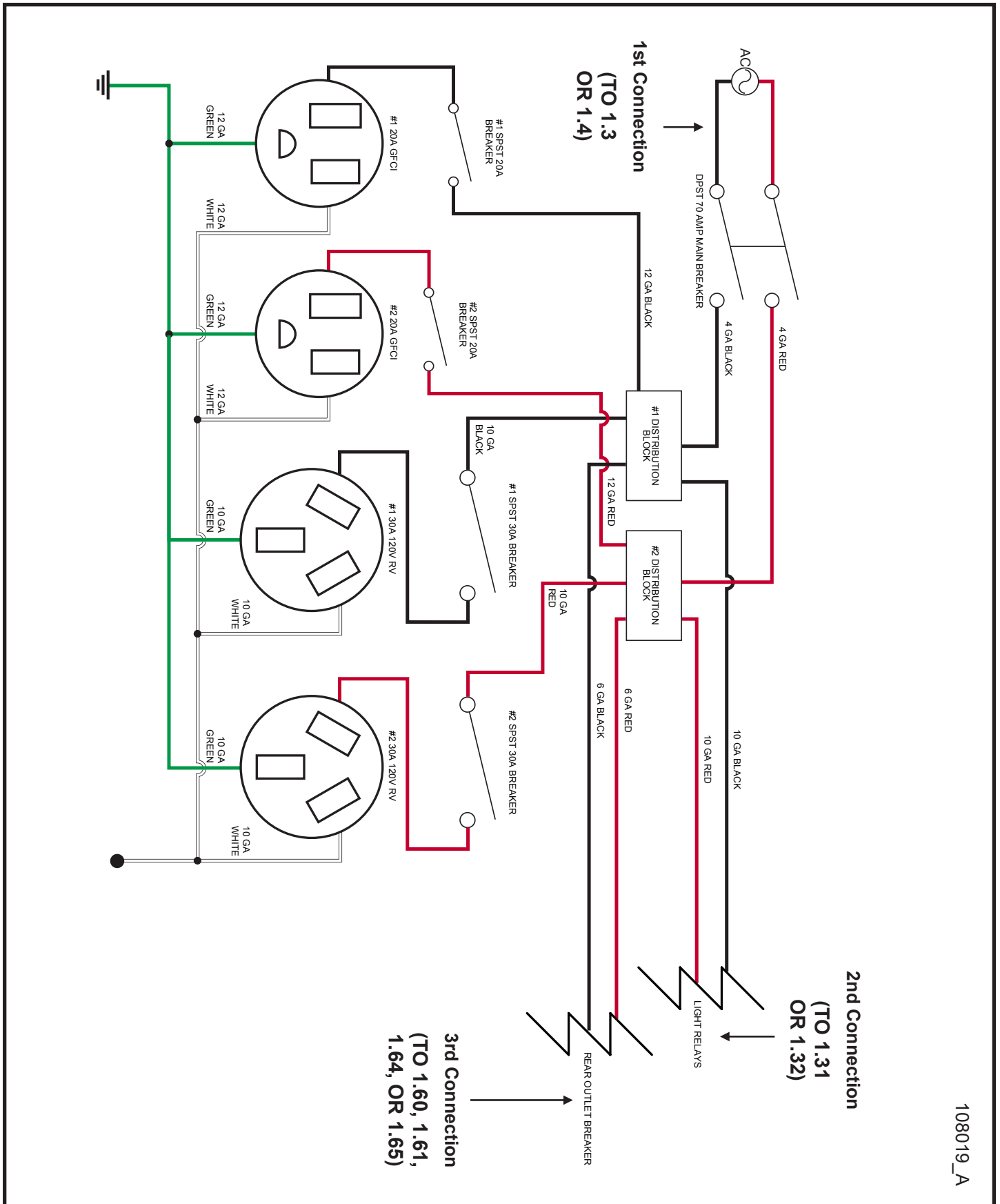
1.53 - 20kW 1PH 1-240V 20A 1-240V 15A 1-20A GFCI Schematic



1.55 - 20kW 1PH 2-30A RV 2-20A GFCI Schematic

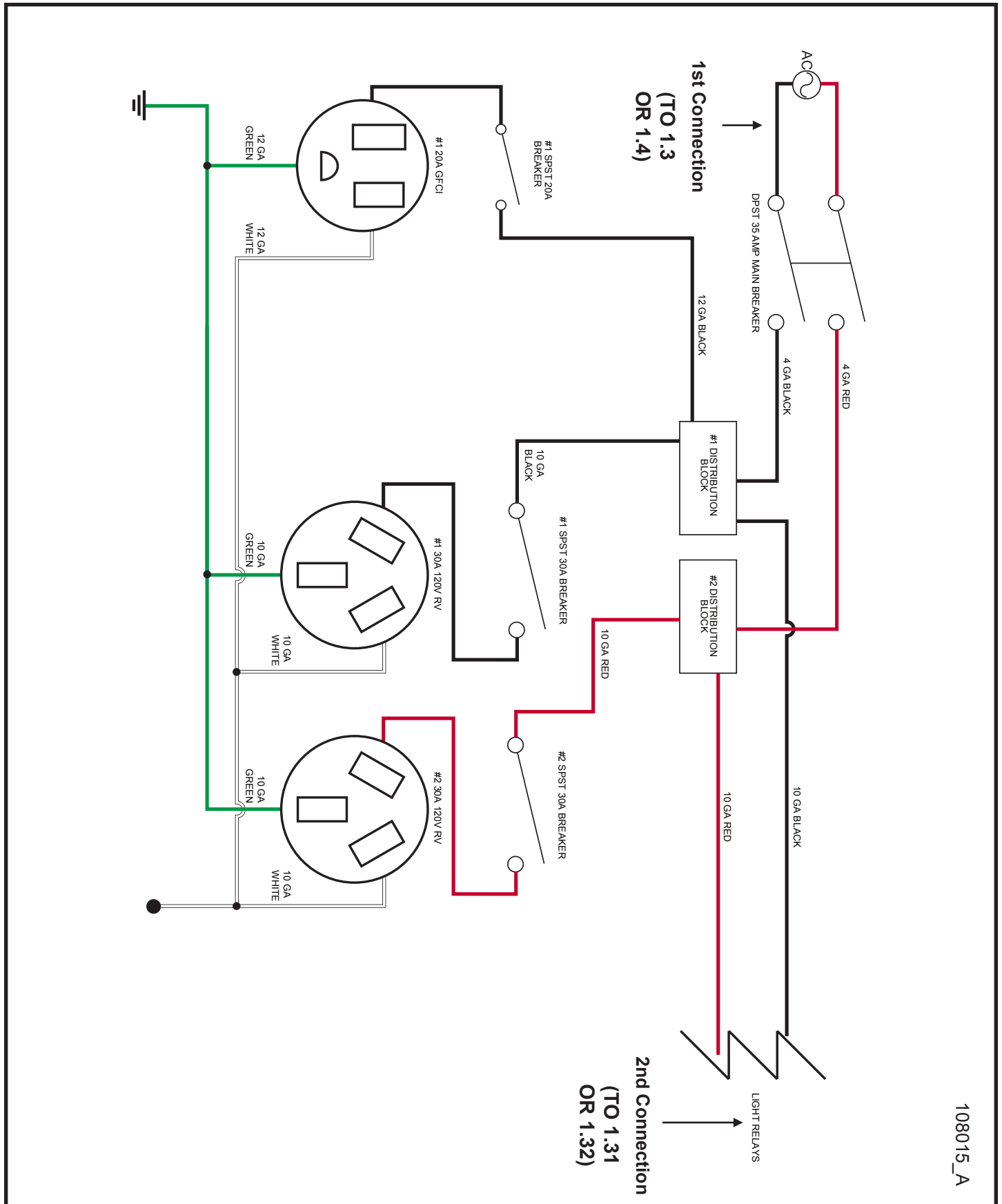


1.56 - 13kW 1PH 2-30A RV 2-20A GFCI Schematic

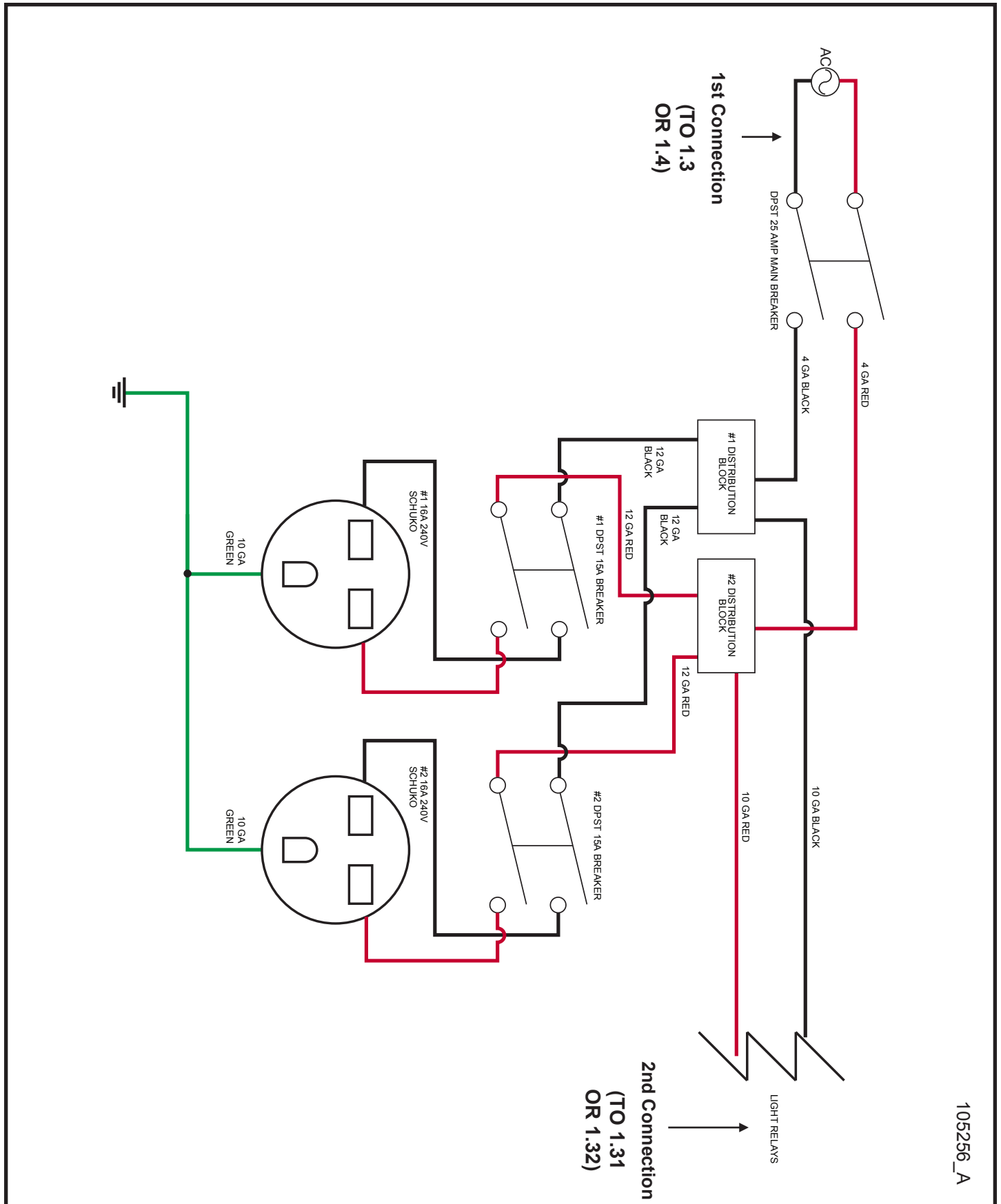


108019_A

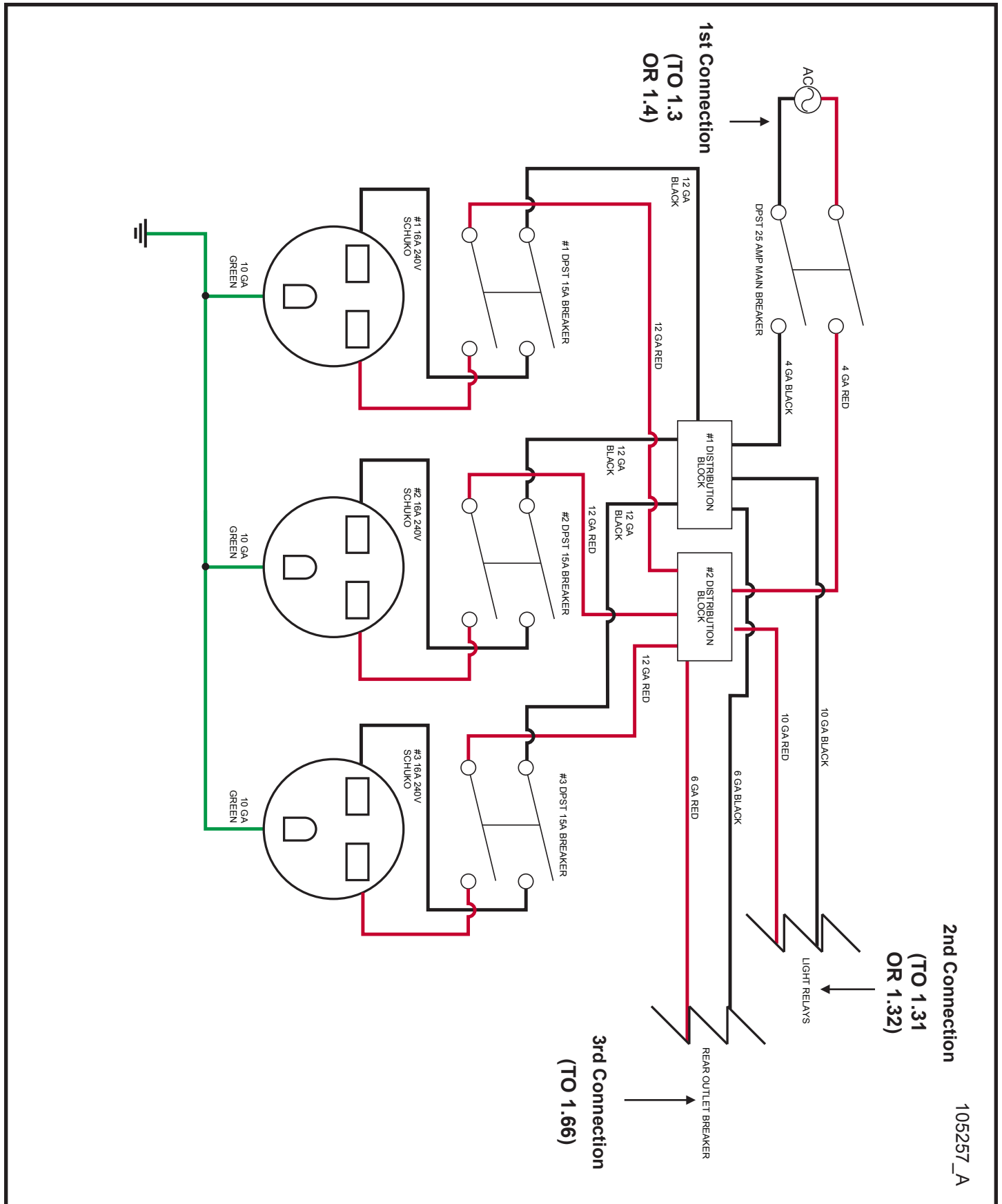
1.57 - 8kW 1PH 2-30A RV 1-20A GFCI Schematic



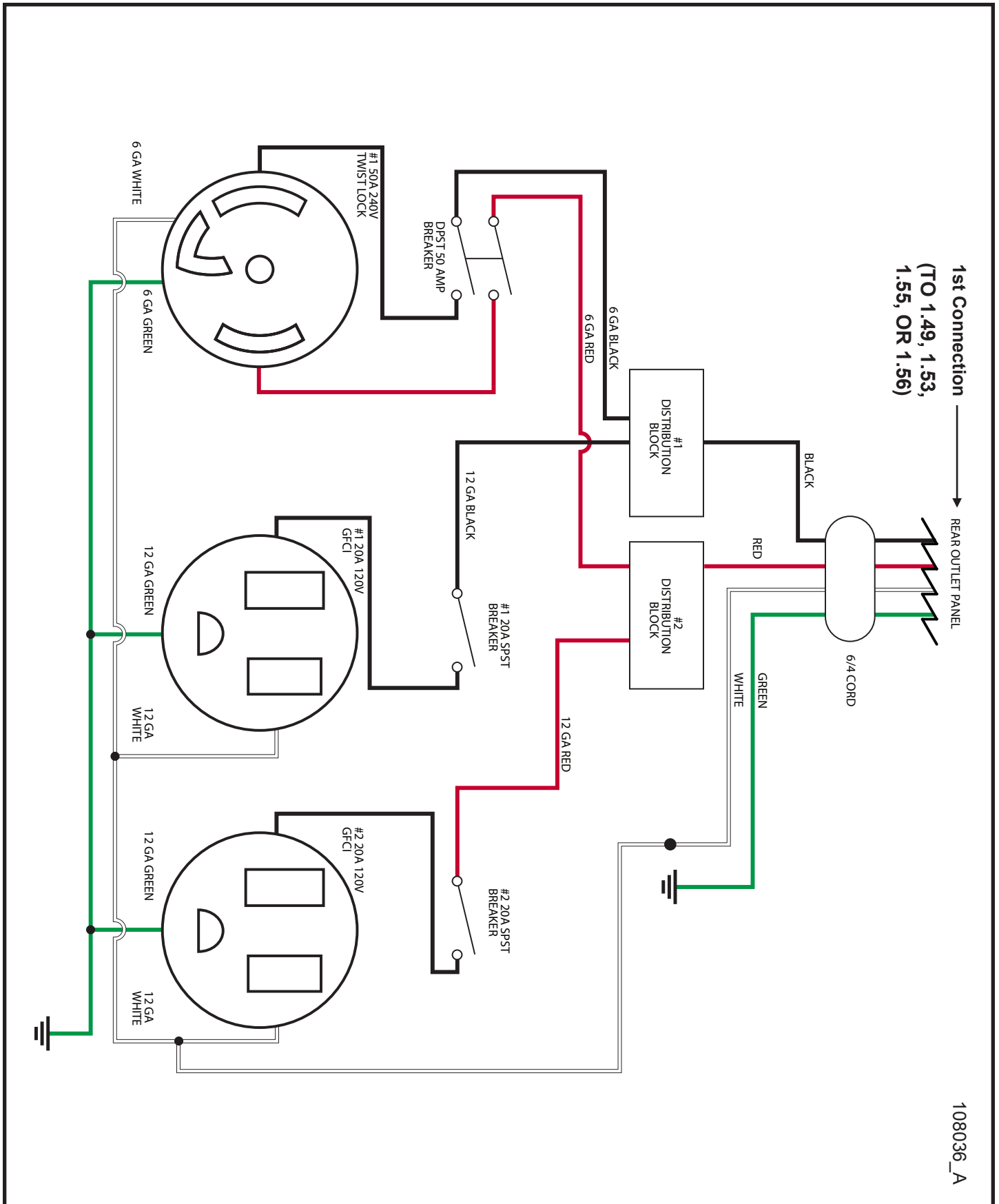
1.58 - 6kW 1PH 2-16A



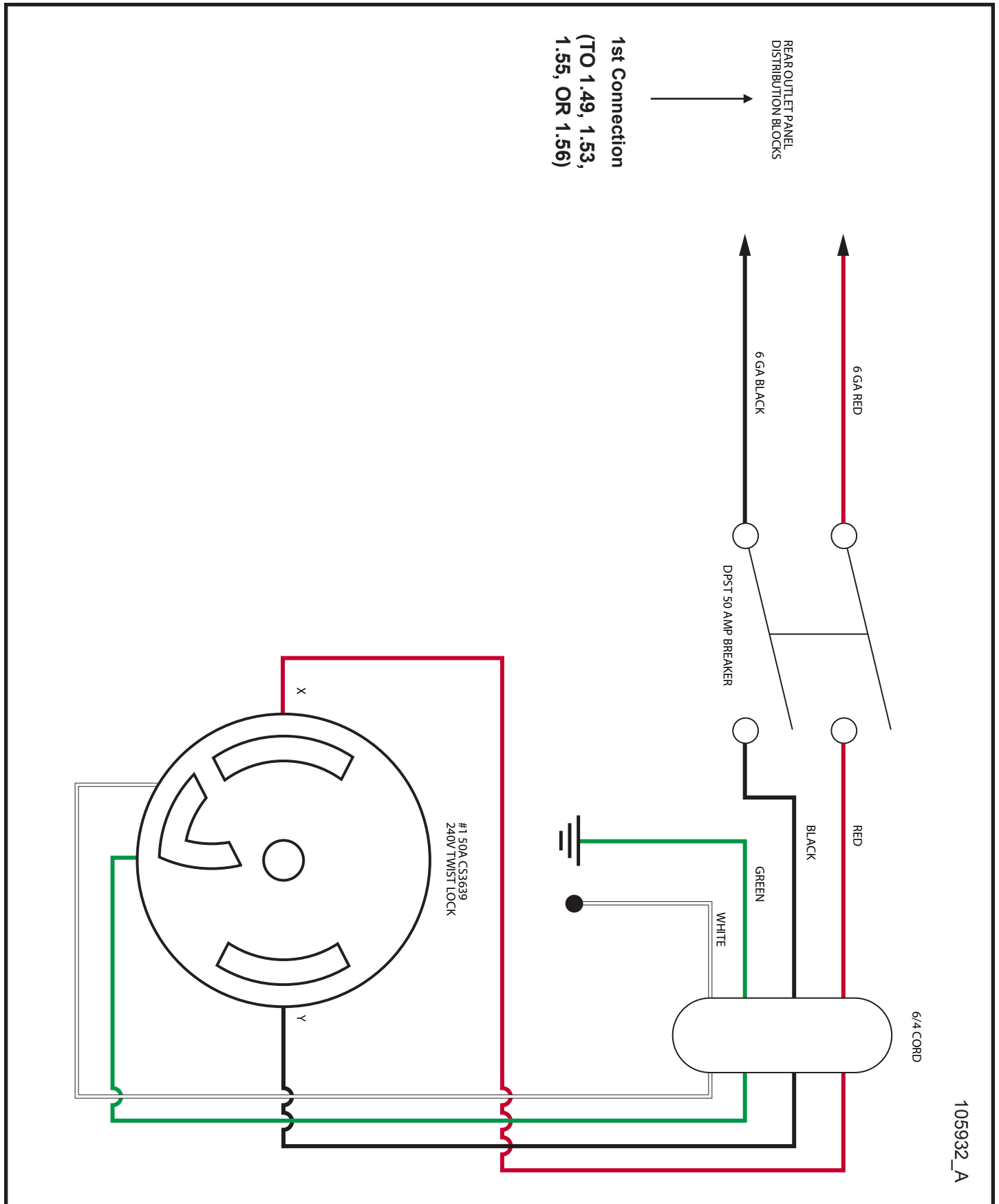
1.59 - Section One



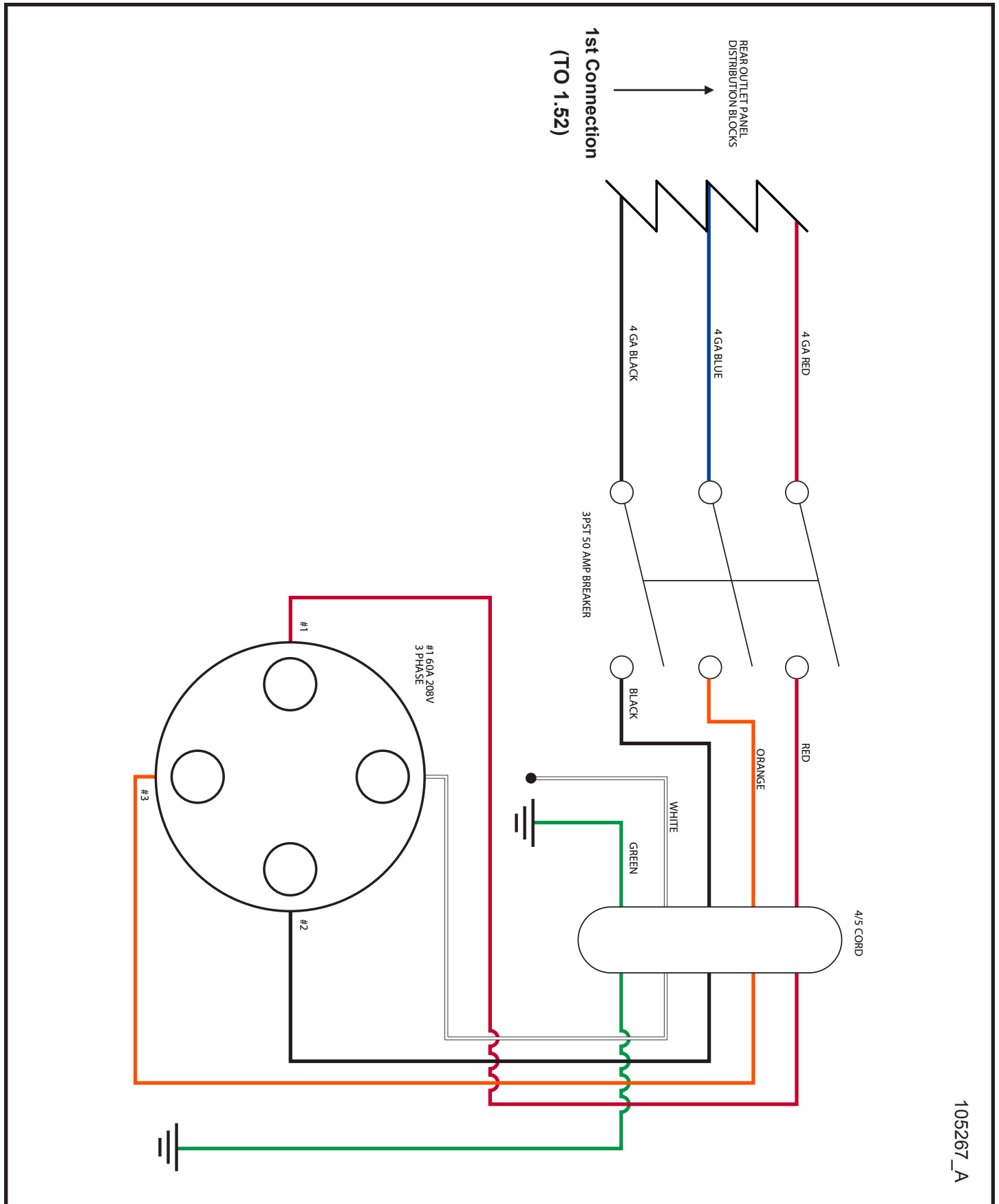
1.60 - Aux Outlet 2-20A GFCI 1-50A Schematic



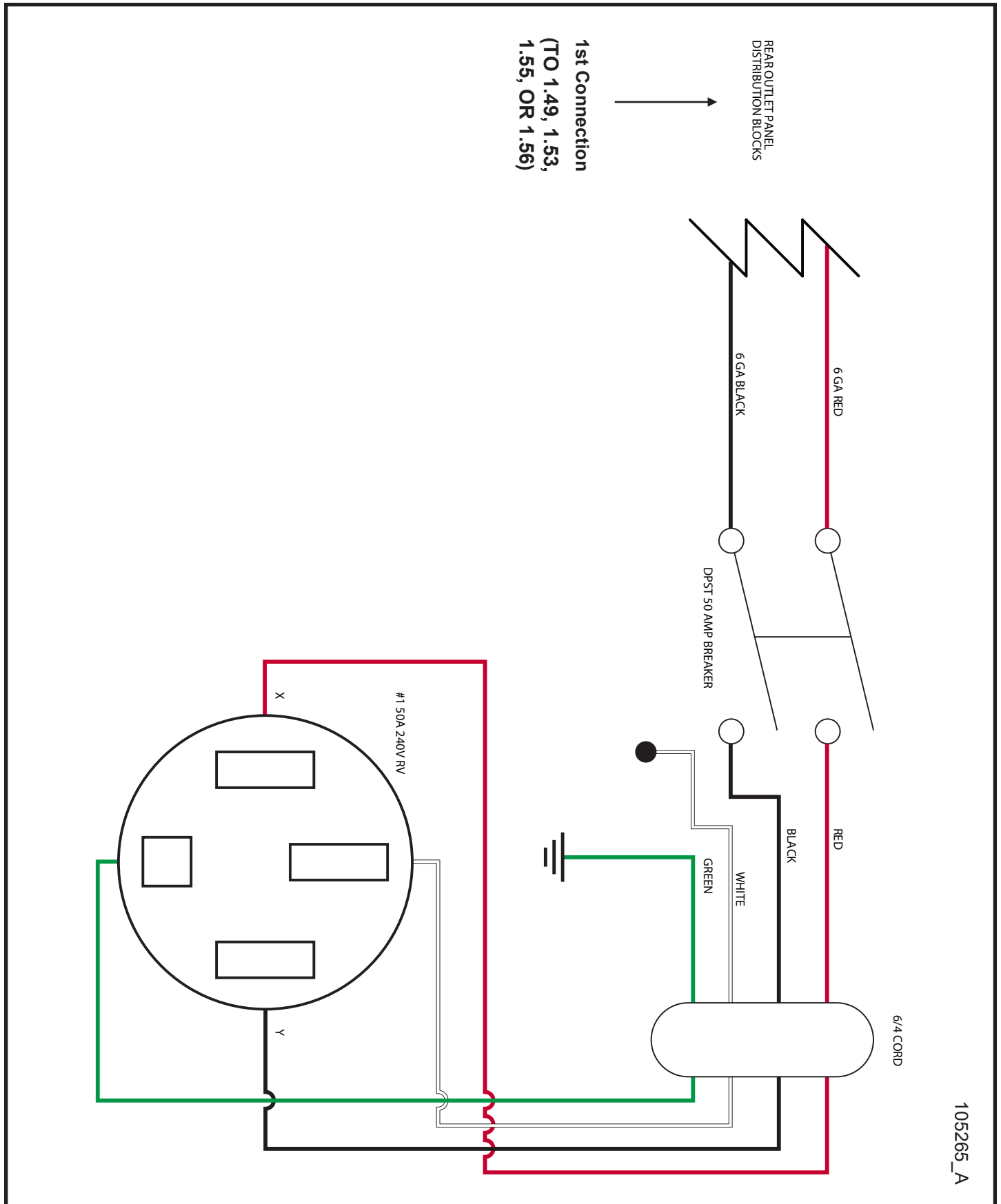
1.61 - Aux Outlet 1-50A Schematic



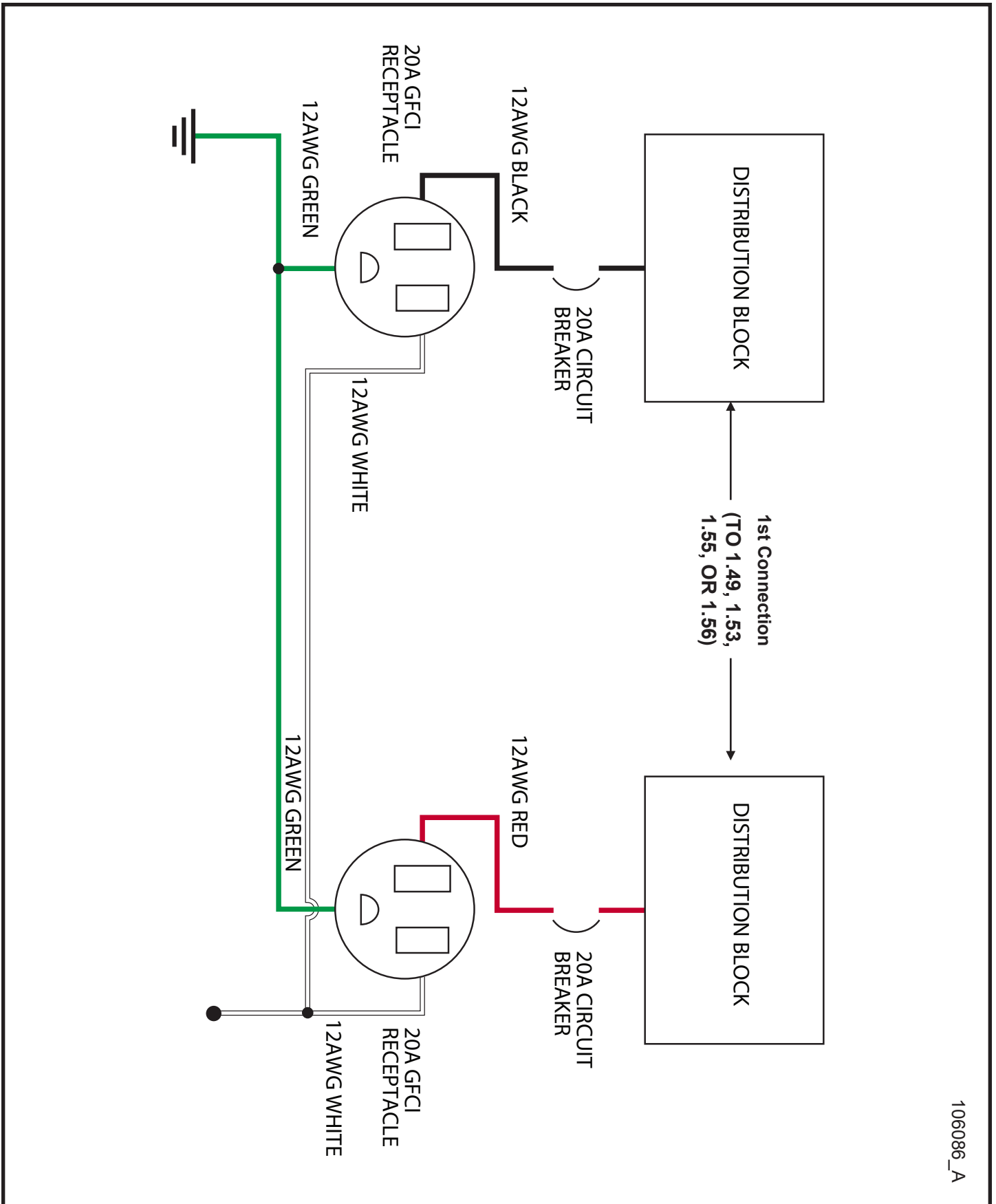
1.63 - Aux Outlet 1-60A 3P 600V Schematic



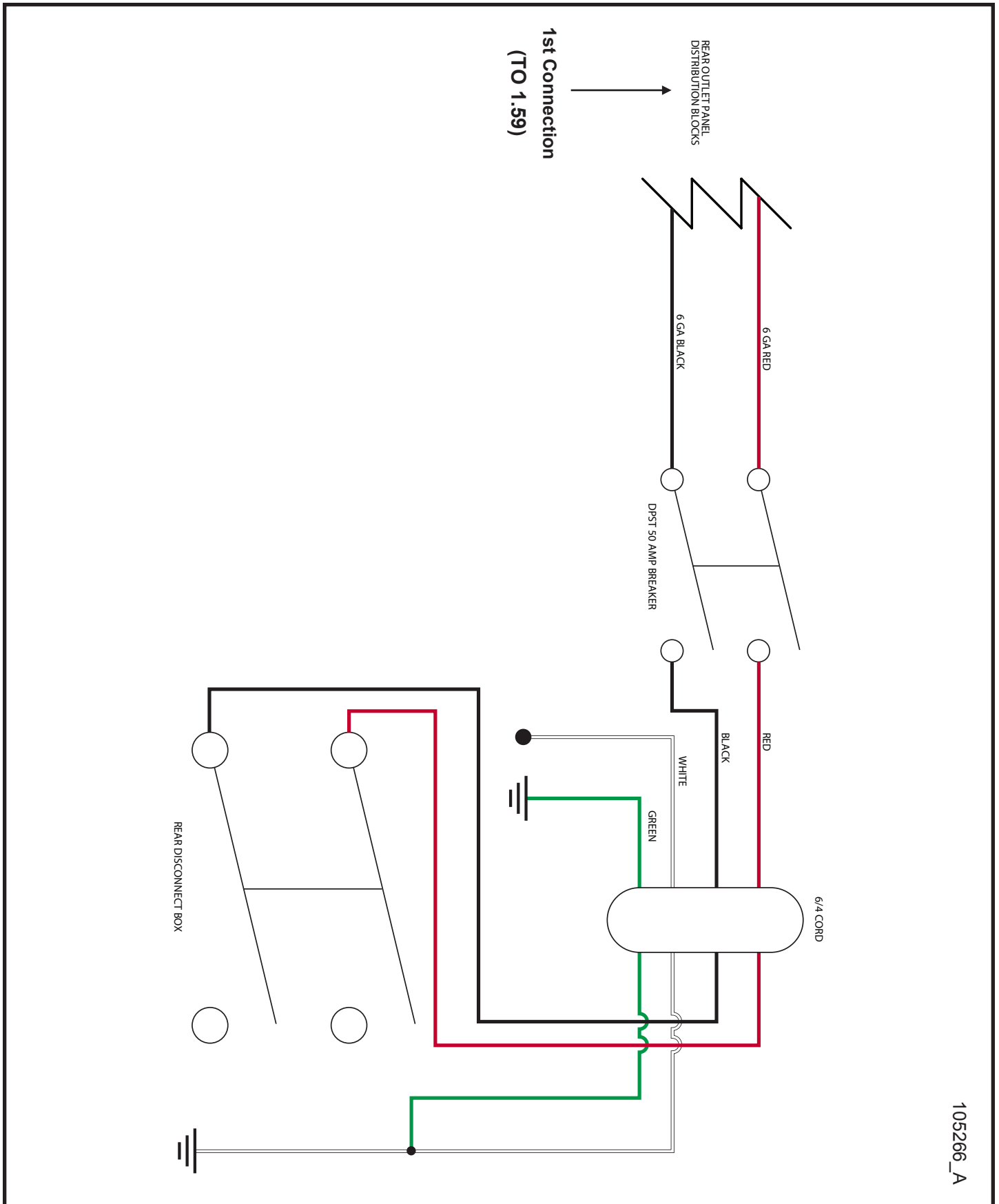
1.64 - Aux Outlet 1-50A 4-50R Schematic



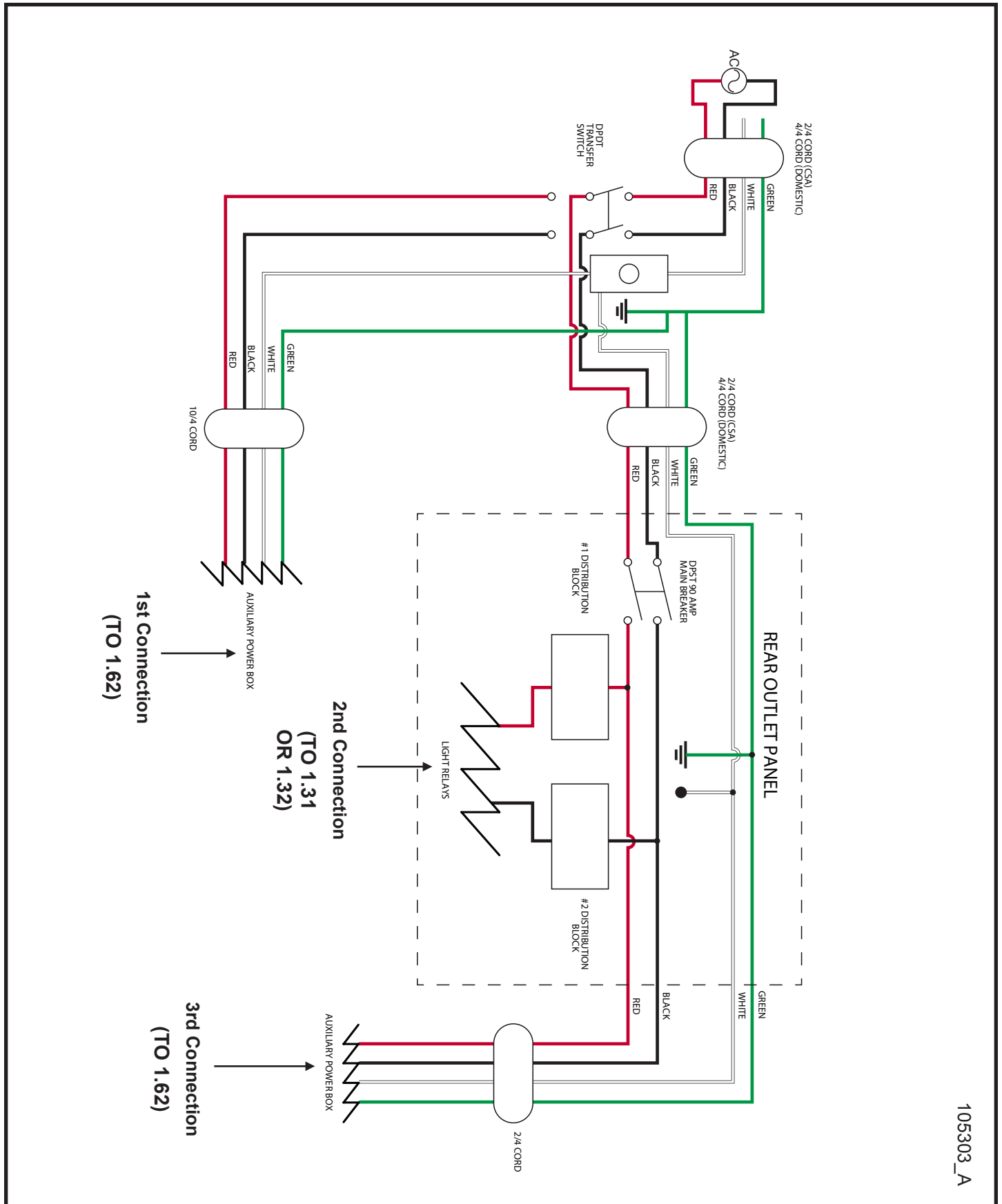
1.65 - Internal GFCI Schematic



1.66 - 50Hz Aux Outlet Disconnect Box Schematic

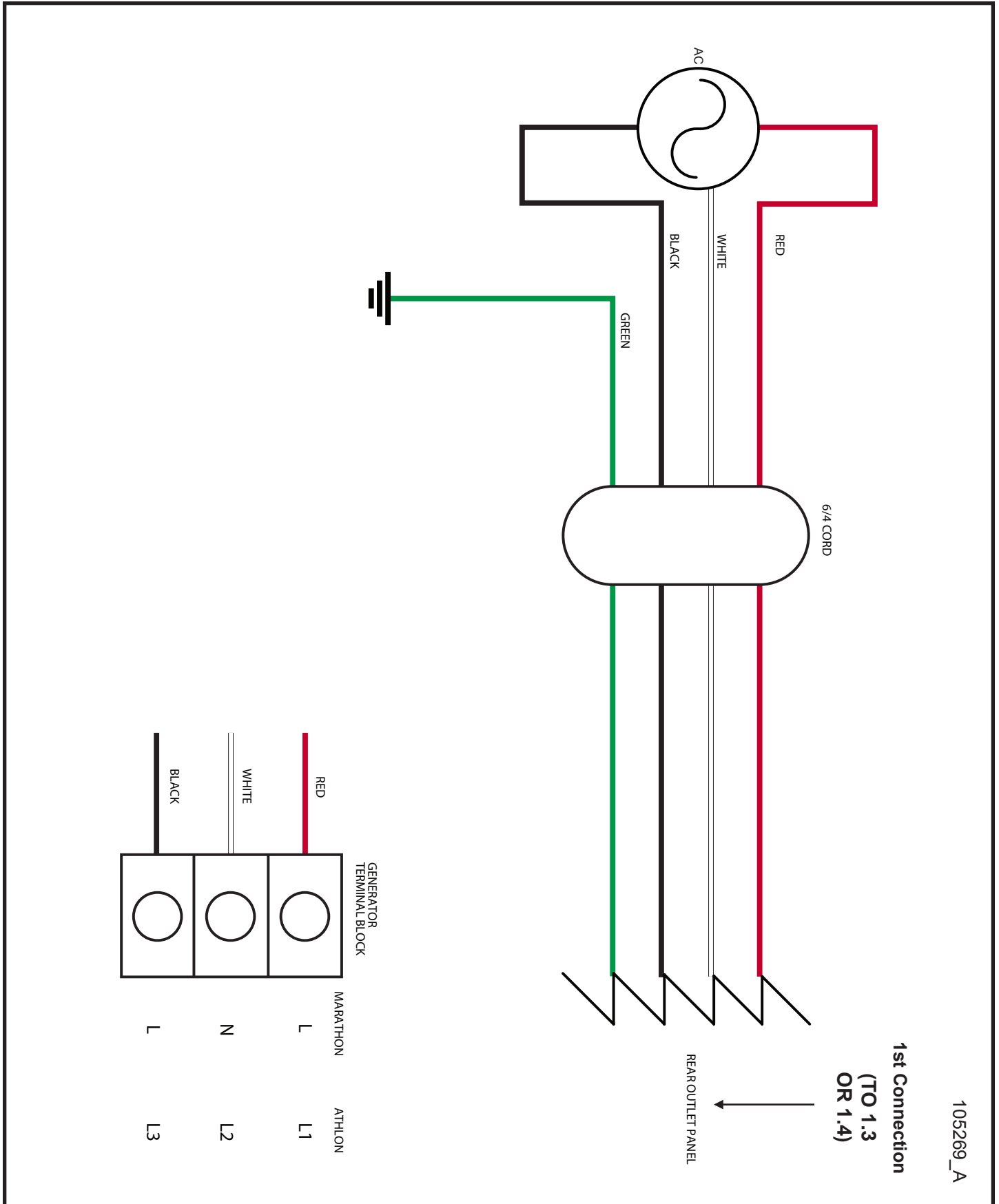


1.67 - 20kW 1P Transfer Switch Schematic

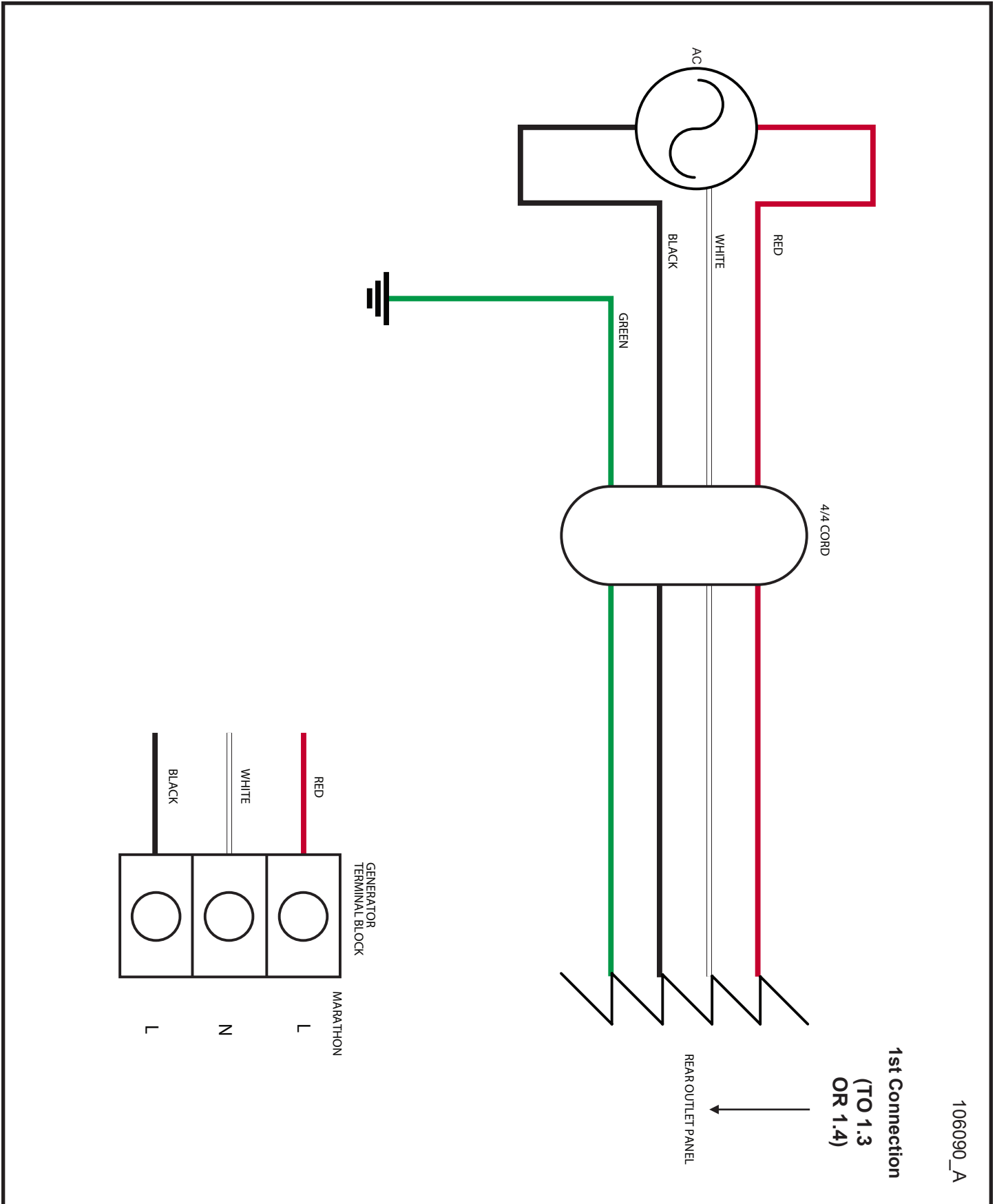


105303_A

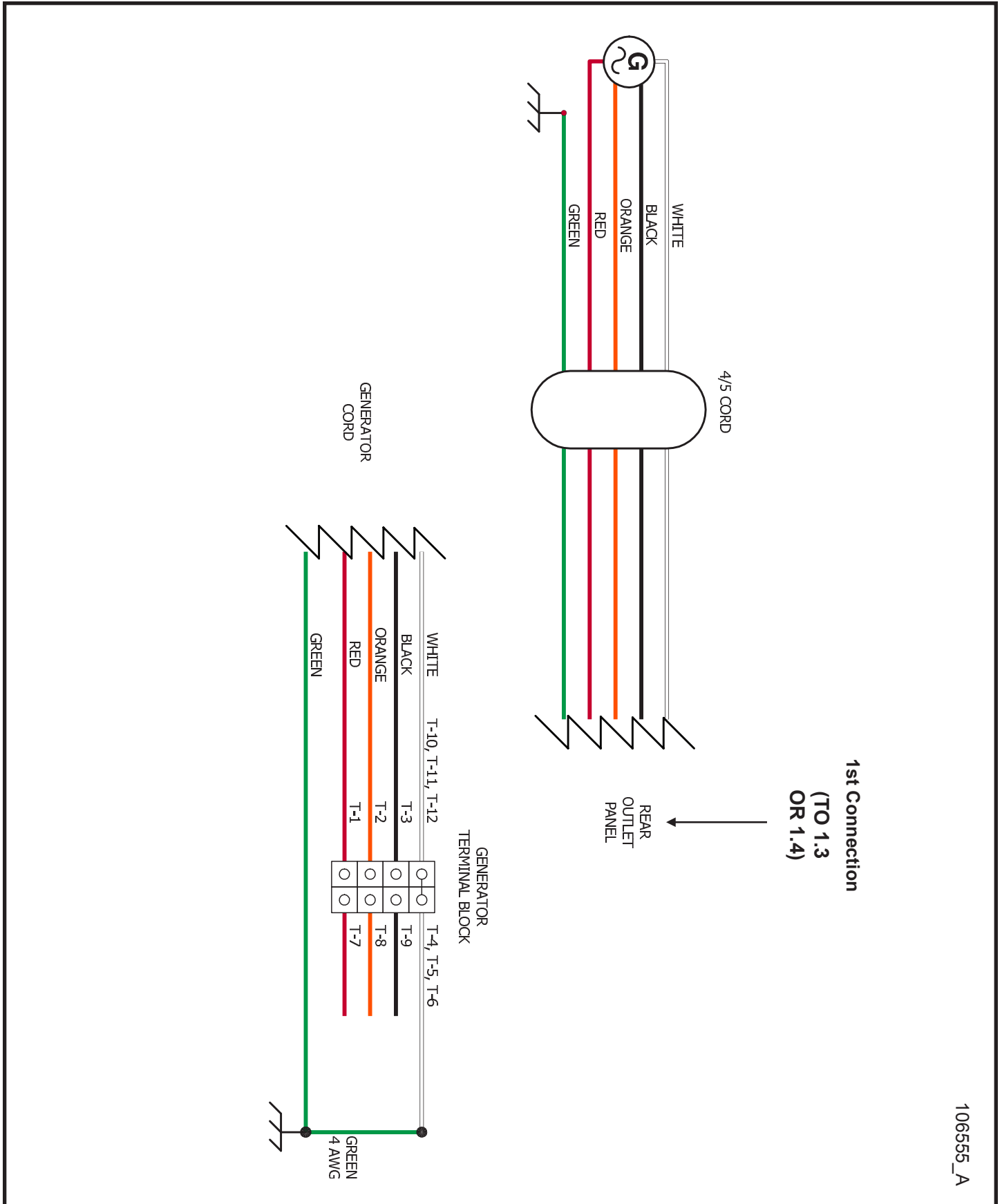
1.68 - 8kW 1P Marathon/Athlon Schematic



1.69 - 4/4 Cord 240 L-L CAT C1.5 Schematic

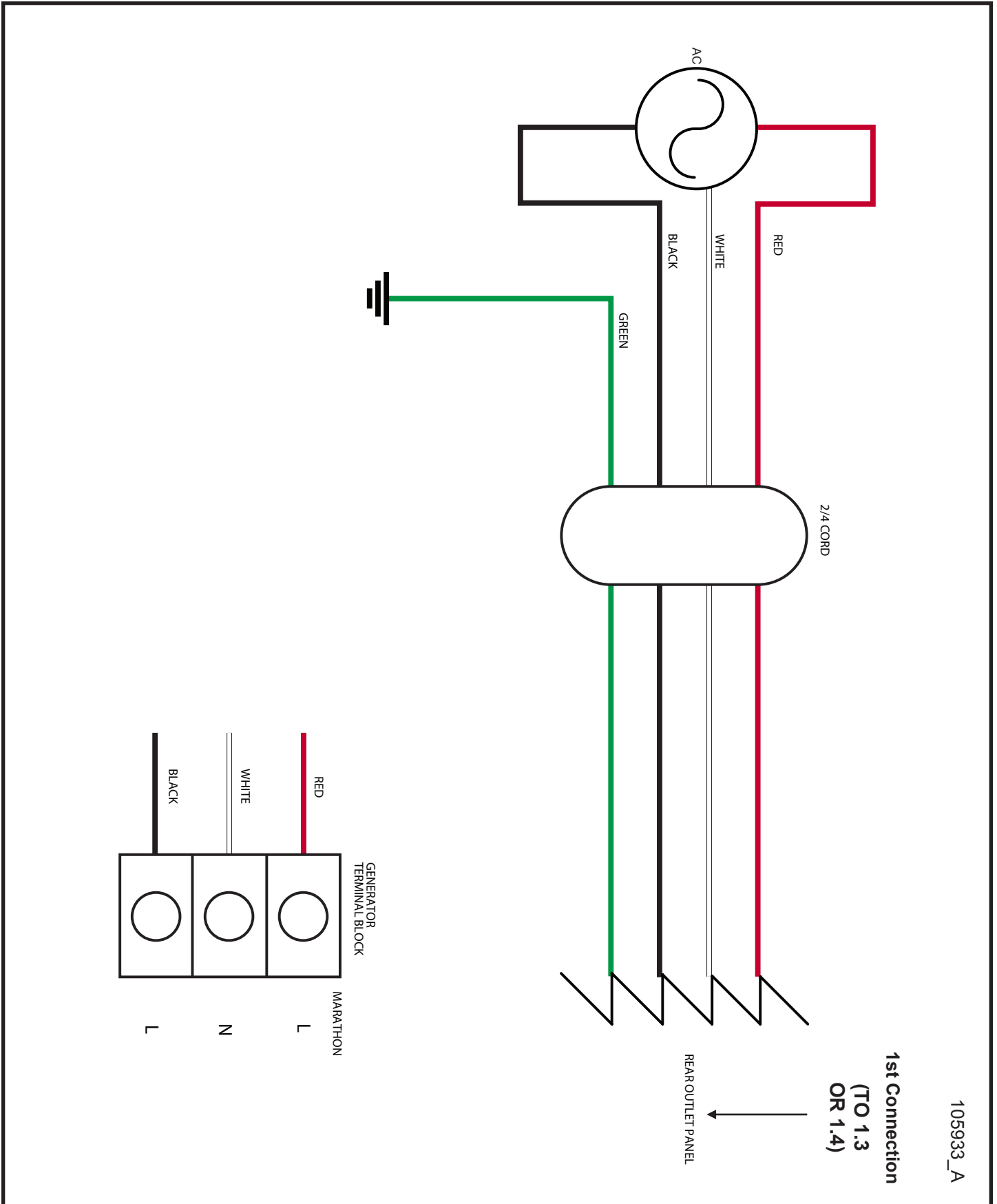


1.70 - 3P CAT C1.5T Schematic

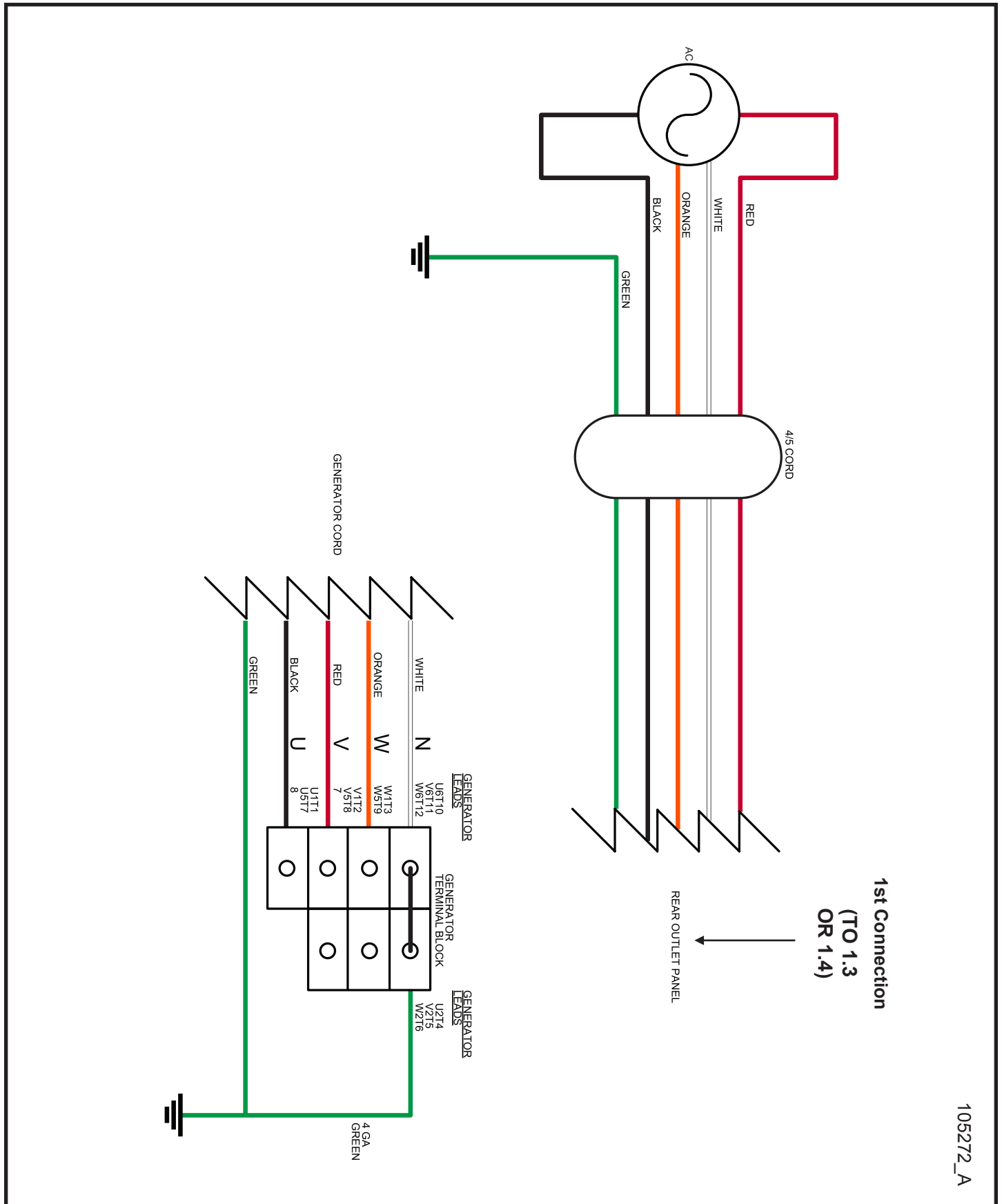


106555_A

1.71 - 20kW 1P Marathon Schematic

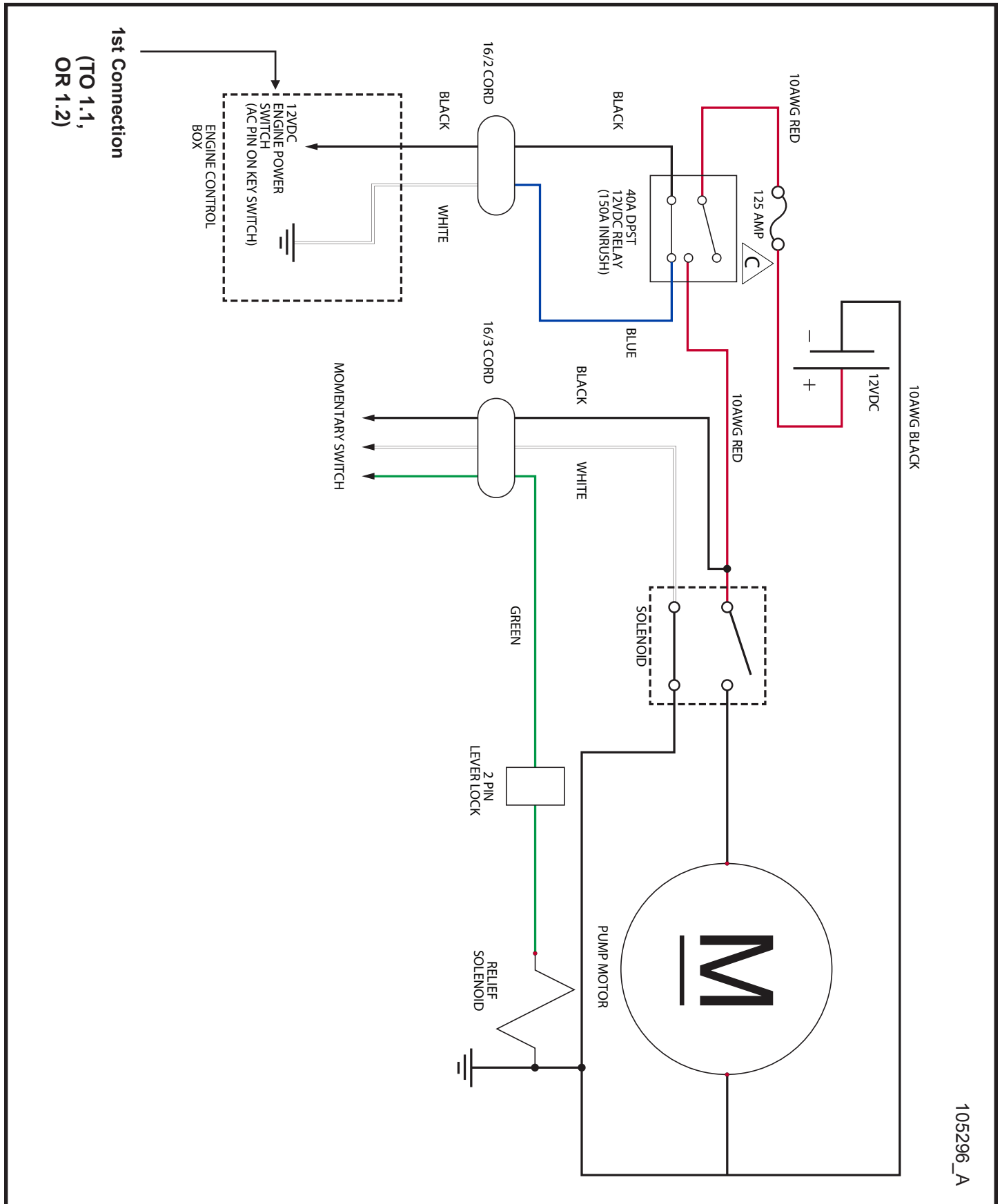


1.72 - 20kW 3P 208V 60Hz Cummins Schematic

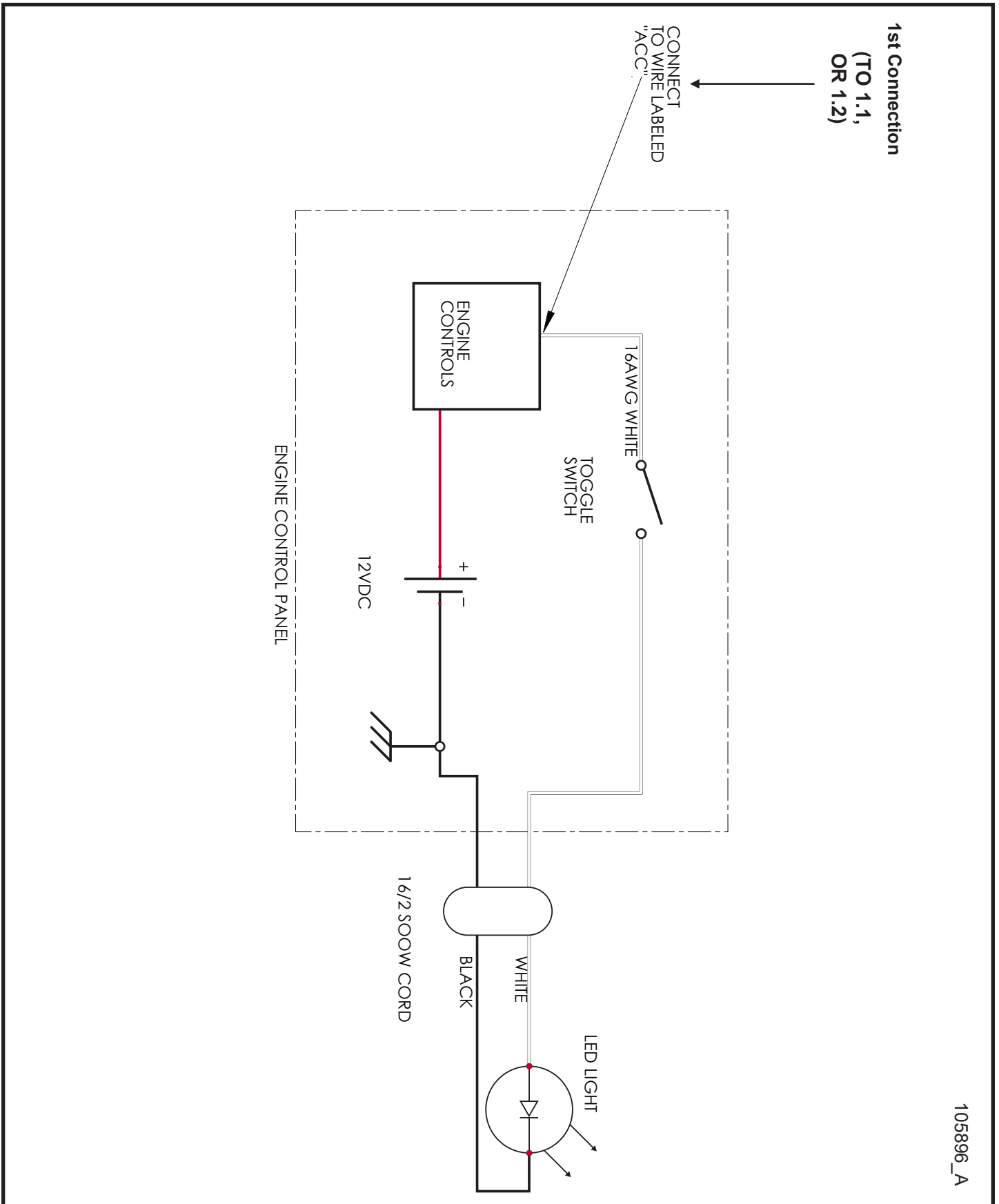


105272_A

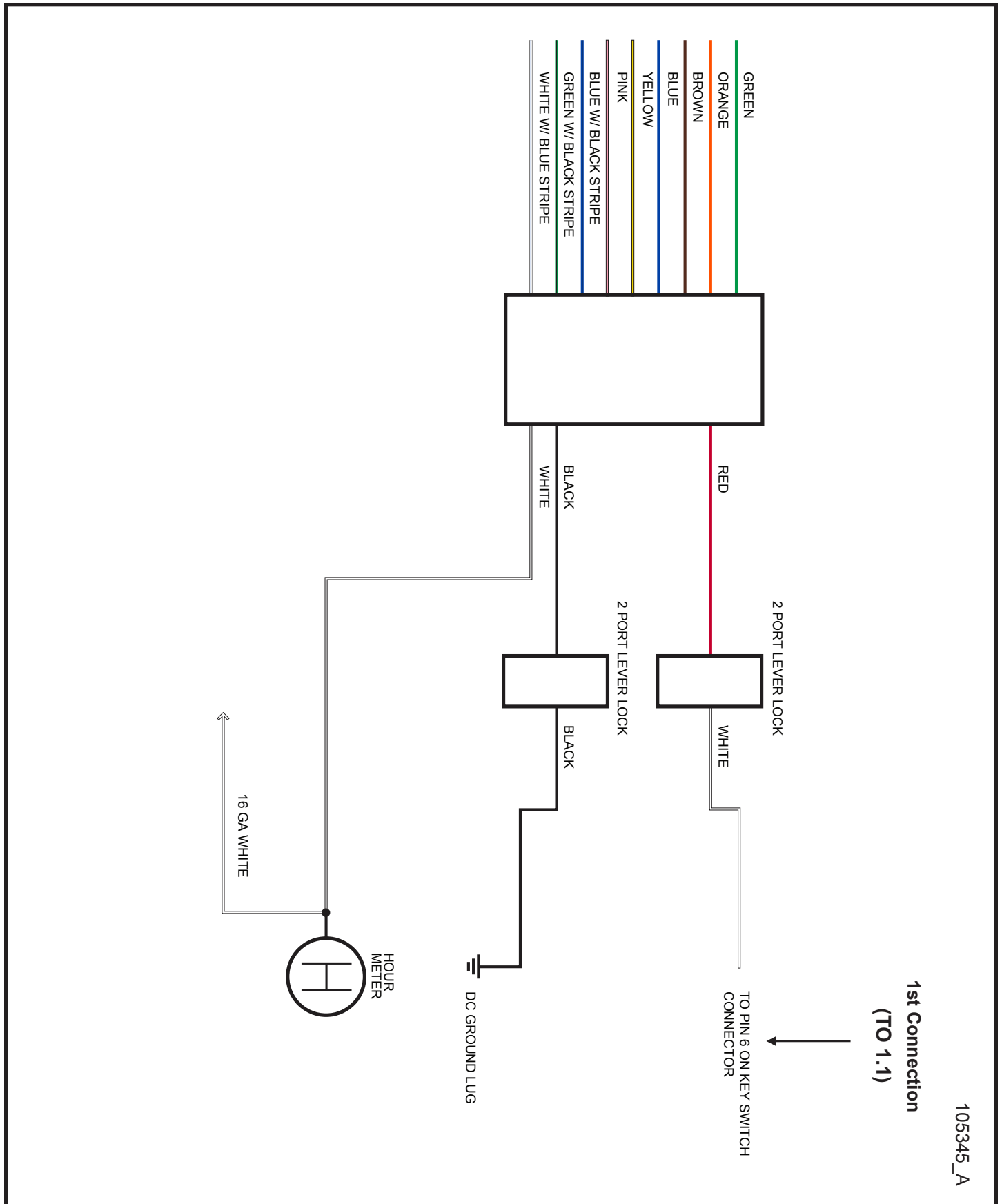
1.73 - Hydraulic Vertical Pump w/Key Switch Relay Schematic



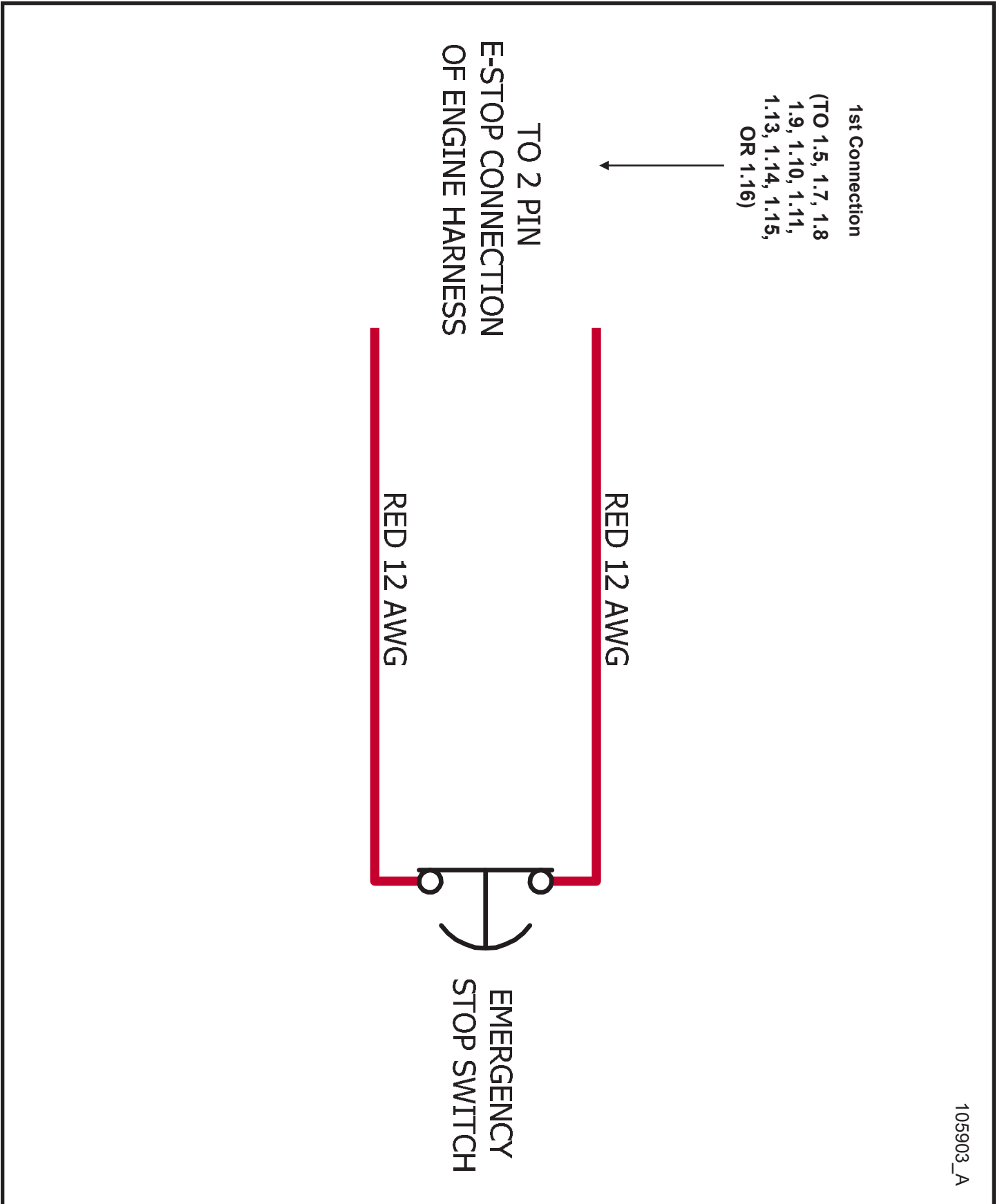
1.74 - Interior Work Light Schematic



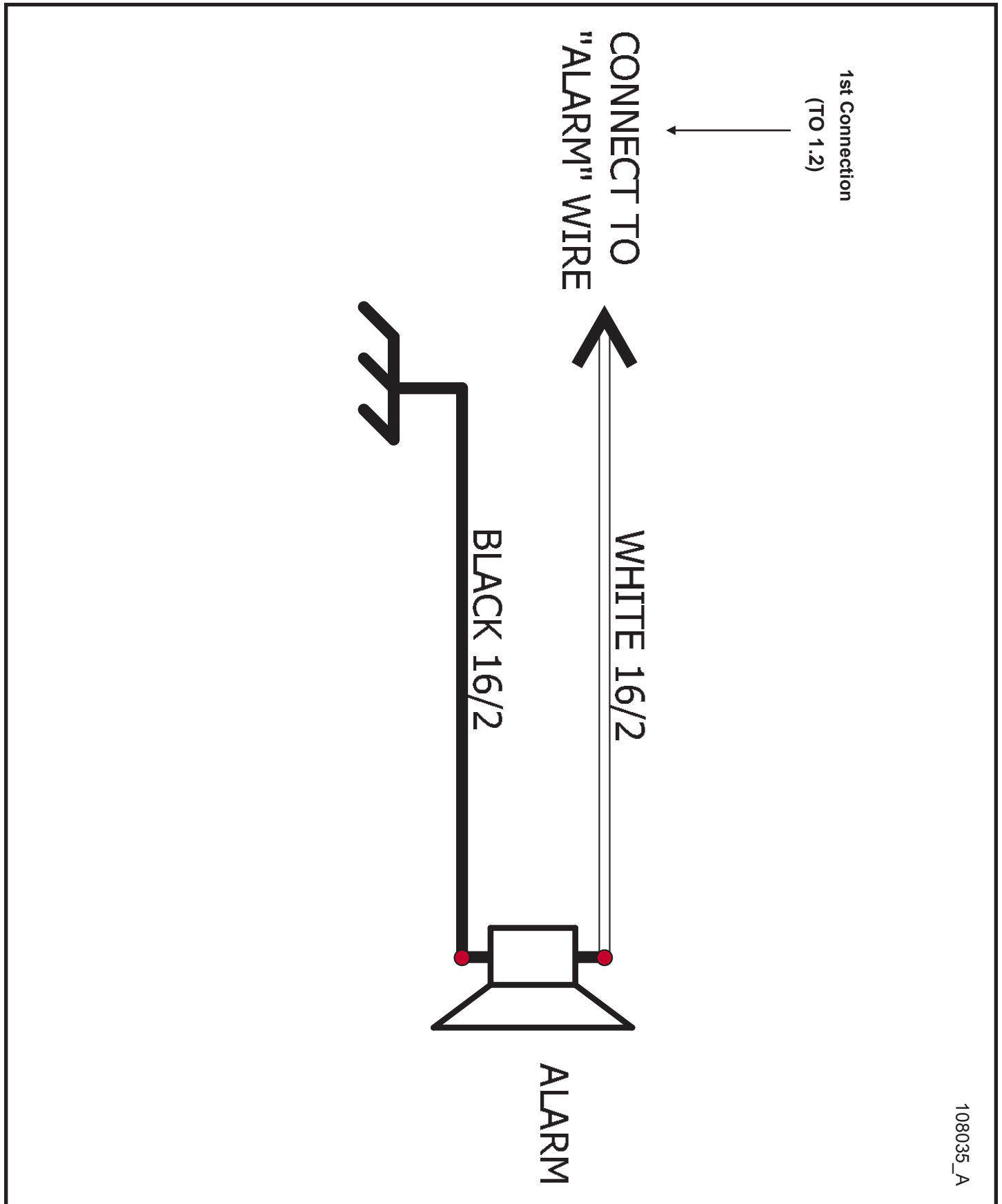
1.75 - GPS ZTR System Schematic



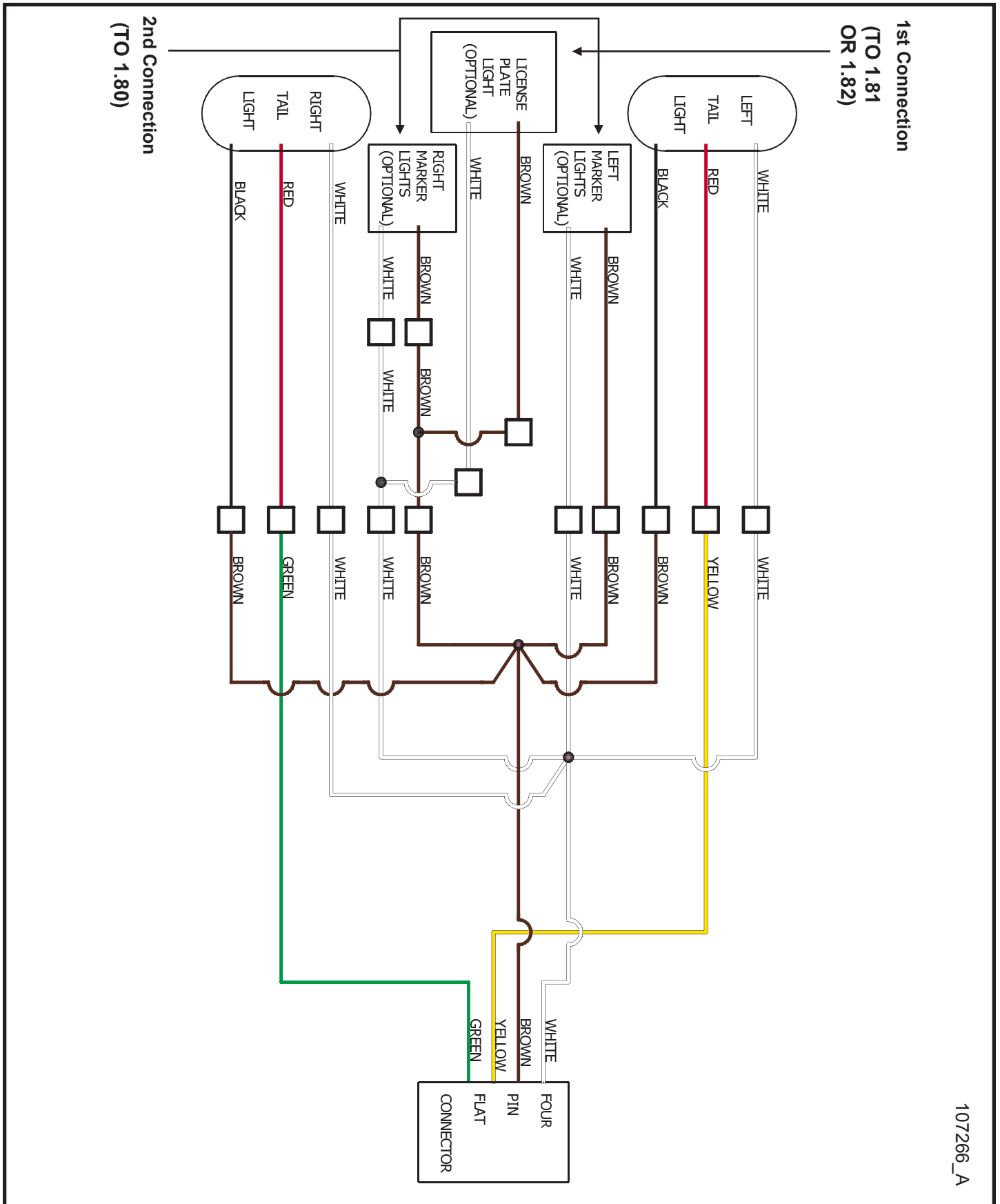
1.76 - Emergency Stop Schematic



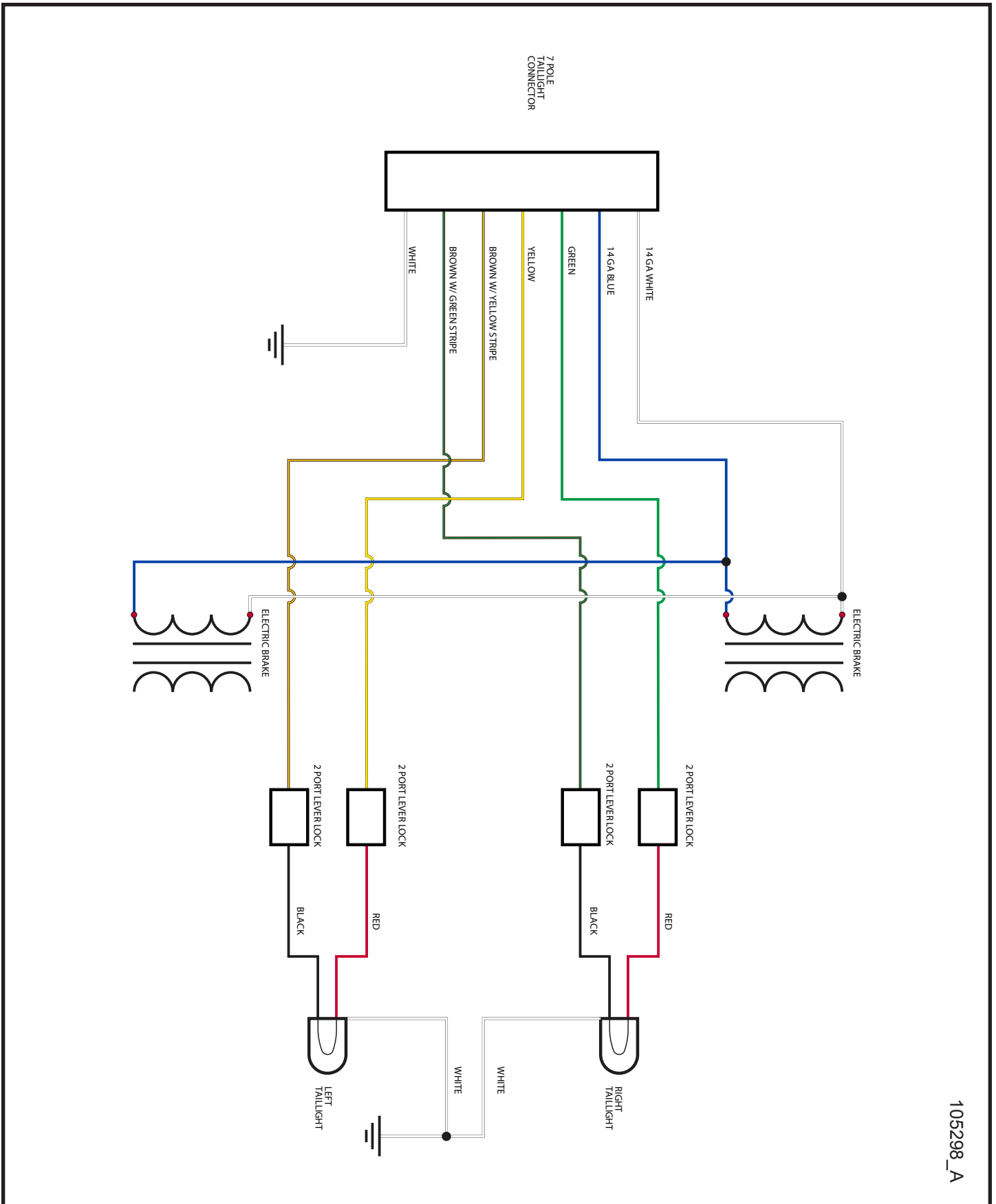
1.77 - 102 Decibel Alarm Schematic



1.78 - Tail Light Schematic

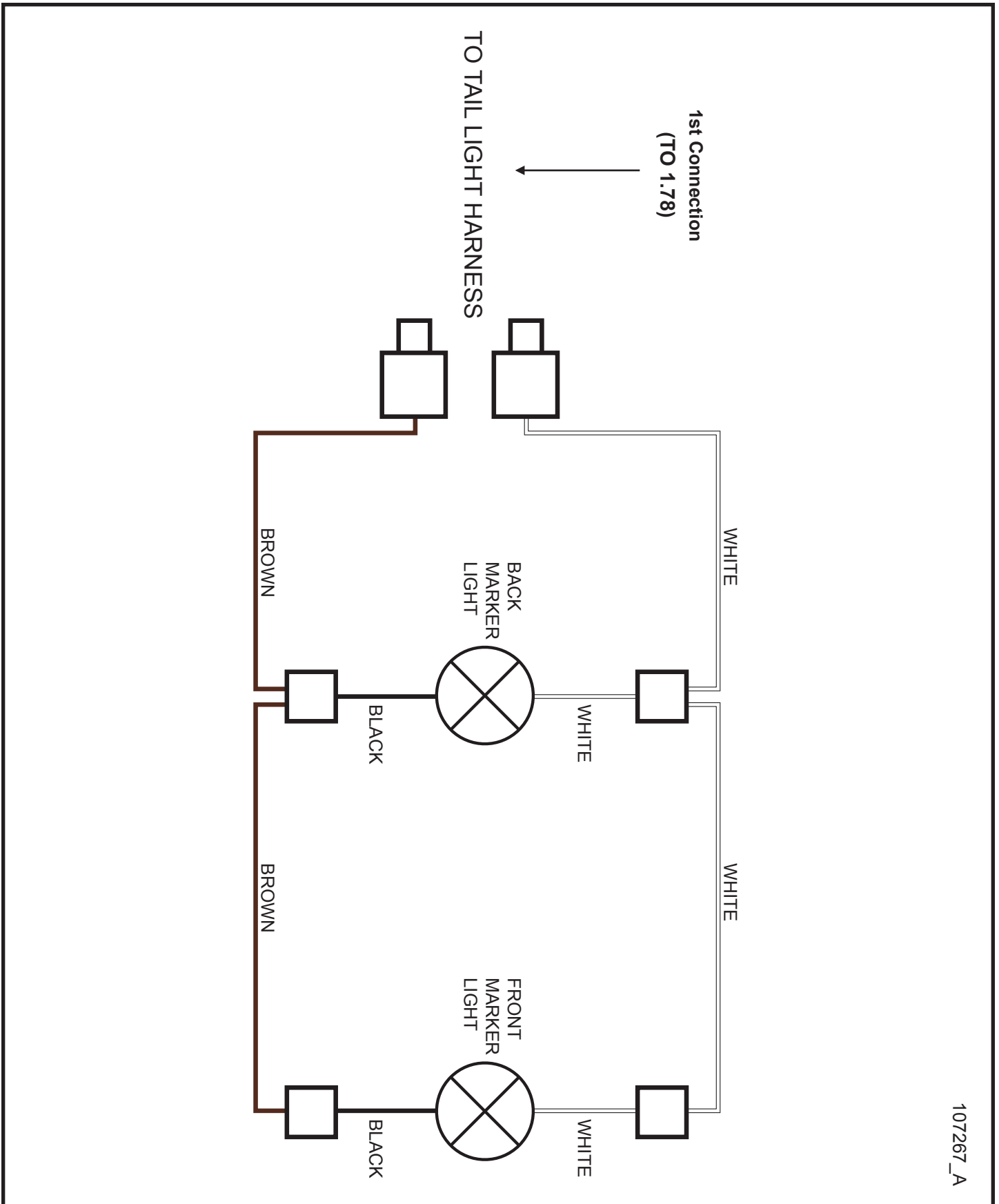


1.79 - Electrical Brake Tail Light Schematic



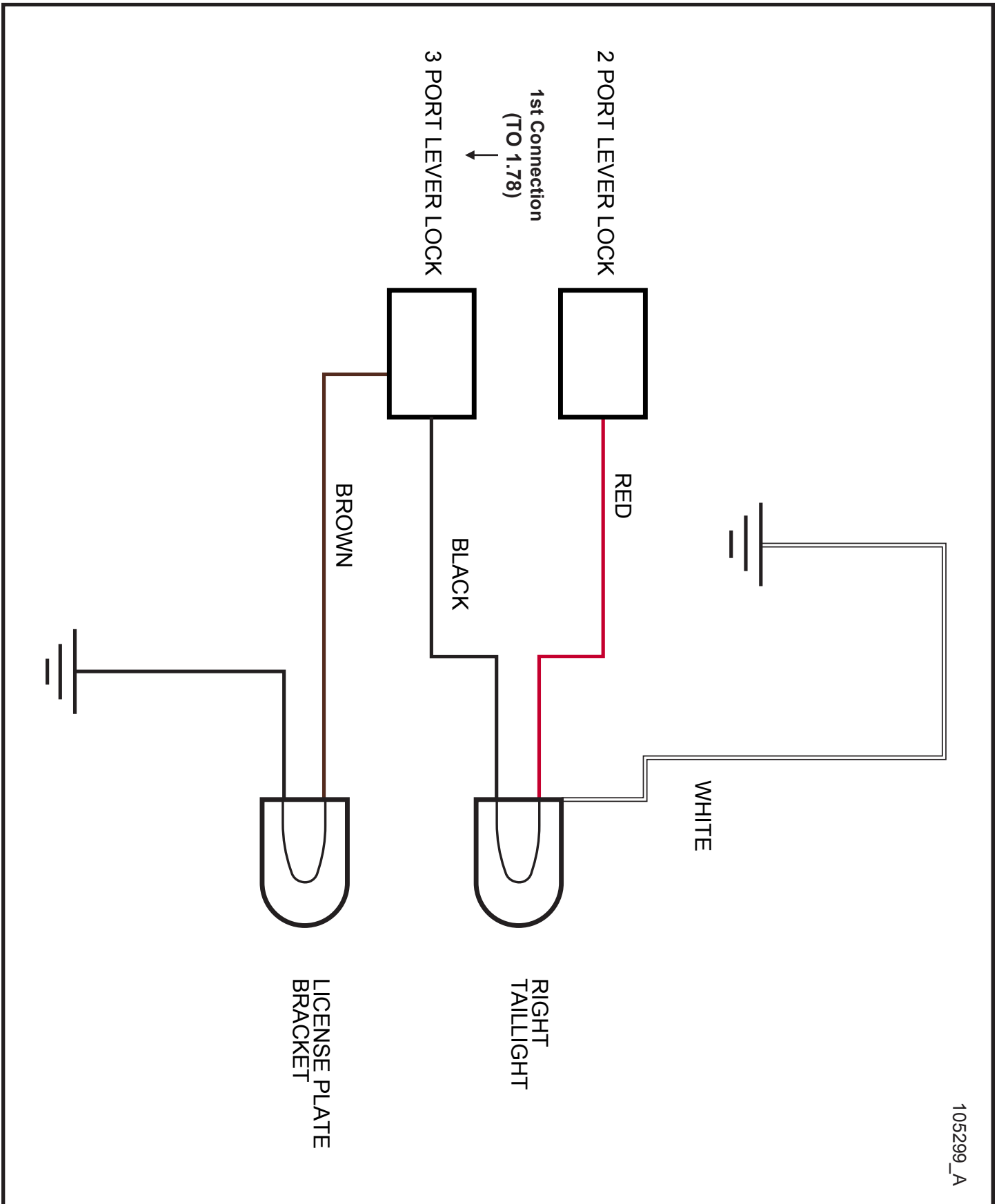
105298_A

1.80 - Marker Lights Schematic

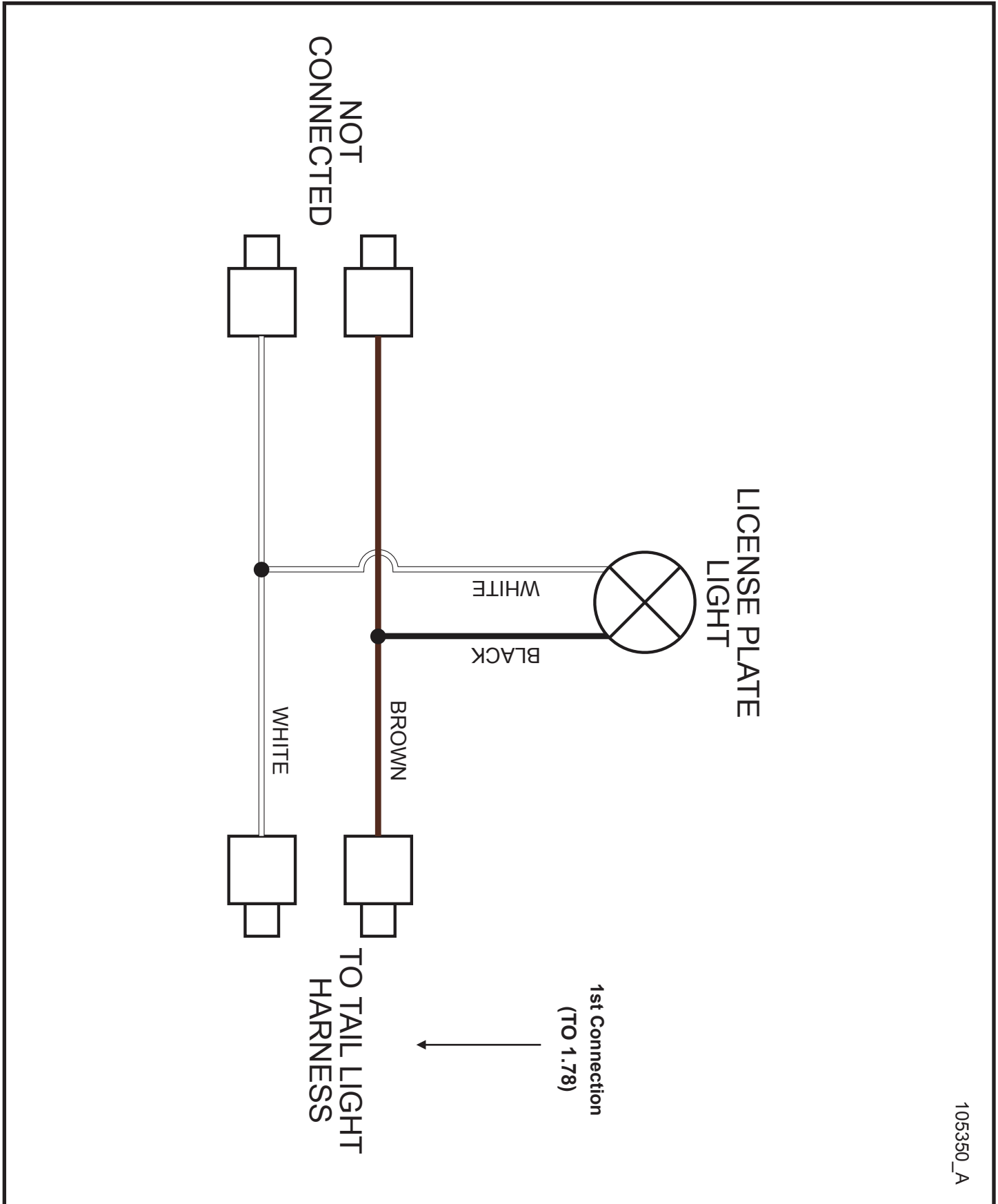


107267_A

1.81 - License Plate Light Schematic



1.82 - License Plate LED Light Schematic



105350_A

Allmand™

BRIGHTER. WARMER. SAFER.

Allmand Bros., Inc.
1502 West 4th Avenue
Holdrege, NE 68949
phone: (308) 995-4495 • toll free: (800) 562-1373
fax: (308) 995-5887

www.allmand.com



Reliability, performance, and integrity since 1938

13-0267