

Allmand™

Brighter. Warmer. Safer.



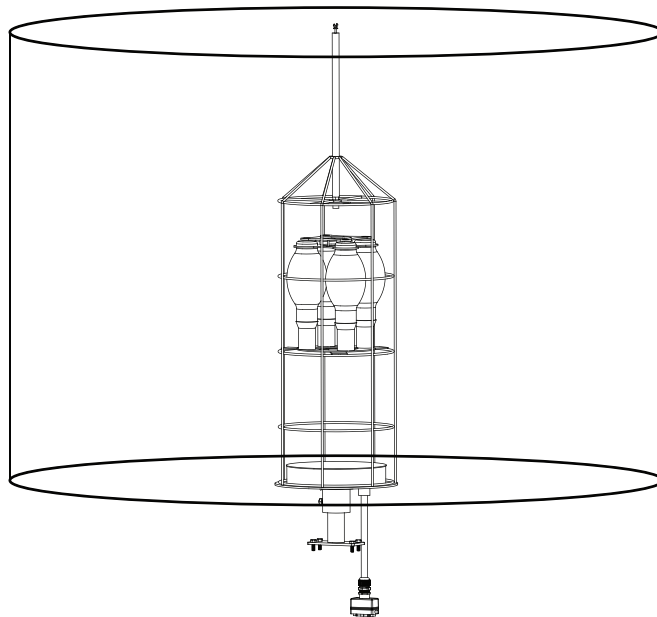
(en) **Parts Manual**
BALLOON LIGHT

**Portable
Industrial
Heaters**

**Portable
Light Towers**

**Portable
Light Stands**

**Solar Flashing
Arrow Boards**



Copyright © 2016 Allmand Bros., Inc.
Holdrege, NE, USA. All rights reserved.

Part No.: 107996
Revision: A

LIGHT TOWER APP



Reliability, Performance, and Integrity Since 1938

www.allmand.com

TABLE OF CONTENTS

1.0 BALLOON LIGHT PARTS

Balloon Light Assembly Group	(1.1)
Balloon Light Carry Case	(1.2)

2.0 LAYDOWN TOWER INSTALL GROUP

Laydown Balloon Light Install Group	(2.1)
Laydown Balloon Light Cord Group	(2.2)
Laydown Light Bar Balloon Light Cord Group	(2.3)

3.0 VERTICAL TOWER INSTALL GROUP

Vertical Balloon Light Install Group	(3.1)
Vertical Balloon Light Nycoil Cord Group	(3.2)
Vertical Light Bar Balloon Light Group	(3.3)
Vertical Light Bar Balloon Light Cord Group	(3.4)

4.0 LAMPS AND BALLASTS

1250W Lamps with 60Hz 120V Ballast Boxes	(4.1)
1250W 60Hz 120V Ballast Box Assembly	(4.2)

5.0 DECALS

Balloon Light Decals	(5.1)
----------------------------	-------

6.0 WIRING SCHEMATICS

4 Light 14/7 Cord Junction Box Schematic	(6.1)
4 Light 16/8 Cord Junction Box Schematic	(6.2)
4 Light 14/7 Cord Schematic	(6.3)
4 Light 16/8 Cord Schematic	(6.4)
4 Light 14/7 Cord Junction Box Schematic	(6.5)

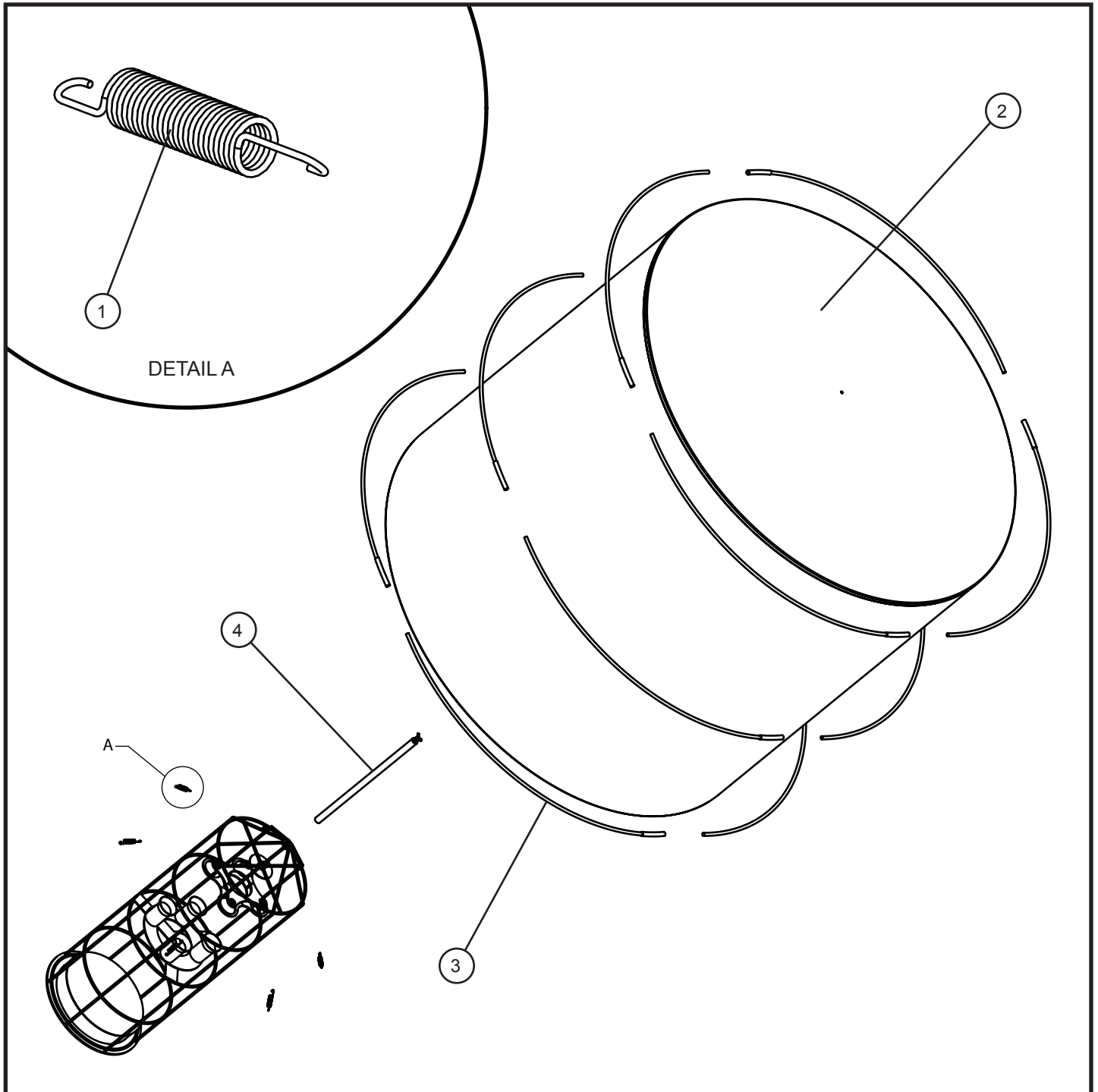
BALLOON LIGHT

TABLE OF CONTENTS

6.0 WIRING SCHEMATICS (Continued)

4 Light 16/8 Cord Junction Box Schematic	(6.6)
1250W 60Hz 120V Ballast Schematic	(6.7)

1.1 - Balloon Light Assembly Group

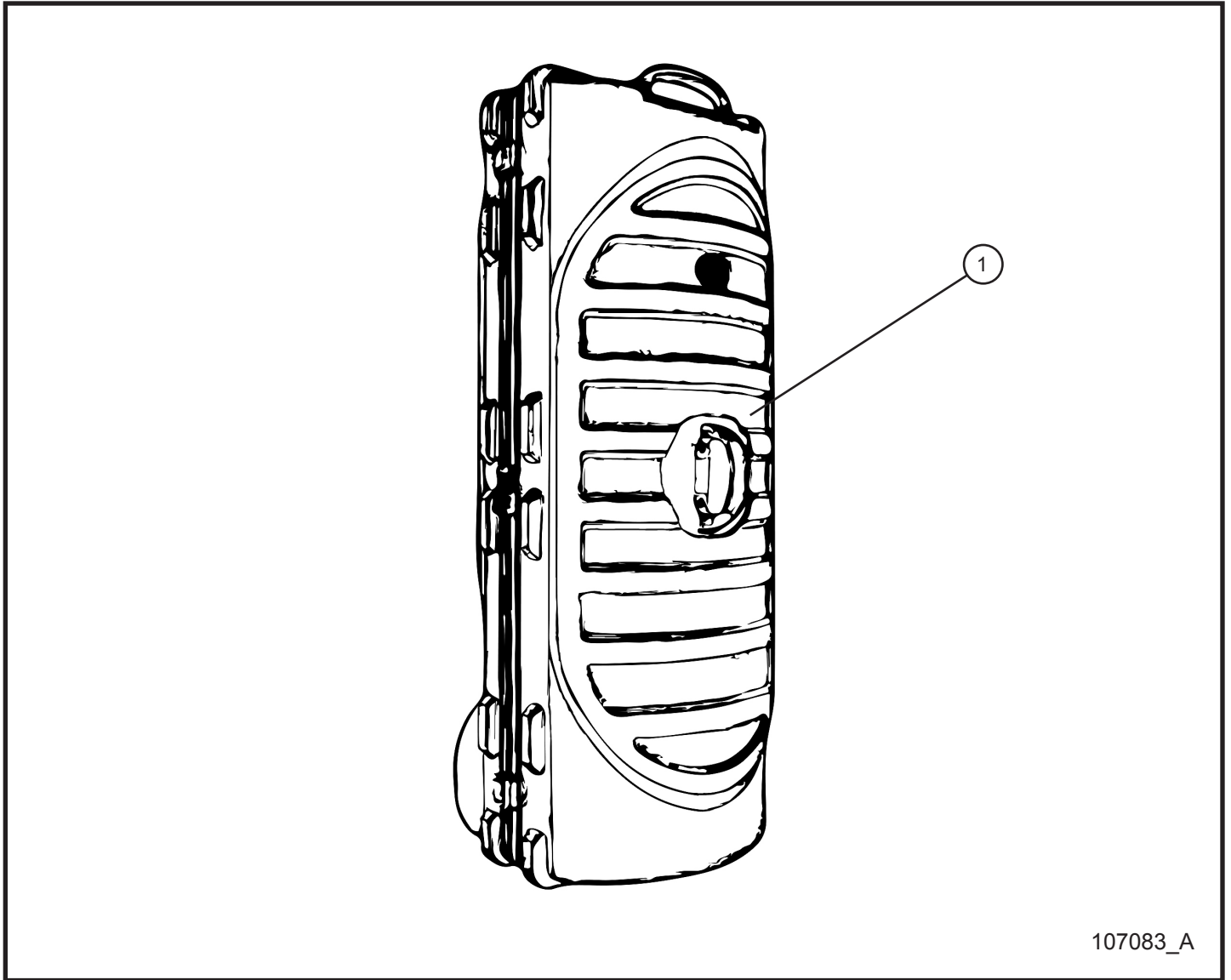


BALLOON LIGHT

1.1 - Balloon Light Assembly Group

Item	Part No.	Part Description	Qty.
--	107333	BALLOON LIGHT 3 ROD W/10 PIN COMPLETE ASSEMBLY	1
1	107276	BULB HOLDER SPRING HOLDER SET (16 PIECE SET)	1
2	107332	BALLOON 3 SLEEVE COVER	1
3	107242	BALLOON ROD SET (8 PIECE SET)	1
4	107278	BALLOON EXTENSION ROD	1

1.2 - Balloon Light Carry Case



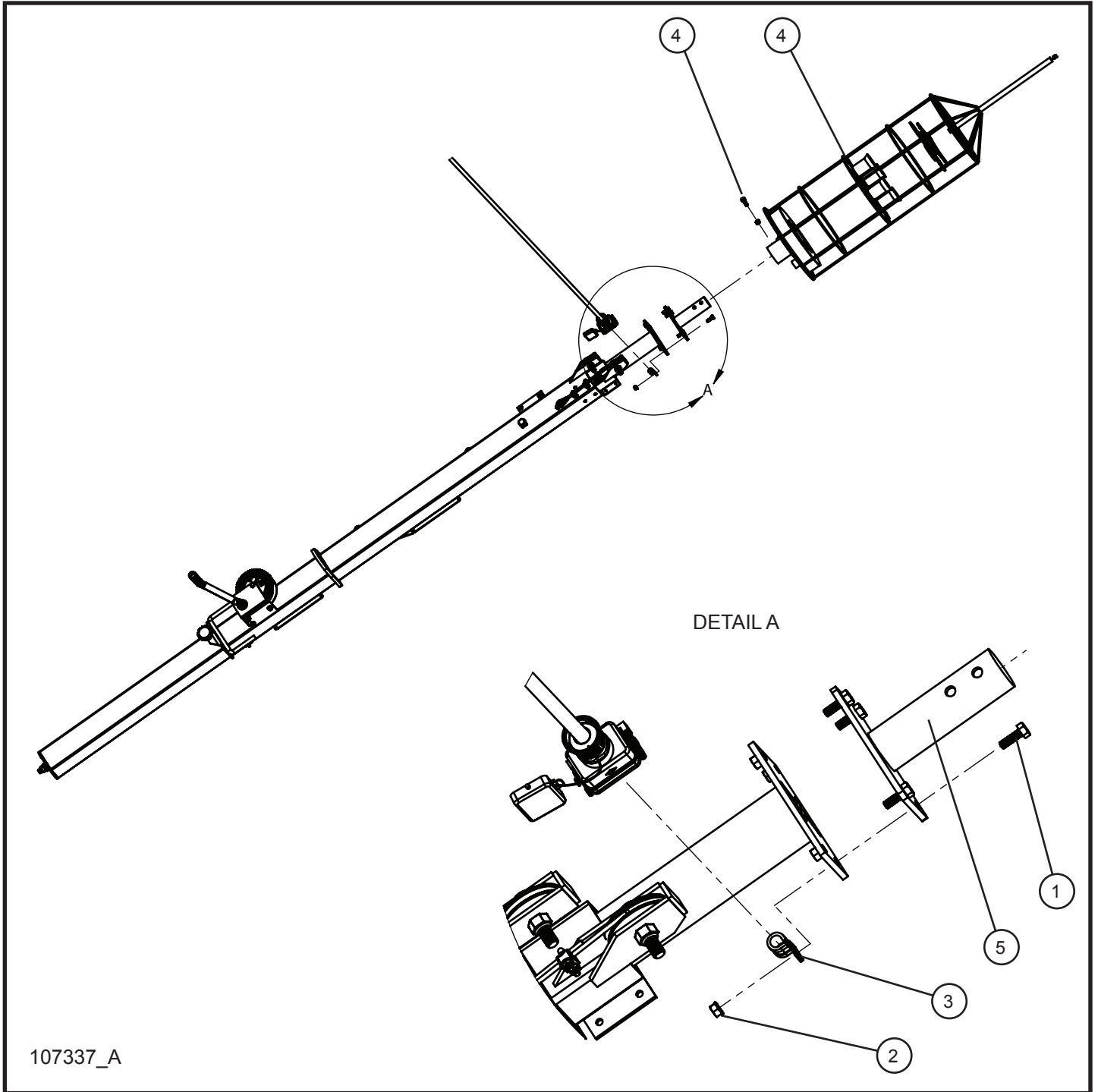
107083_A

BALLOON LIGHT

1.2 - Balloon Light Carry Case

Item	Part No.	Part Description	Qty.
1	107083	AIRSTAR LIGHT HARD COVER CARRY CASE	1

2.1 - Laydown Balloon Light Install Group

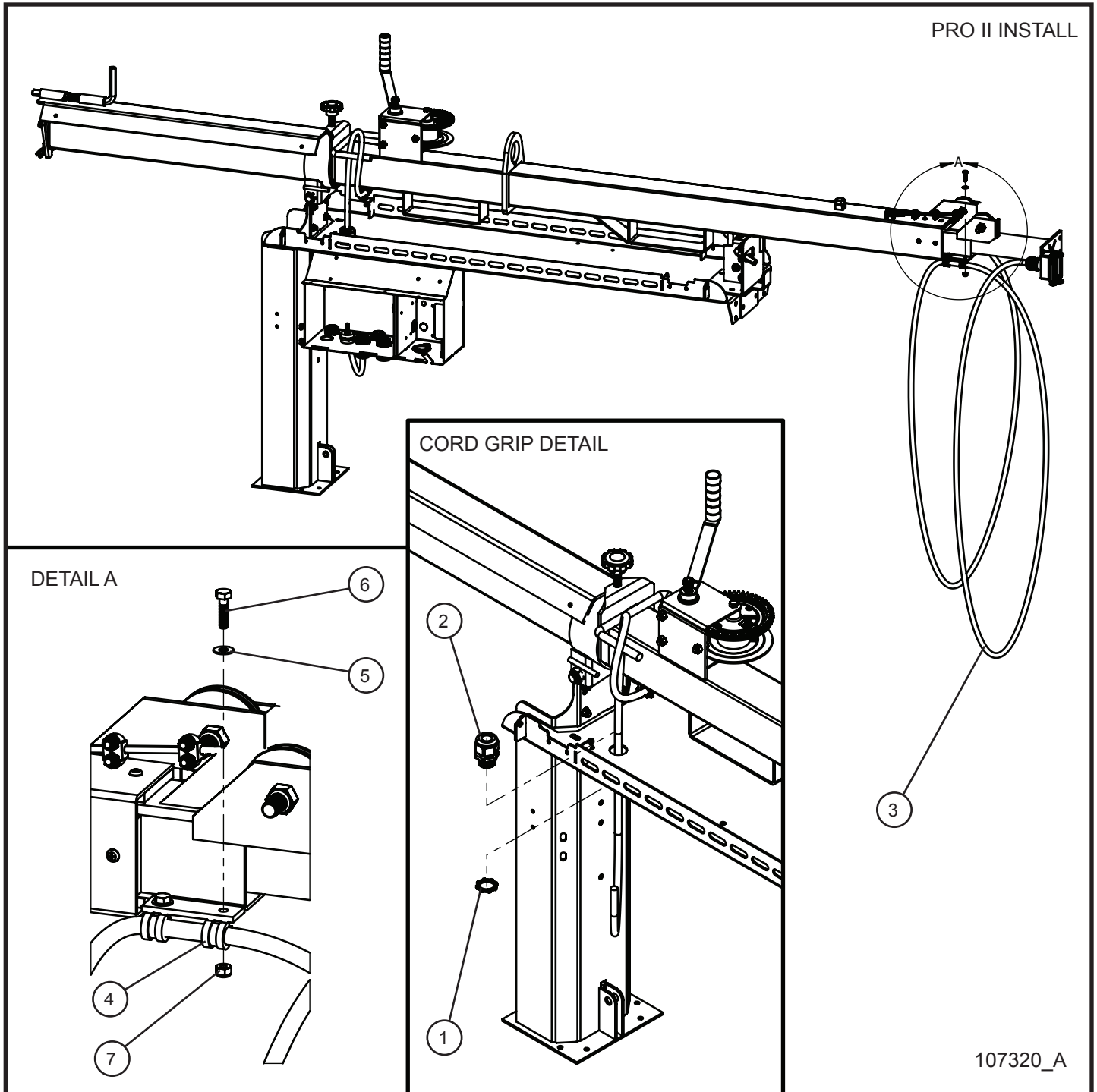


BALLOON LIGHT

2.1 - Laydown Balloon Light Install Group

Item	Part No.	Part Description	Qty.
1	046050	5/16-18 x 1 HEX HEAD CS GR5 PL	4
2	044031	5/16-18 KEPS HEX NUT PL	4
3	022018	#8 CUSH CLAMP	1
4	107333	BALLOON LIGHT 3 ROD W/10 PIN COMPLETE ASSEMBLY	1
5	108443P	TOWER MOUNT BALLOON LIGHT	1

2.2 - Laydown Balloon Light Cord Group (1 of 2)

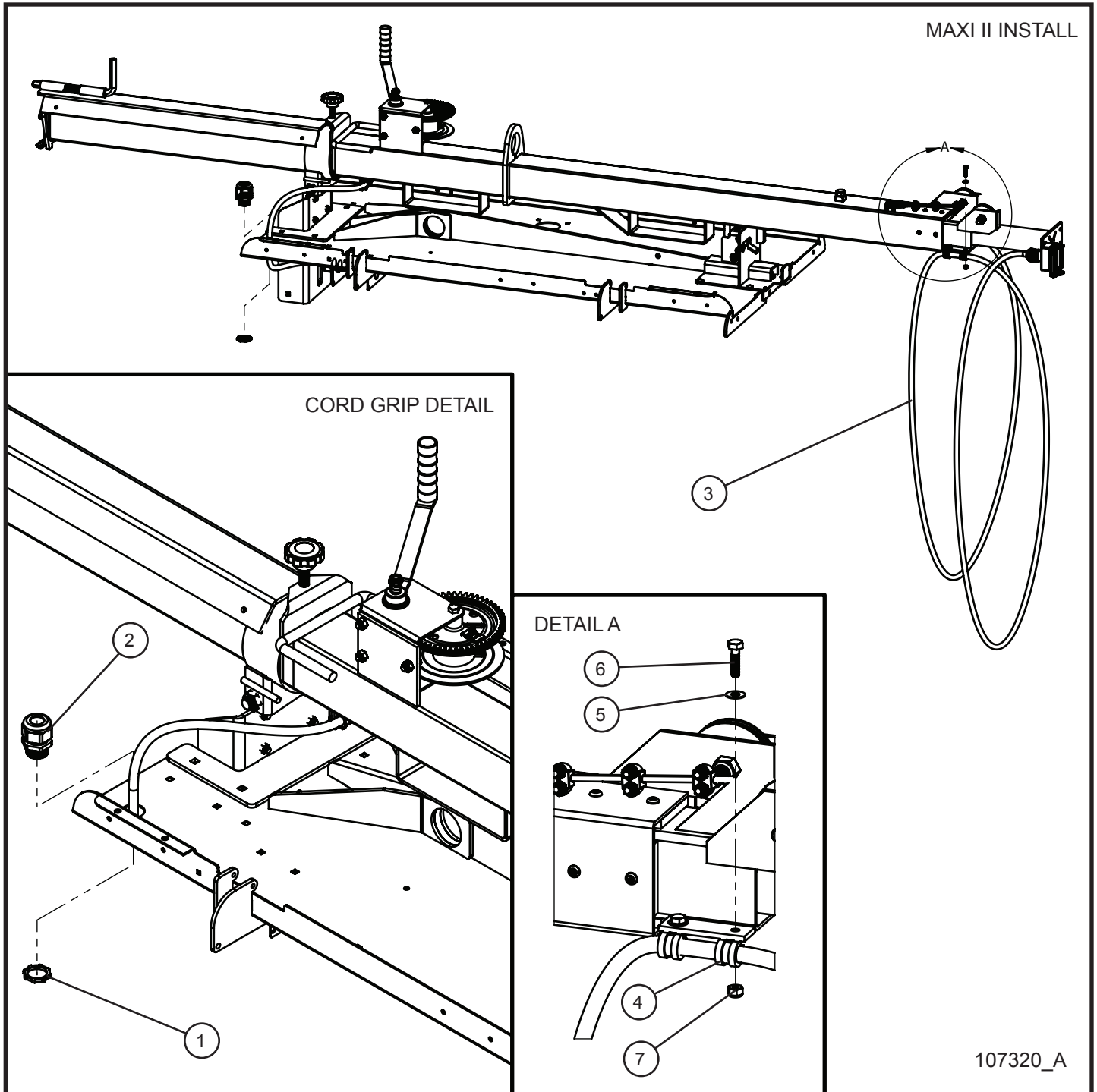


BALLOON LIGHT

2.2 - Laydown Balloon Light Cord Group (1 of 2)

Item	Part No.	Part Description	Qty.
1	022038	1" CORD GRIP NUT	1
2	105627	CORD GRIP 1" NYLON BLACK	1
3	107085	STRAIGHT CORD 16/8 4-LIGHT	1
	107331	STRIAGHT CORD 14/7 4-LIGHT	1
4	310212	#10 CUSH CLAMP 1/4 HOLE	2
5	047009	1/4 FLAT WASHER SAE SS	2
6	046015	1/4-20 x 1 HEX HEAD CS GR5 PL	2
7	046023	1/4-20 NYLOCK HEX NUT PL	2
8	106875	SCHEMATIC 4 LIGHT 16/8 CORD	1
9	106874	SCHEMATIC 4 LIGHT 14/7 CORD	1

2.2 - Laydown Balloon Light Cord Group (2 of 2)

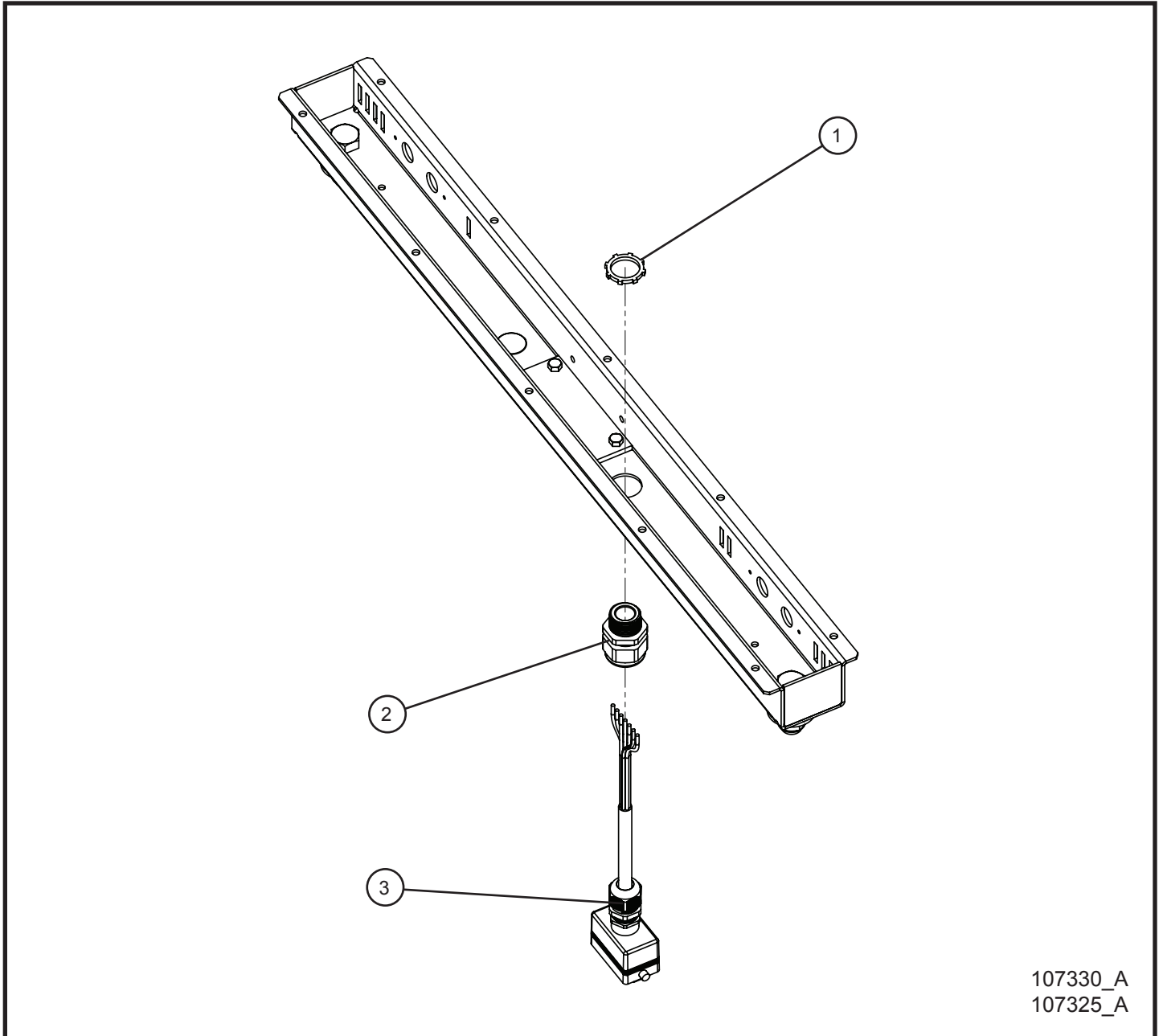


BALLOON LIGHT

2.2 - Laydown Balloon Light Cord Group (2 of 2)

Item	Part No.	Part Description	Qty.
1	022038	1" CORD GRIP NUT	1
2	105627	CORD GRIP 1" NYLON BLACK	1
3	107085	STRAIGHT CORD 16/8 4-LIGHT	1
	107331	STRIAGHT CORD 14/7 4-LIGHT	1
4	310212	#10 CUSH CLAMP 1/4 HOLE	2
5	047009	1/4 FLAT WASHER SAE SS	2
6	046015	1/4-20 x 1 HEX HEAD CS GR5 PL	2
7	046023	1/4-20 NYLOCK HEX NUT PL	2
8	106875	SCHEMATIC 4 LIGHT 16/8 CORD	1
9	105284	SCHEMATIC 4 LIGHT 16/8 JUNCTION BOX	1
10	106874	SCHEMATIC 4 LIGHT 14/7 CORD	1
11	105283	SCHEMATIC 4 LIGHT 14/7 JUNCTION BOX	1

2.3 - Laydown Light Bar Balloon Light Cord Group

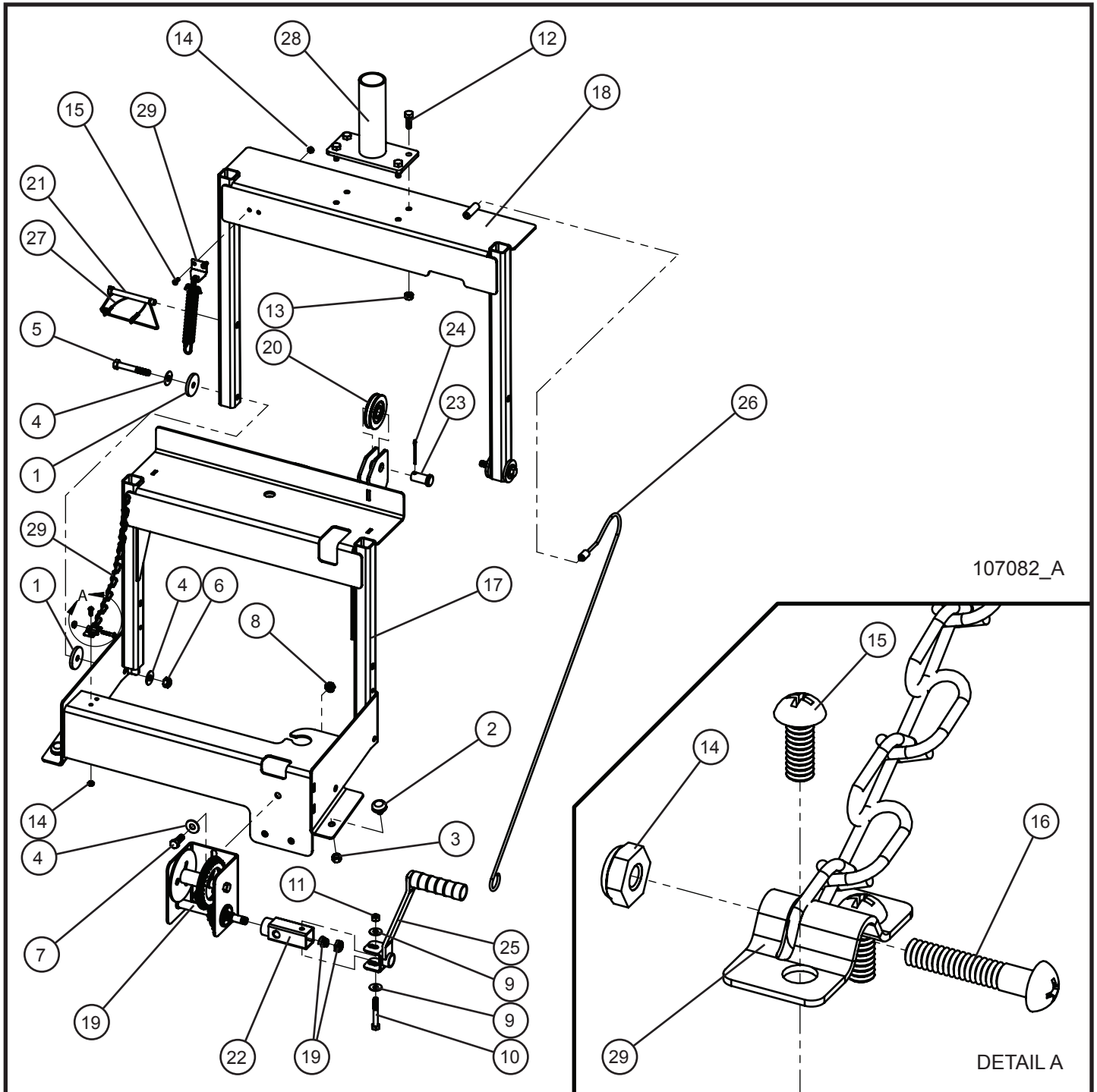


BALLOON LIGHT

2.3 - Laydown Light Bar Balloon Light Cord Group

Item	Part No.	Part Description	Qty.
1	022038	1" CORD GRIP NUT	1
2	105627	CORD GRIP 1" NYLON BLACK	1
3	107087	14/7 STRAIGHT CORD LIGHT BAR SIDE	1
	107086	16/8 STRAIGHT CORD LIGHT BAR SIDE	1
4	105291	SCHEMATIC LIGHT BAR 4 LIGHT 14/7 CORD	1
5	105292	SCHEMATIC LIGHT BAR 4 LIGHT 16/8 CORD	1

3.1 - Vertical Balloon Light Install Group (1 of 2)

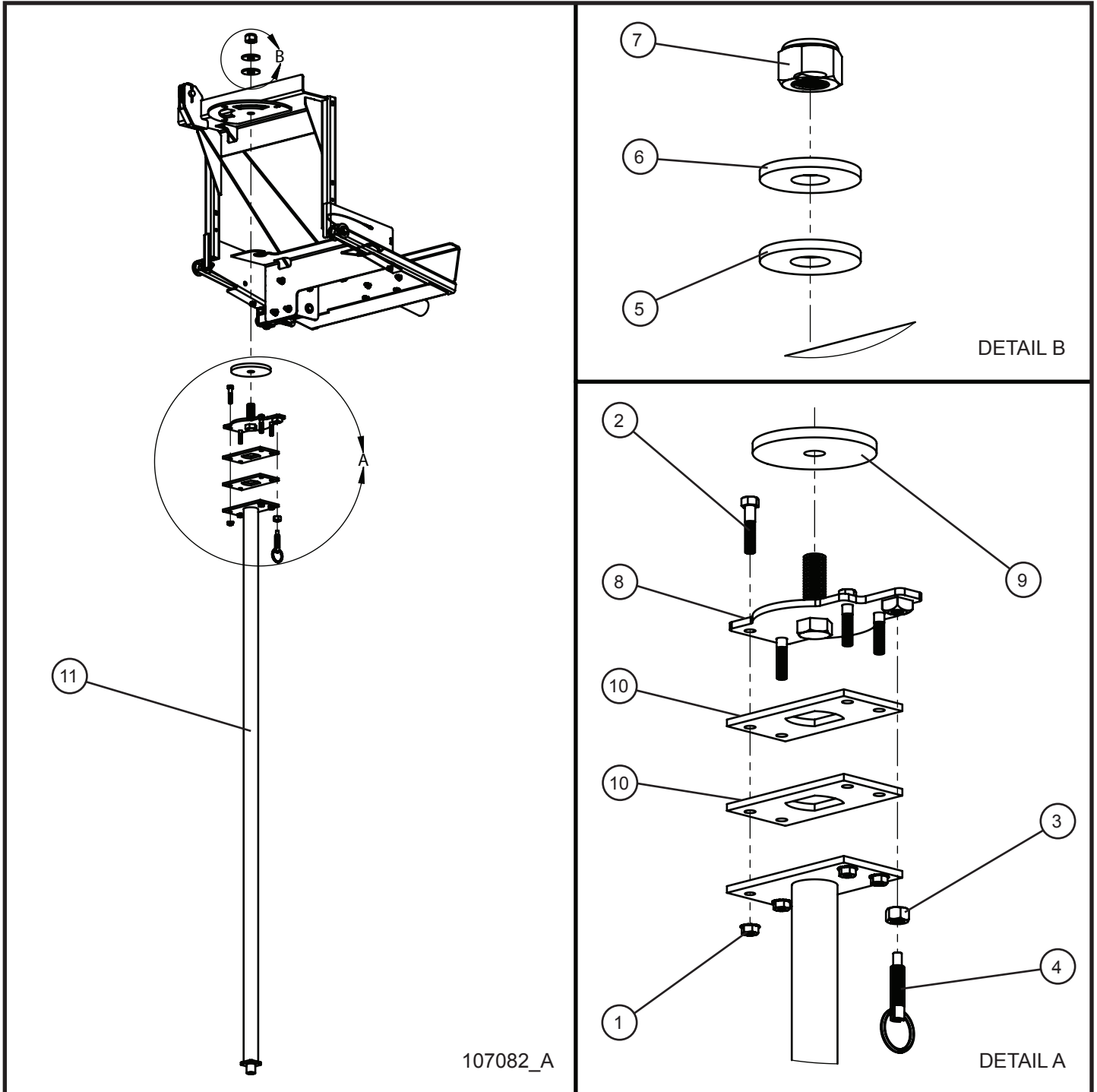


BALLOON LIGHT

3.1 - Vertical Balloon Light Install Group (1 of 2)

Item	Part No.	Part Description	Qty.
1	105518	THRUST BUSHING LEVER LOCK	4
2	330041	RUBBER BUMPER	2
3	044035	NUT HEX 3/8-16 ZINC	2
4	047015	3/8 FLAT WASHER PL	7
5	046134	3/8-16 x 2 1/2 HEX HEAD CS GR8 PL	2
6	044038	3/8-16 NYLOCK HEX NUT PL	2
7	046110	3/8-16 x 1 HEX HEAD CS GR5 PL	3
8	044036	3/8-16 KEPS HEX NUT PL	3
9	047010	5/16 FLAT WASHER PL	2
10	046070	5/16-18 x 2 1/4 HEX HEAD CS GR5 PL	1
11	044033	5/16-18 NYLOCK HEX NUT PL	1
12	046050	5/16-18 x 1 HEX HEAD CS GR5 PL	4
13	044031	5/16-18 KEPS HEX NUT PL	4
14	044018	#10-24 NYLOCK HEX NUT PL	5
15	041021	#10-24 x 1/2 PH-ROUND HEAD MS PL	4
16	041030	#10-24 x 1 PH-ROUND HEAD MS PL	1
17	107075P	TOWER MOUNT WELDMENT	1
18	107081P	SWING ARM AIRSTAR VERTICAL	1
19	530337	WINCH DLB 350	1
20	100160	2 1/2 PULLEY BALL BEARING	1
21	712017	LOCK PIN SNAP	1
22	660144	DRIVE HUB	1
23	102906	5/8 x 1 1/4 CLEVIS PIN	1
24	045042	COTTER PIN 1/8 x 1 1/2"	1
25	107167	HANDLE WINCH	1
26	108437	WINCH CABLE AIRSTAR VERTICAL	1
27	712061	STEEL LANYARD	1
28	106835P	MOUNT AIRSTAR LIGHT BALLOON	1
29	108708	CHAIN STOP	1

3.1 - Vertical Balloon Light Install Group (2 of 2)

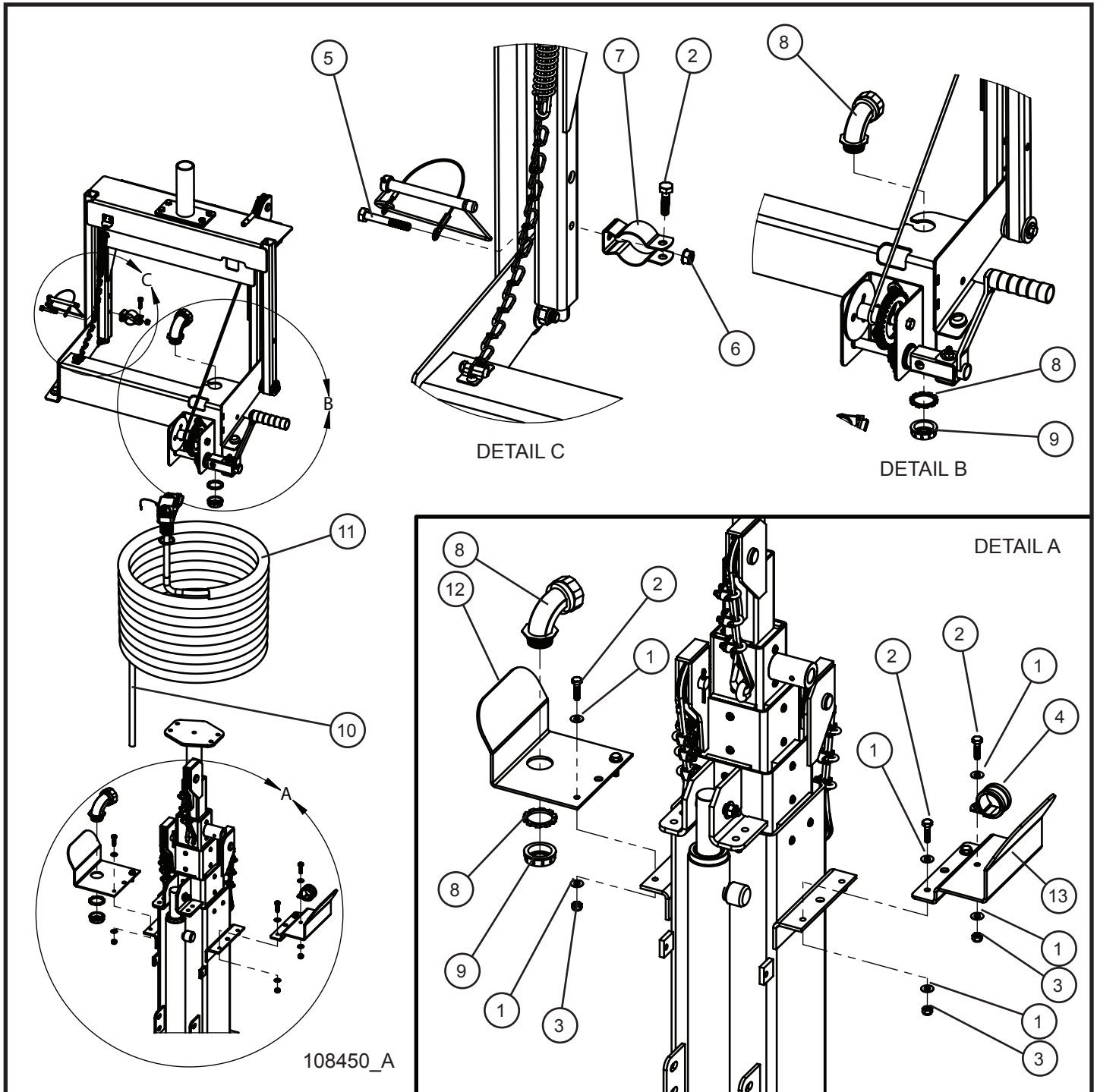


BALLOON LIGHT

3.1 - Vertical Balloon Light Install Group (2 of 2)

Item	Part No.	Part Description	Qty.
1	044036	3/8-16 KEPS HEX NUT PL	4
2	046126	3/8-16 x 1 3/4 HEX HEAD CS GR5 PL	4
3	044045	1/2-13 HEX NUT PL	1
4	100148	SPRING LOCK 1/2-13 UNC x 1.4	1
5	650550	.785" x 2" HDPE WASHER	1
6	047035	3/4 FLAT WASHER PL	1
7	044058	3/4-10 NYLOCK HEX NUT PL	1
8	108236P	ROTATION MOUNT	1
9	100147	UHMW BEARING TOWER ROTATION	1
10	100104P	BRACKET LIGHT BAR SEC7	1
11	102972P	ROUND TOWER SECTION	1
	102972-20	ROUND TOWER SECTION - GALVANIZED	1

3.2 - Vertical Balloon Light Nycoil Cord Group

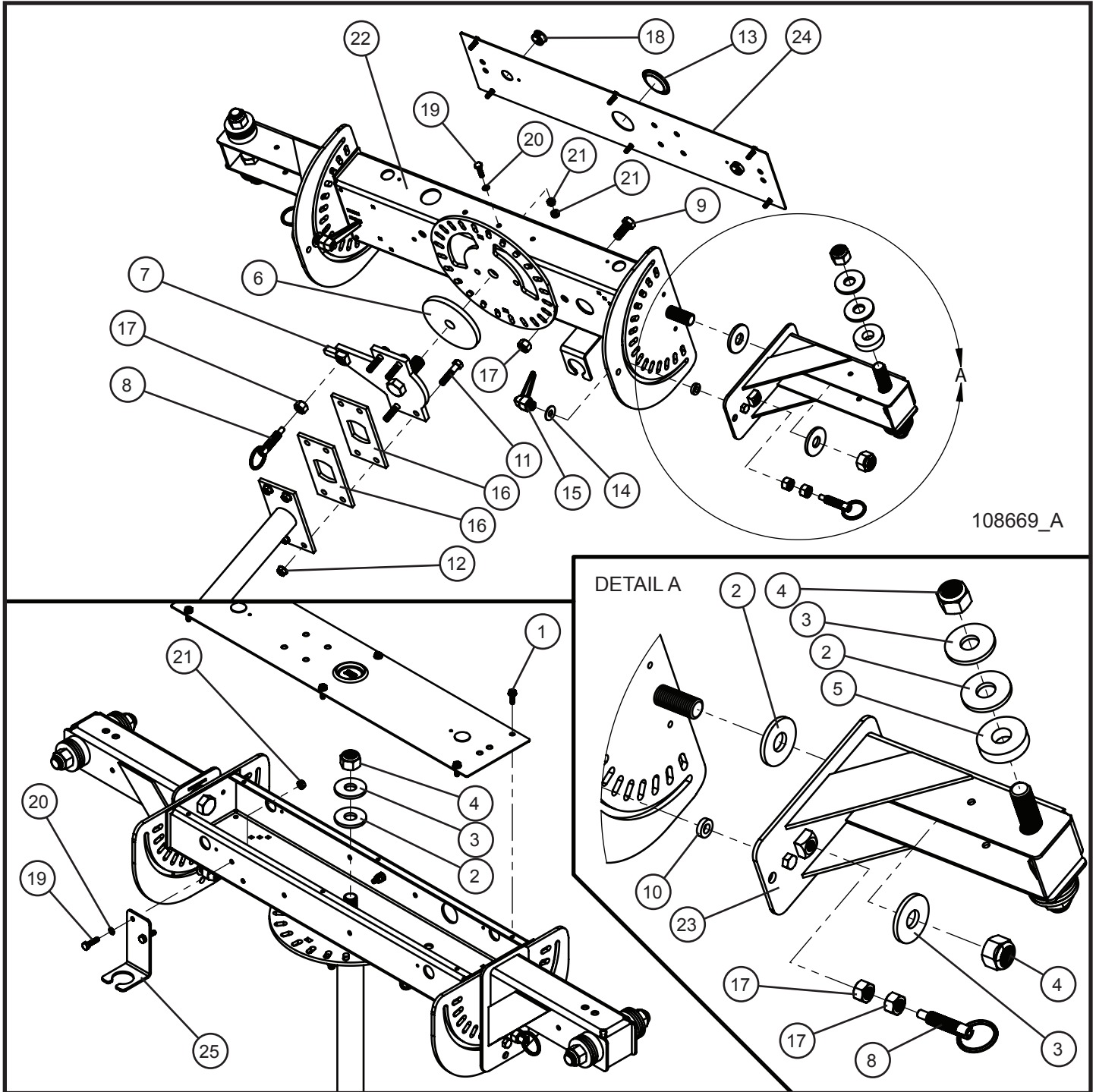


BALLOON LIGHT

3.2 - Vertical Balloon Light Nycoil Cord Group

Item	Part No.	Part Description	Qty.
1	047009	1/4 FLAT WASHER SAE SS	10
2	046015	1/4-20 x 1 HEX HEAD CS GR5 PL	6
3	044023	1/4-20 NYLOCK HEX NUT PL	5
4	920366	#16 CUSH CLAMP W/ 3/8 HOLE	1
5	046030	1/4-20 x 1 3/4 HEX HEAD CS GR5 PL	1
6	044021	1/4-20 KEPS HEX NUT PL	1
7	100474	1" CONDUIT CLAMP	1
8	102979	CORD GRIP 90° ELBOW LIQUID TIGHT	2
9	101672	1" INSULATING BUSHING	2
10	108451	16/8 NYCOIL AIRSTAR VERTICAL	1
11	103390	HOSE SELF-STORING	1
12	102977P	CORD GRIP BRACKET	1
13	102978P	NYCOIL CLAMP PLATE	1
14	105284	SCHEMATIC 4 LIGHT 16/8 JUNCTION BOX	1
15	106875	SCHEMATIC 4 LIGHT 16/8 CORD	1

3.3 - Vertical Light Bar Balloon Light Group

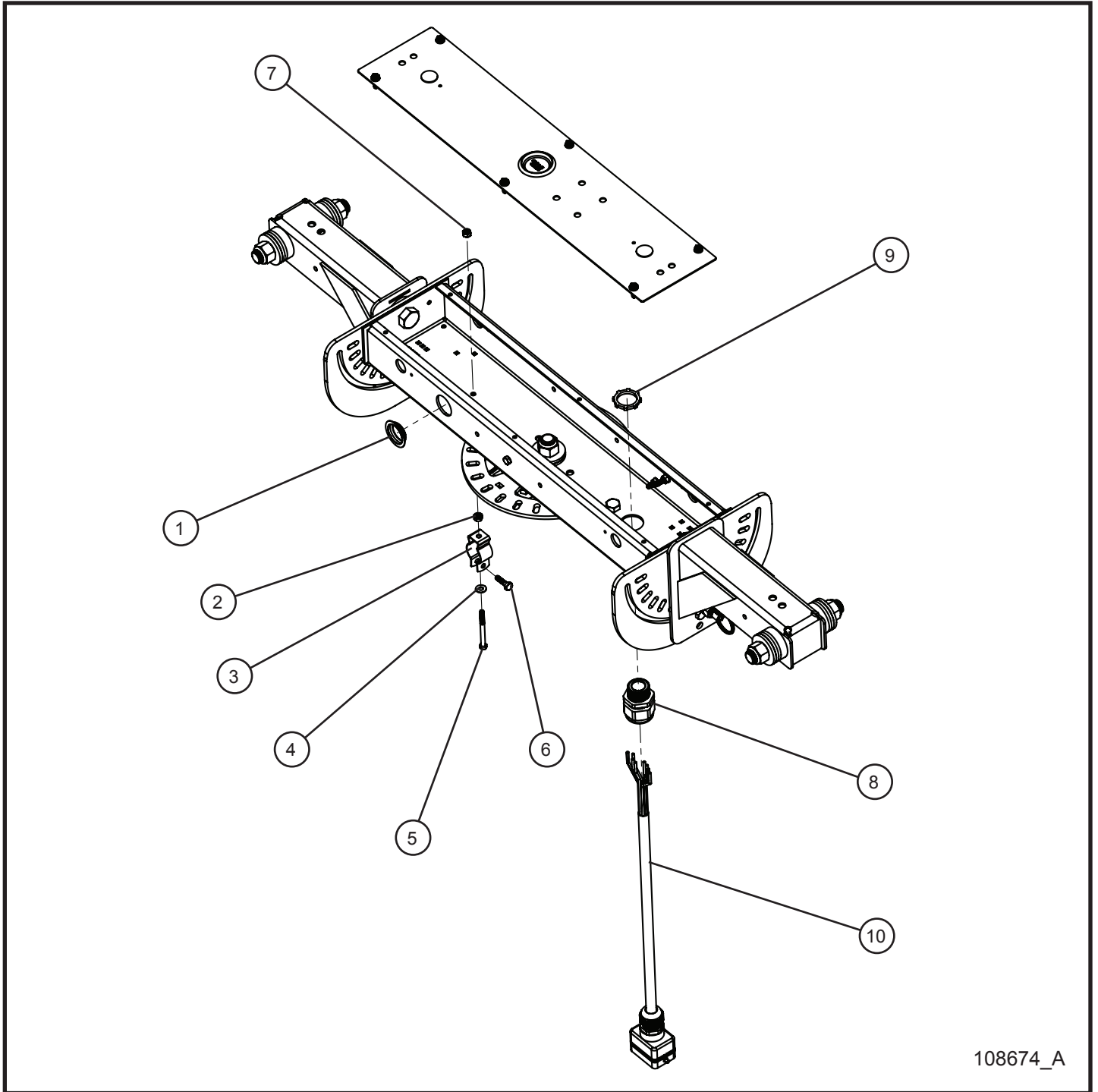


BALLOON LIGHT

3.3 - Vertical Light Bar Balloon Light Group

Item	Part No.	Part Description	Qty.
1	041070	1/4-20 x 3/4 SL-HEX WASHER HEAD MS TP F	6
2	650550	.785" x 2" HDPE WASHER	7
3	047035	3/4 FLAT WASHER PL	7
4	044058	3/4-10 NYLOCK HEX NUT PL	7
5	101813	.781 ID x 2 OD x 1/2 HDPE WASHER	4
6	100147	UHMW BEARING TWR ROTATION	1
7	100143P	ROTATION MOUNT	1
8	100148	SPRING LOCK 1/2-13 UNC x 1.4	3
9	046180	1/2-13 x 1 1/4 HEX HEAD CS GR5 PL	1
10	047019	NYLON BUSHING 3/4 OD x .385 ID	2
11	046126	3/8-16 x 1 3/4 HEX HEAD CS GR5 PL	4
12	044036	3/8-16 KEPS HEX NUT PL	4
13	680878	1 3/4 CAPPLUG	1
14	047015	3/8 FLAT WASHER PL	2
15	102361	ADJUSTABLE LEVER PUSH BUTTON	2
16	100104P	BRACKET LIGHT BAR	2
17	044045	1/2-13 HEX NUT PL	6
18	711029	7/8 LOCKING HOLE PLUG	2
19	046015	1/4-20 x 1 HEX HEAD CS GR5 PL	3
20	046050	1/4 INTL TOOTH LOCK WASHER	3
21	044021	1/4-20 KEPS HEX NUT PL	4
22	105716P	VERTICAL LIGHT BAR WELDMENT	1
23	105363P	BRACKET LAMP ROTATING INDEXING LIGHT BAR	2
24	104063P	COVER LIGHT BAR	1
25	108453P	CONDUIT BRACKET LIGHT BAR	1

3.4 - Vertical Light Bar Balloon Light Cord Group



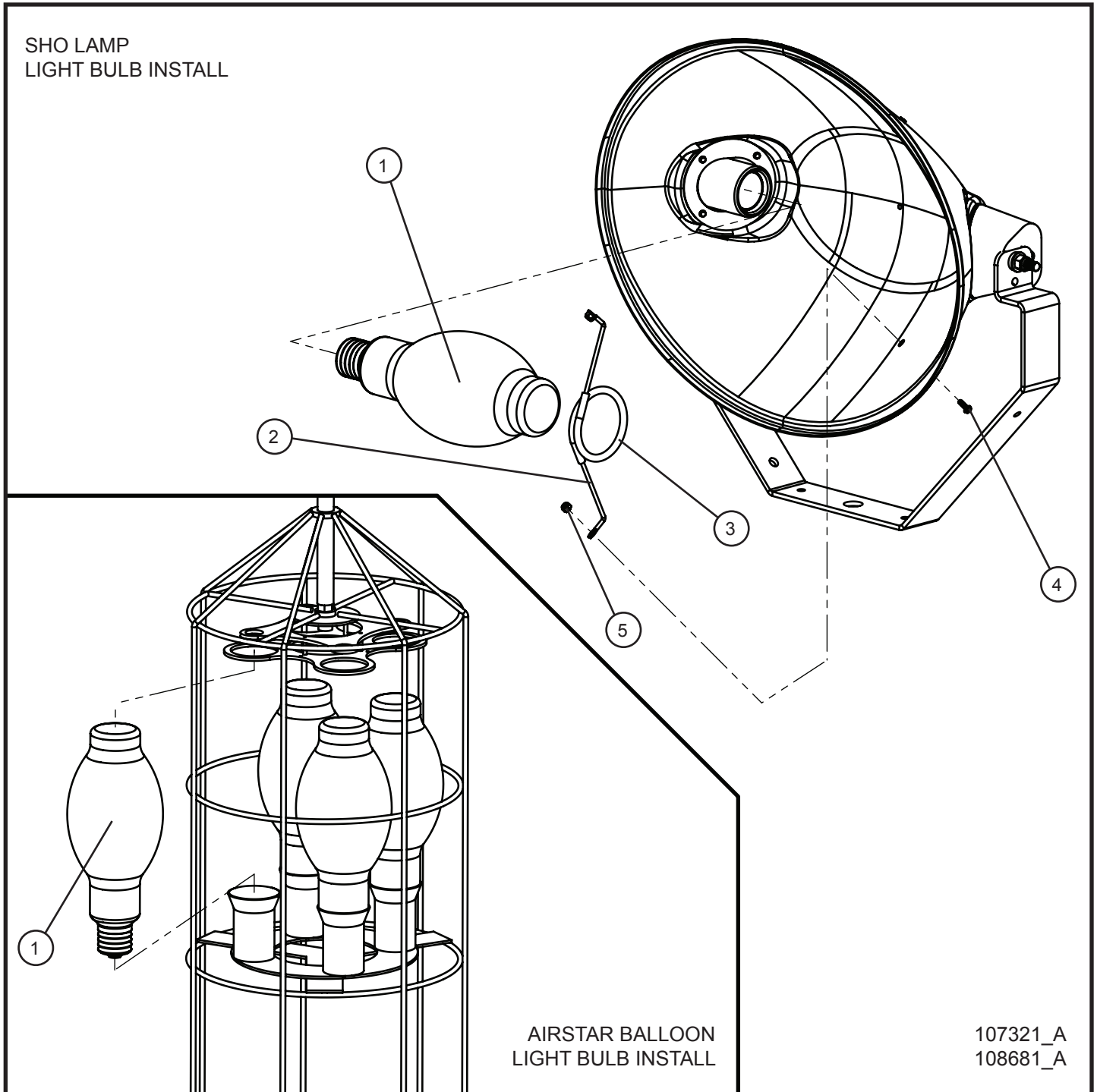
108674_A

BALLOON LIGHT

3.4 - Vertical Light Bar Balloon Light Cord Group

Item	Part No.	Part Description	Qty.
1	064040	1 3/8 CAP PLUG	1
2	044021	1/4-20 KEPS HEX NUT PL	1
3	100474	1" CONDUIT CLAMP	1
4	047009	1/4 FLAT WASHER SAE SS	1
5	046037	1/4-20 x 2 3/4 HEX HEAD CS GR5 PL	1
6	046015	1/4-20 x 1 HEX HEAD CS GR5 PL	1
7	044023	1/4-20 NYLOCK HEX NUT PL	1
8	105627	CORD GRIP 1" NYLON BLACK	1
9	022038	1" CORD GRIP NUT	1
10	108675	16/8 CORD LIGHT BAR	1
11	105292	SCHEMATIC LIGHT BAR 4 LIGHT 16/8 CORD	1

4.1 - 1250W Lamps with 60Hz 120V Ballast Boxes (1 of 3)

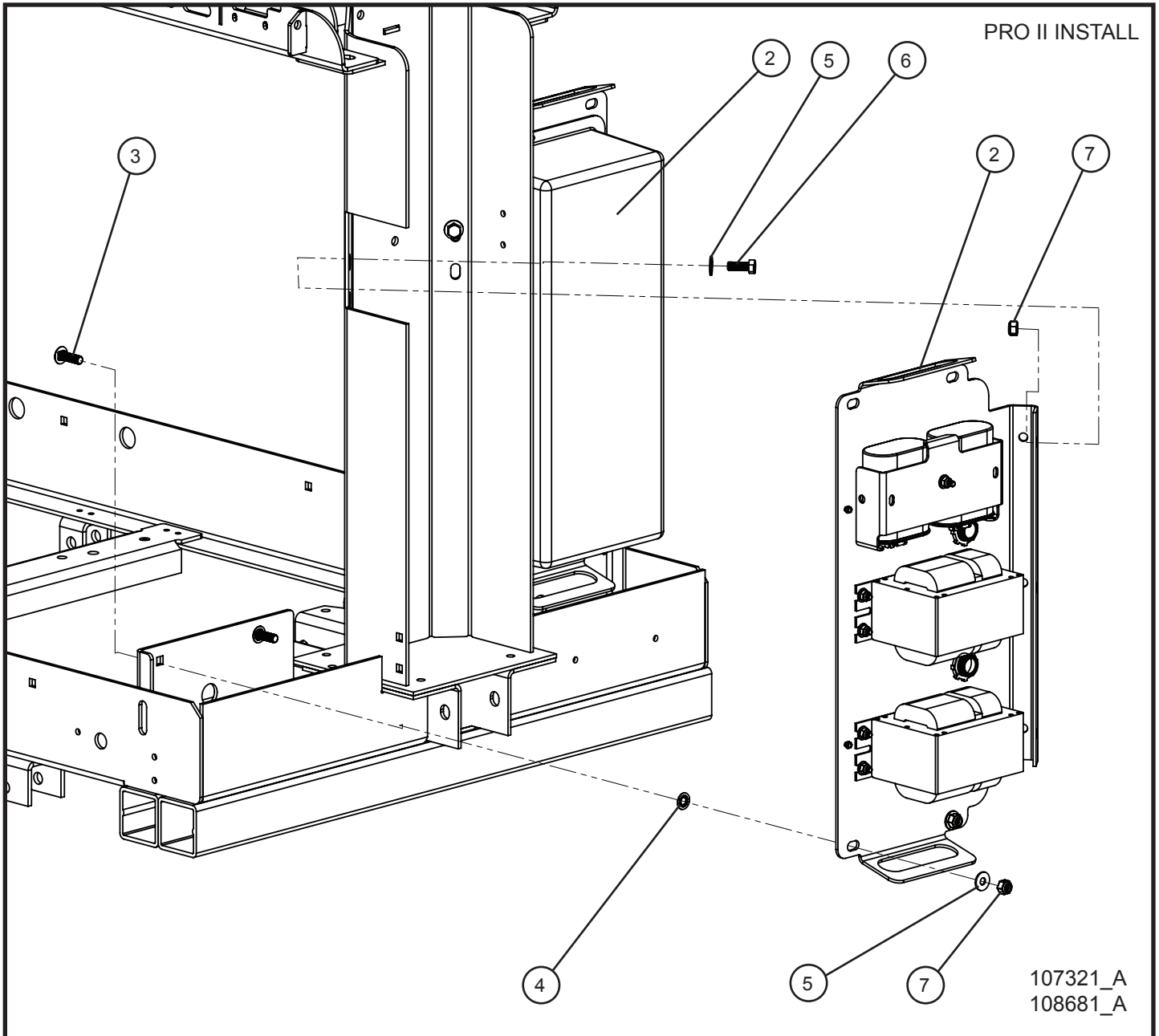


BALLOON LIGHT

4.1 - 1250W Lamps with 60Hz 120V Ballast Boxes (1 of 3)

Item	Part No.	Part Description	Qty.
1	610221	LAMP 1250W BT37 (MH)	4
2	610209	SUPPORT TIP LAMP SHO	4
3	610210	FIBERGLASS TUBE 12" LAMP SUPPORT	4
4	041200	#8-32 x 1/2 HEX WASHER HEAD INDT	8
5	044013	#8-32 NYLOCK HEX NUT SS	8

4.1 - 1250W Lamps with 60Hz 120V Ballast Boxes (2 of 3)

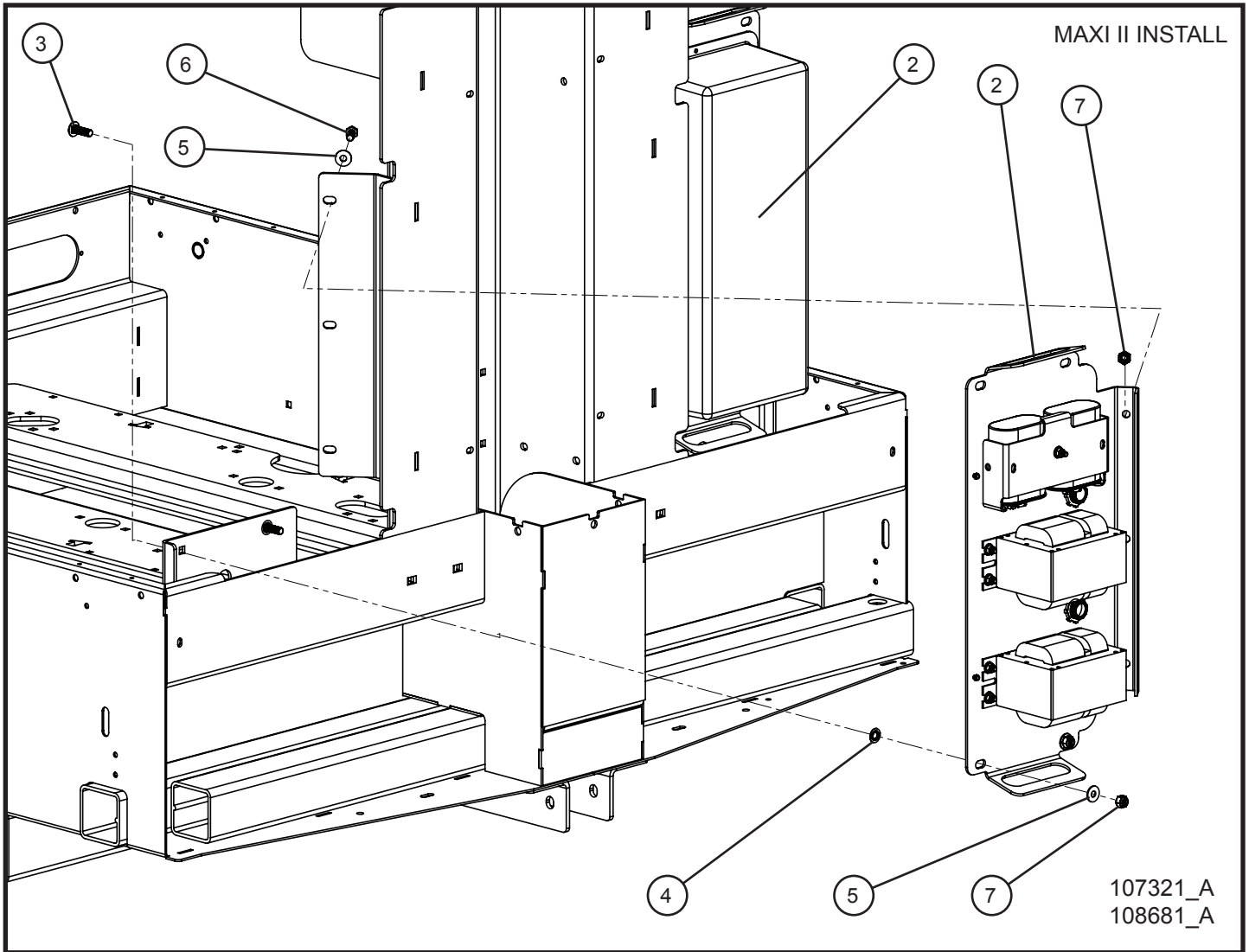


BALLOON LIGHT

4.1 - 1250W Lamps with 60Hz 120V Ballast Boxes (2 of 3)

Item	Part No.	Part Description	Qty.
1	103624	BALLAST CORD ASSEMBLY	4
2	104481	1250W-28uF 60Hz 120V BALLAST ASSEMBLY	2
3	100670	3/8-16 x 1 1/4 CARRIAGE BOLT	4
4	045218	3/8 PUSH NUT	4
5	047010	5/16 FLAT WASHER PL	6
6	046110	3/8-16 x 1 HEX HEAD CS GR5 PL	2
7	044038	3/8-16 NYLOCK HEX NUT PL	6
8	105286	SCHEMATIC BALLAST 1250W 60Hz 120V (NOT SHOWN)	1

4.1 - 1250W Lamps with 60Hz 120V Ballast Boxes (3 of 3)

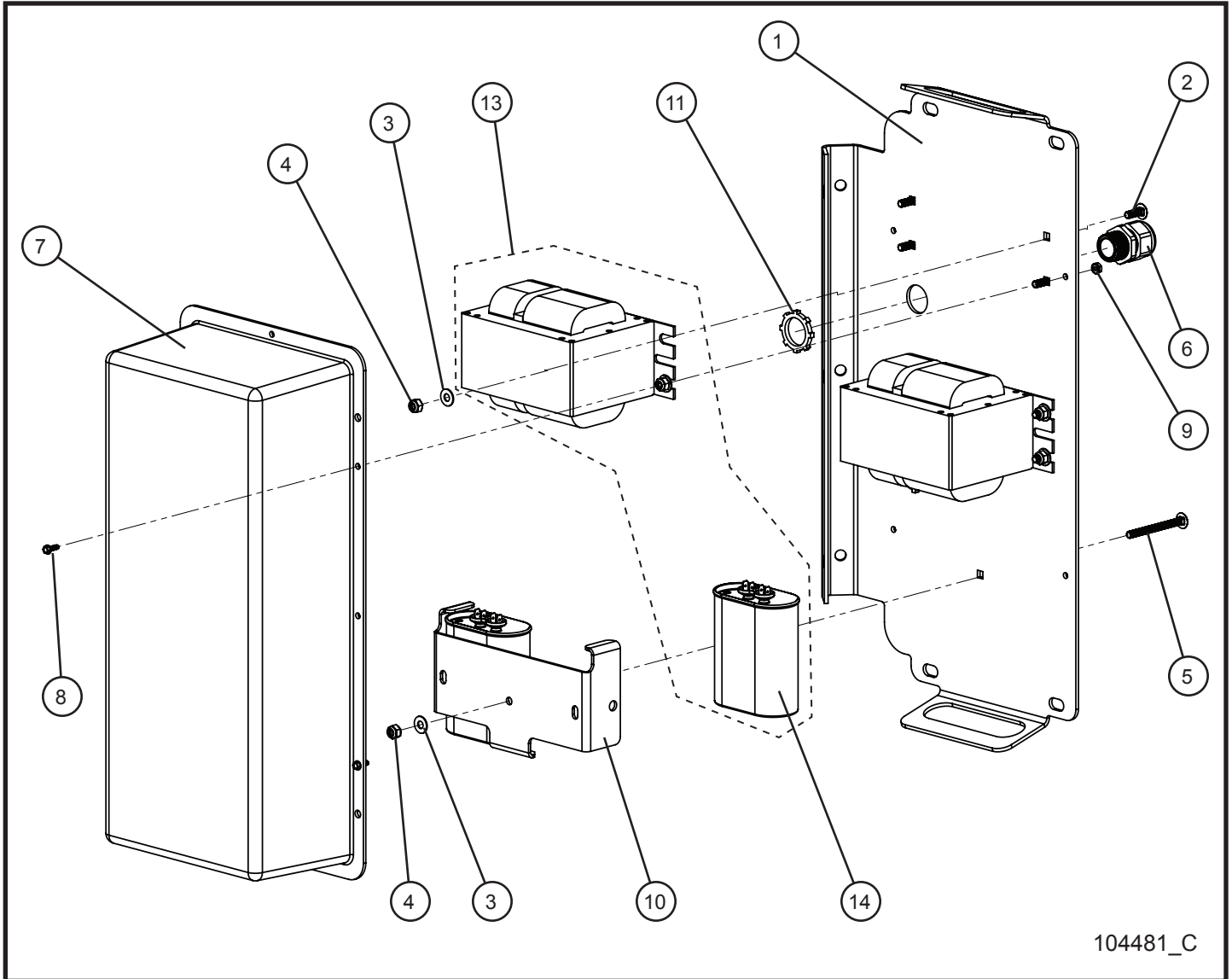


BALLOON LIGHT

4.1 - 1250W Lamps with 60Hz 120V Ballast Boxes (3 of 3)

Item	Part No.	Part Description	Qty.
1	103624	BALLAST CORD ASSEMBLY	4
2	104481	1250W-28uF 60Hz 120V BALLAST ASSEMBLY	2
3	100670	3/8-16 x 1 1/4 CARRIAGE BOLT	4
4	045218	3/8 PUSH NUT	4
5	047010	5/16 FLAT WASHER PL	6
6	046110	3/8-16 x 1 HEX HEAD CS GR5 PL	2
7	044038	3/8-16 NYLOCK HEX NUT PL	6
8	105286	SCHEMATIC BALLAST 1250W 60Hz 120V (NOT SHOWN)	1

4.2 - 1250W 60Hz 120V Ballast Box Assembly



104481_C

BALLOON LIGHT

4.2 - 1250W 60Hz 120V Ballast Box Assembly

Item	Part No.	Part Description	Qty.
1	105914P	MOUNT PLATE BALLAST BOX	1
2	053006	1/4-20 x 3/4 CARRIAGE BOLT	8
3	047009	1/4 FLAT WASHER SAE SS	9
4	044023	1/4-20 NYLOCK HEX NUT PL	9
5	100718	1/4-20 x 2 1/4 CARRIAGE BOLT	1
6	105916	GRIP CORD NYLON 3/4	2
7	102752	BALLAST TOP MODULAR BOX	1
8	041029	#8-32 x 1/2 HEX WASHER HEAD SCREW	4
9	044003	#8-32 NC KEPS NUT	4
10	100392P	TABBED CAPACITOR CLAMP	1
11	022036	3/4 CORD GRIP NUT	2
12	105286	SCHEMATIC BALLAST 1250W 60Hz 120V (NOT SHOWN)	1
13	109606	BALLAST KIT 1250W 60Hz 120/240V 28uF (INCLUDES 100329)	2
14	100329	CAPACITOR 28uF 1250W	2

5.1 - Balloon Light Decals

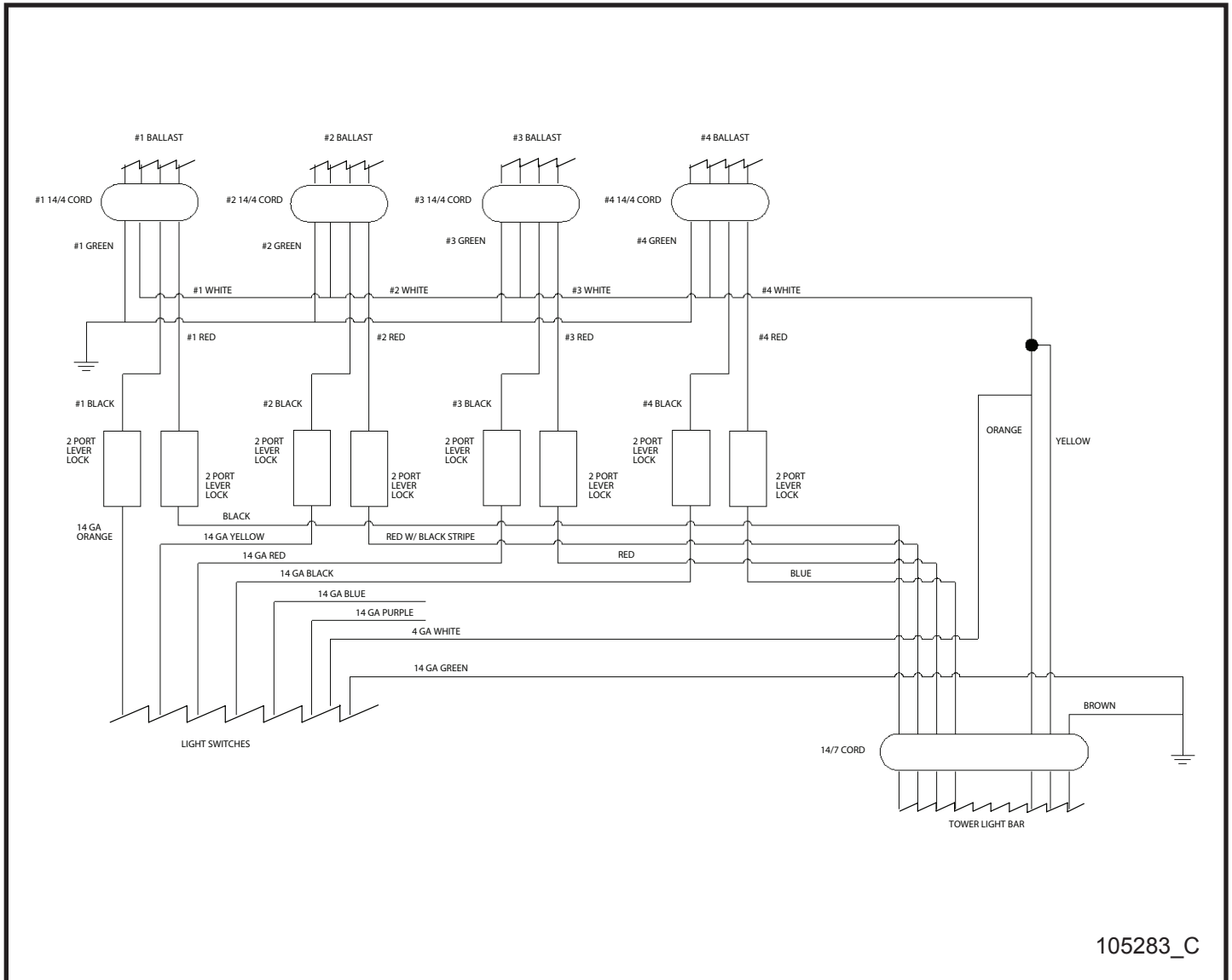
<div data-bbox="149 499 542 569"> <p>⚠ DANGER</p> </div> <div data-bbox="149 573 386 632"> <p>Entering electrical compartment while equipment is running will result in death or serious injury.</p> </div> <div data-bbox="149 642 386 686"> <p>Always shut down equipment before entering electrical compartment.</p> </div> <div data-bbox="402 577 532 688"> </div> <div data-bbox="149 709 542 772"> <p>⚠ WARNING</p> </div> <div data-bbox="149 777 386 835"> <p>Handling light fixtures when they are hot could result in death or serious injury.</p> </div> <div data-bbox="149 846 386 890"> <p>Always keep clear of light fixtures when illuminated or hot.</p> </div> <div data-bbox="402 781 532 892"> </div> <div data-bbox="506 898 542 913"> <p>107994</p> </div>	<table border="1"> <tr> <td data-bbox="662 499 1062 562"> <p>⚠ WARNING</p> </td> <td data-bbox="1073 499 1472 562"> <p>⚠ CAUTION</p> </td> </tr> <tr> <td data-bbox="695 569 841 688"> </td> <td data-bbox="906 569 1024 688"> </td> </tr> <tr> <td data-bbox="669 695 857 758"> <p>Failure to lock balloon light in upright position before machine operation could result in death or serious injury.</p> </td></tr></table>	<p>⚠ WARNING</p>	<p>⚠ CAUTION</p>			<p>Failure to lock balloon light in upright position before machine operation could result in death or serious injury.</p>
<p>⚠ WARNING</p>	<p>⚠ CAUTION</p>					
<p>Failure to lock balloon light in upright position before machine operation could result in death or serious injury.</p>						

BALLOON LIGHT

5.1 - Balloon Light Decals

Item	Part No.	Part Description	Qty.
1	107994	BALLOON LIGHT DANGER/WARNING DECAL	1
2	107988	VERTICAL TOWER BALLOON LIGHT WARNING/CAUTION DECAL	1

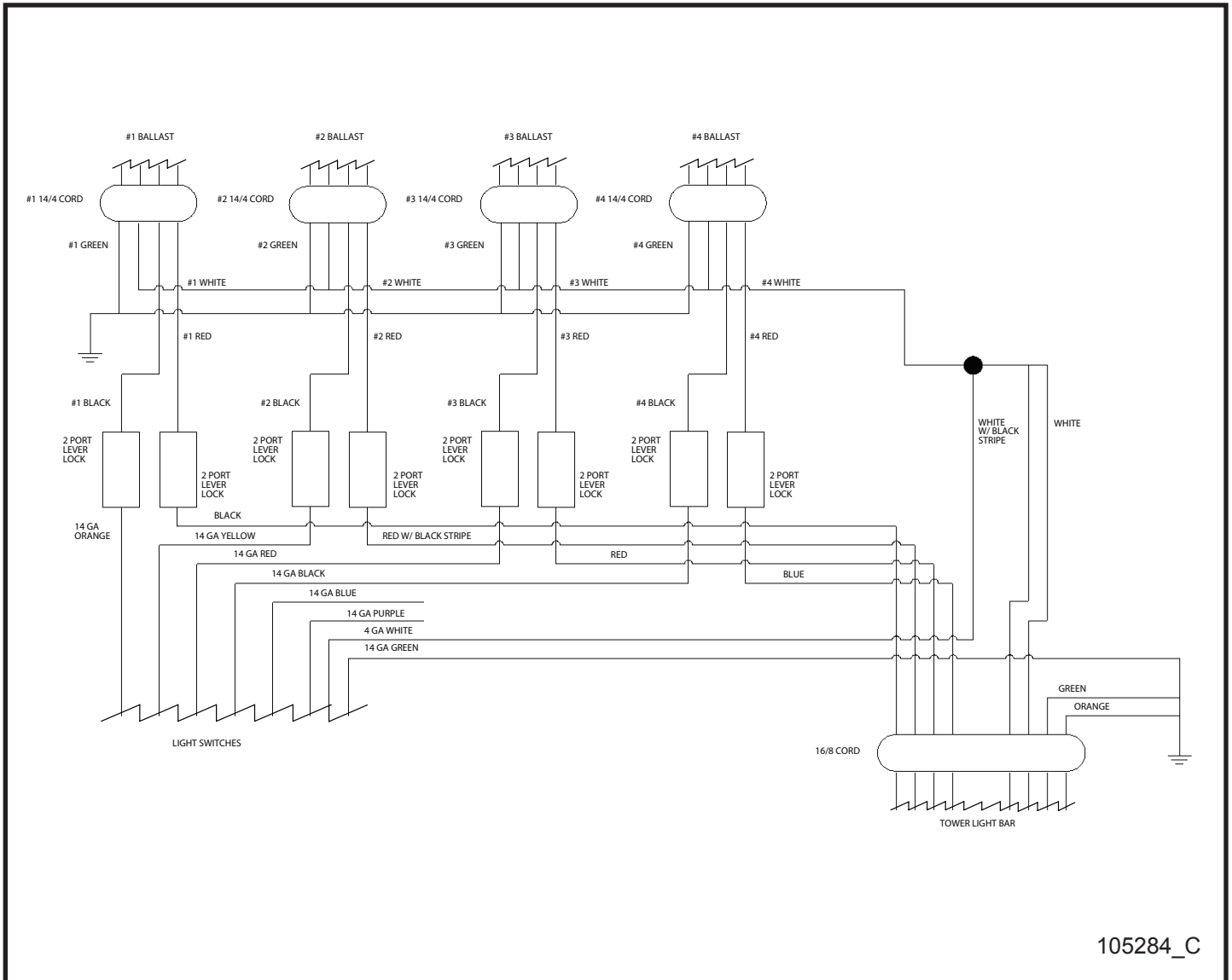
6.1 - 4 Light 14/7 Cord Junction Box Schematic



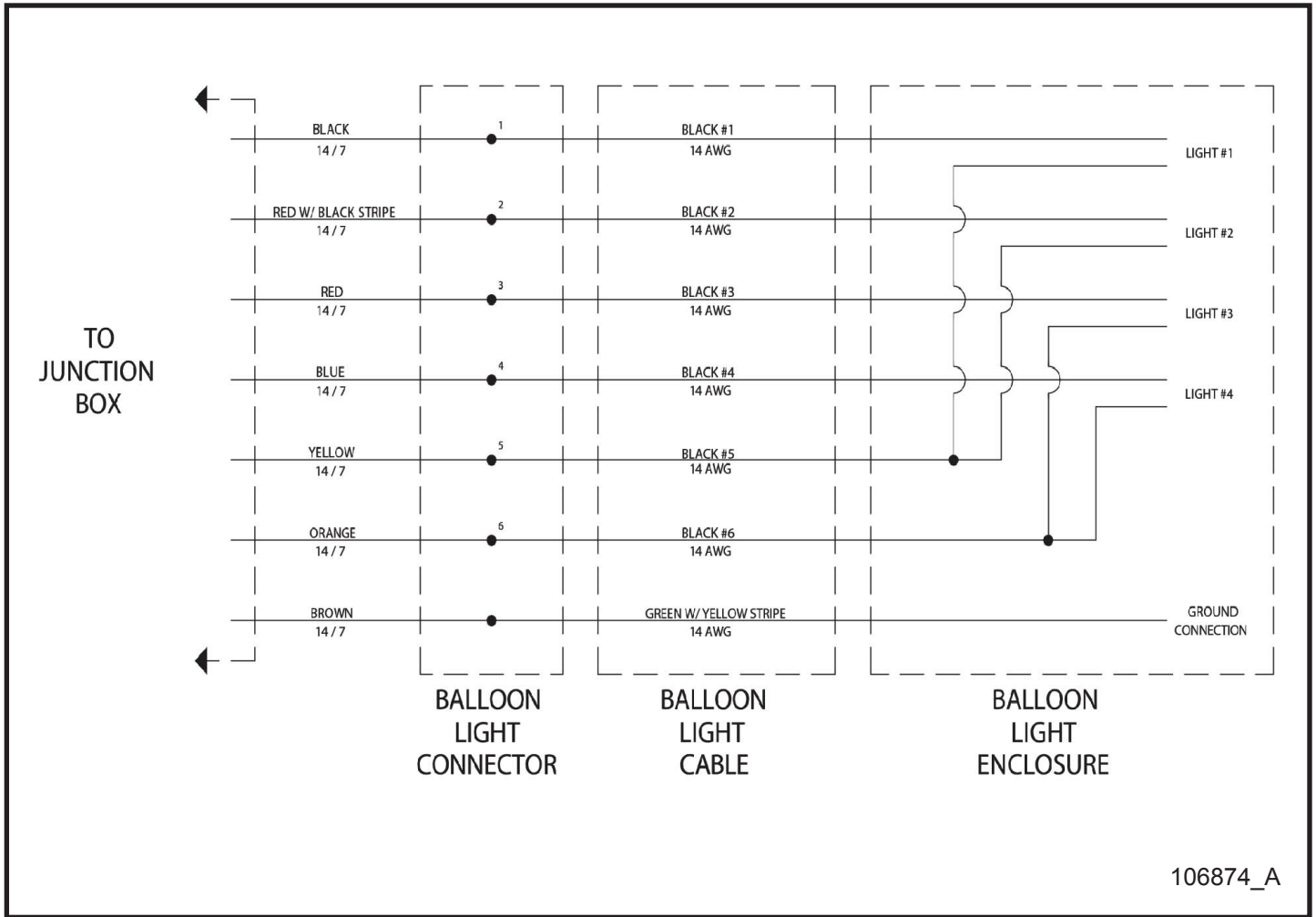
105283_C

BALLOON LIGHT

6.2 - 4 Light 16/8 Cord Junction Box Schematic

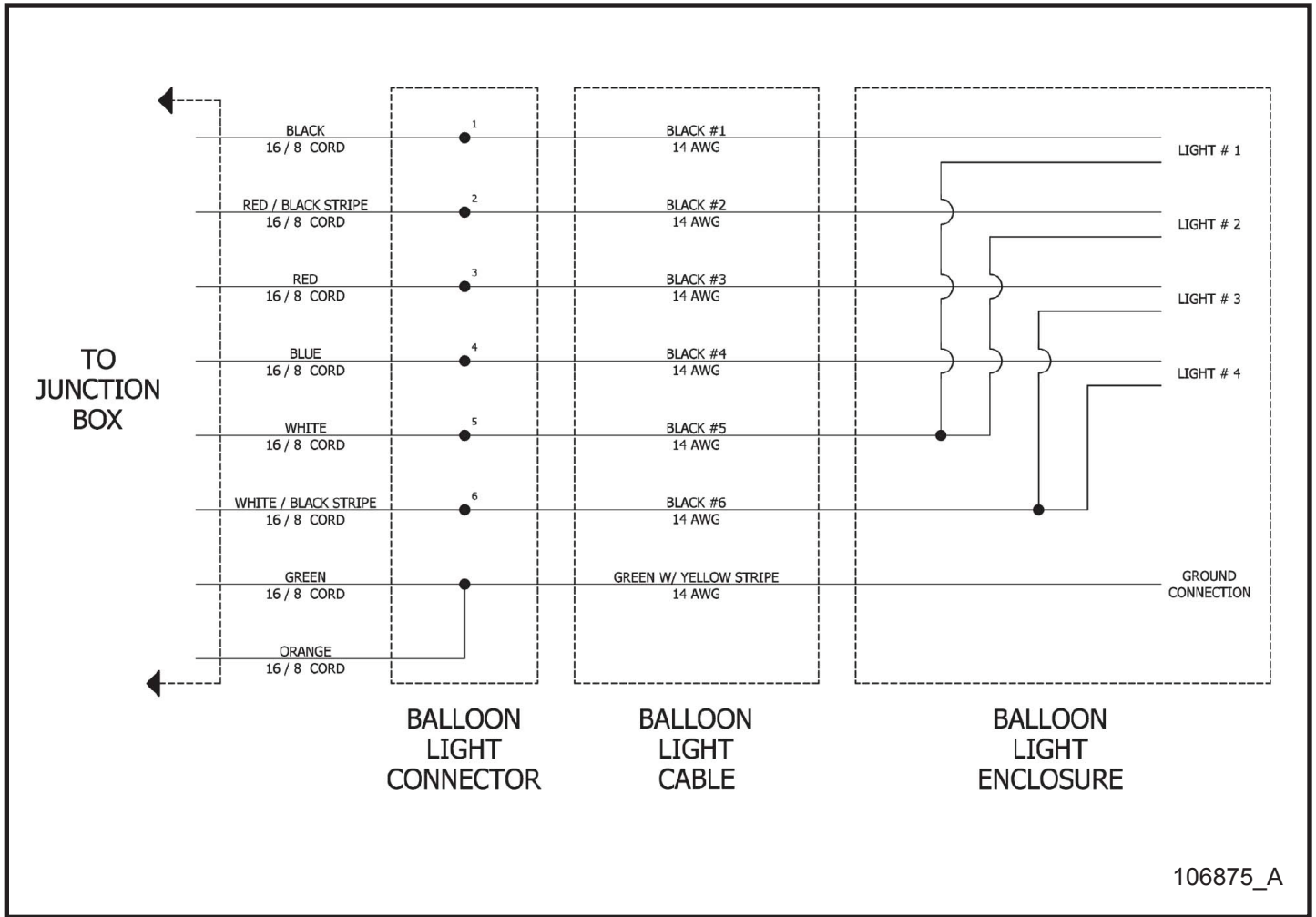


6.3 - 4 Light 14/7 Cord Schematic

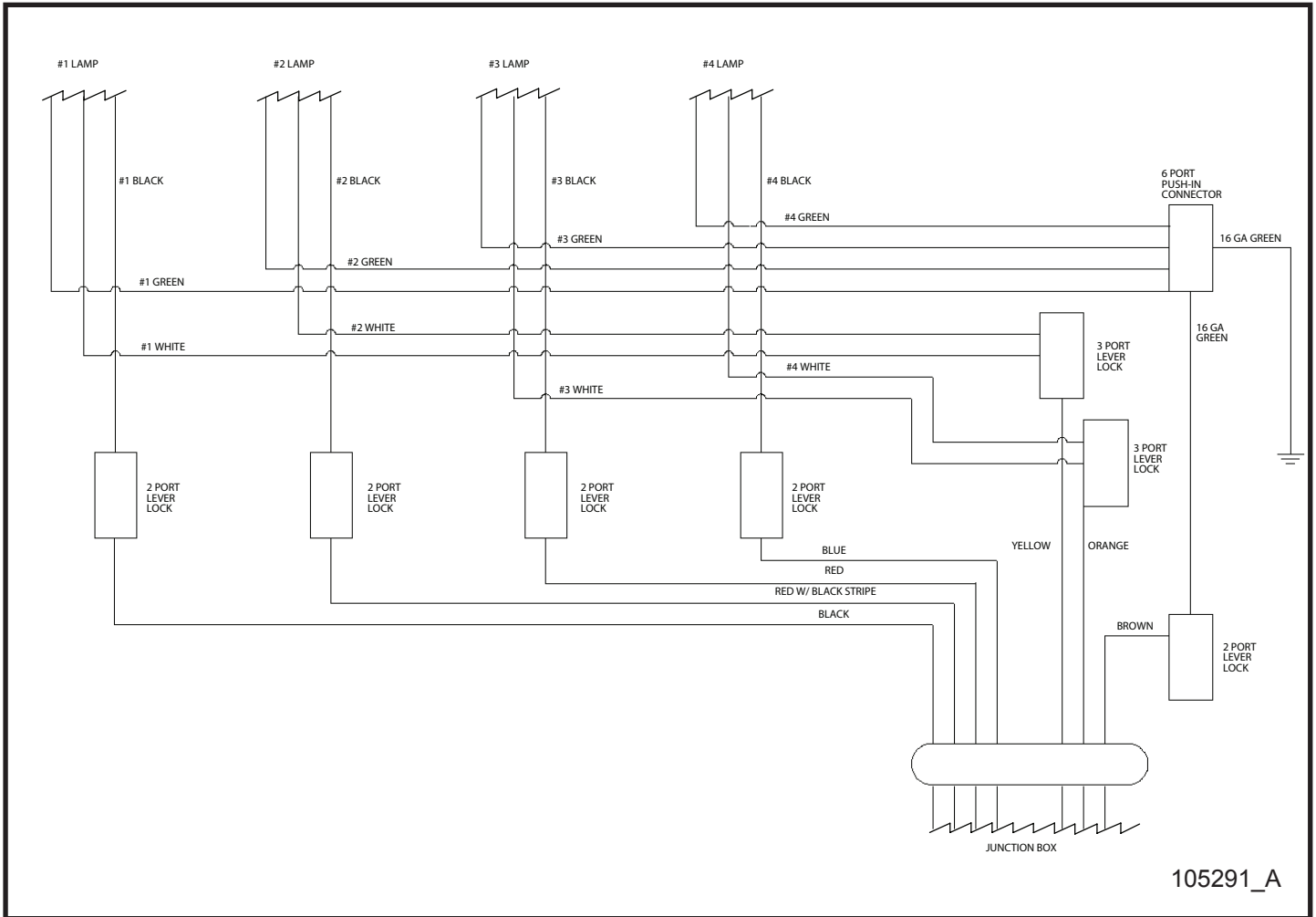


BALLOON LIGHT

6.4 - 4 Light 16/8 Cord Schematic

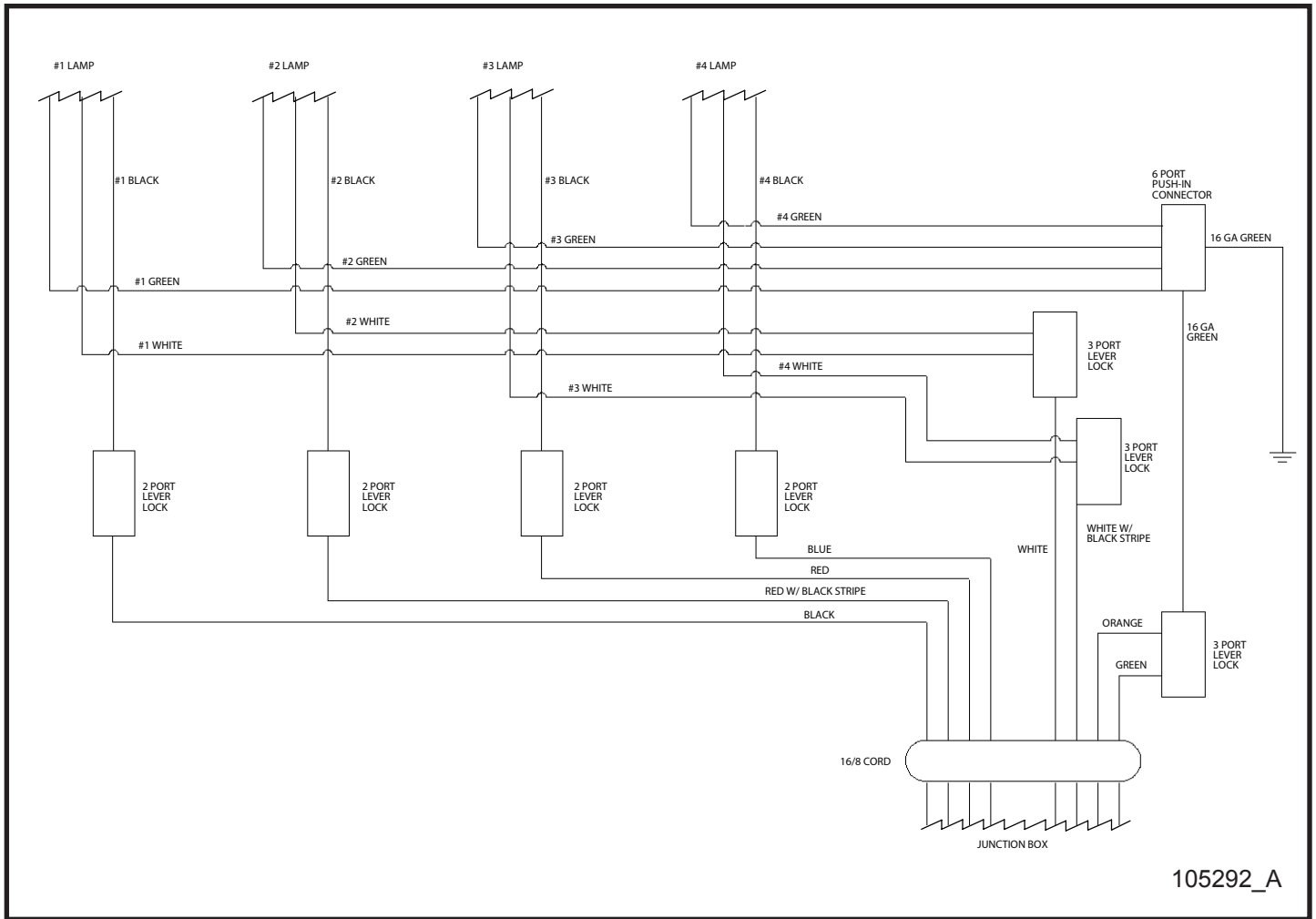


6.5 - 4 Light 14/7 Cord Light Bar Schematic

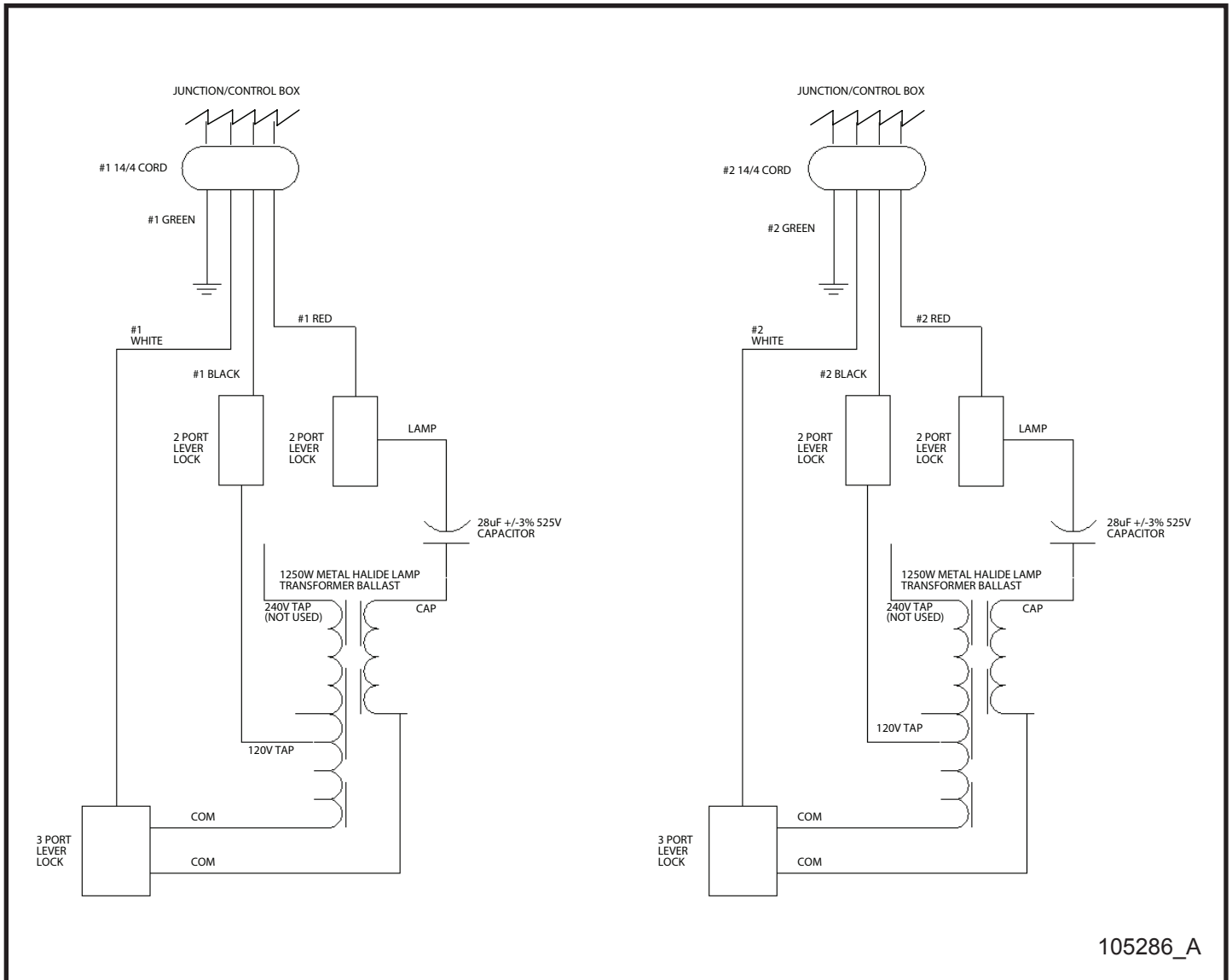


BALLOON LIGHT

6.6 - 4 Light 16/8 Cord Light Bar Schematic



6.7 - 1250W 60Hz 120V Ballast Schematic



105286_A

BALLOON LIGHT

PAGE LEFT BLANK
INTENTIONALLY

Allmand™

BRIGHTER. WARMER. SAFER.

Allmand Bros., Inc.
1502 West 4th Avenue
Holdrege, NE 68949
phone: (308) 995-4495 • toll free: (800) 562-1373
fax: (308) 995-5887

www.allmand.com



Reliability, performance, and integrity since 1938

13-0267