

Allmand™

Brighter. Warmer. Safer.

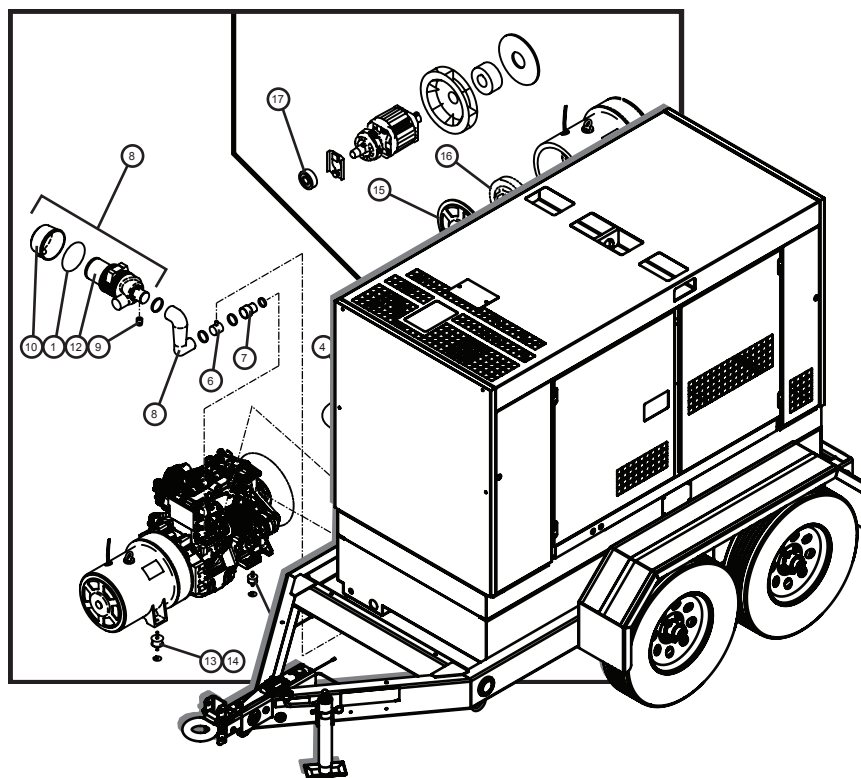
**Portable
Industrial
Heaters**

**Portable
Light Towers**

**Portable
Light Stands**

**Solar Flashing
Arrow Boards**

(en) **Parts Manual
MAXI-POWER® 40**



Copyright © 2017 Allmand Bros., Inc.
Holdrege, NE, USA. All rights reserved.

Part No.: 112161
Revision: A
Serial No.: 22-000001 and UP

LIGHT TOWER APP



Reliability, Performance, and Integrity Since 1938

www.allmand.com

TABLE OF CONTENTS

1.0 TRAILER PARTS GROUP

Trailer Axle, Jack, and Coupler	(1.1)
Trailer Base Parts	(1.2)
Step Plate	(1.3)

2.0 ENGINE AND COMPRESSOR GROUP

Engine Cooling and Exhaust Group	(2.1)
Generator and Engine Air Intake Group	(2.2)
Fuel Tank and Filters Group	(2.3)

3.0 ELECTRICAL GROUP

Control Box Electrical Group	(3.1)
Outlet Panel and Engine Electrical Group	(3.2)
Tail Lights and Tail Light Harness	(3.3)
Cam Lock Group	(3.4)
Arctic Package	(3.5)

4.0 DECALS

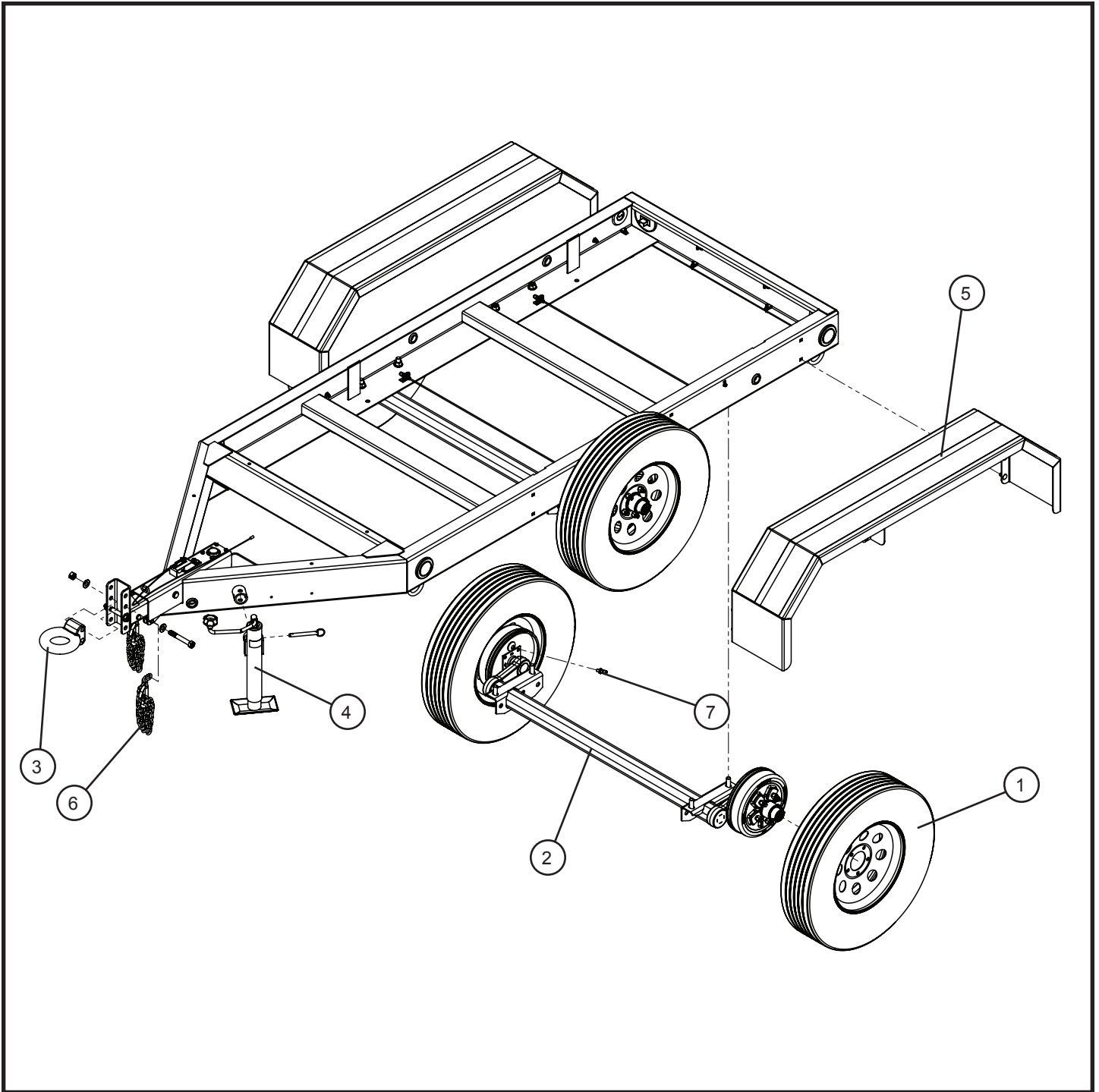
Left and Front Side Branding Decals	(4.1)
Right and Rear Side Branding Decals	(4.2)
Cam Lock and Arctic Package Decals	(4.3)

Maxi-Power 40

PAGE LEFT BLANK
INTENTIONALLY

1.1 - Trailer Axle, Jack, and Coupler

SN 22-000001 and UP



Maxi-Power 40

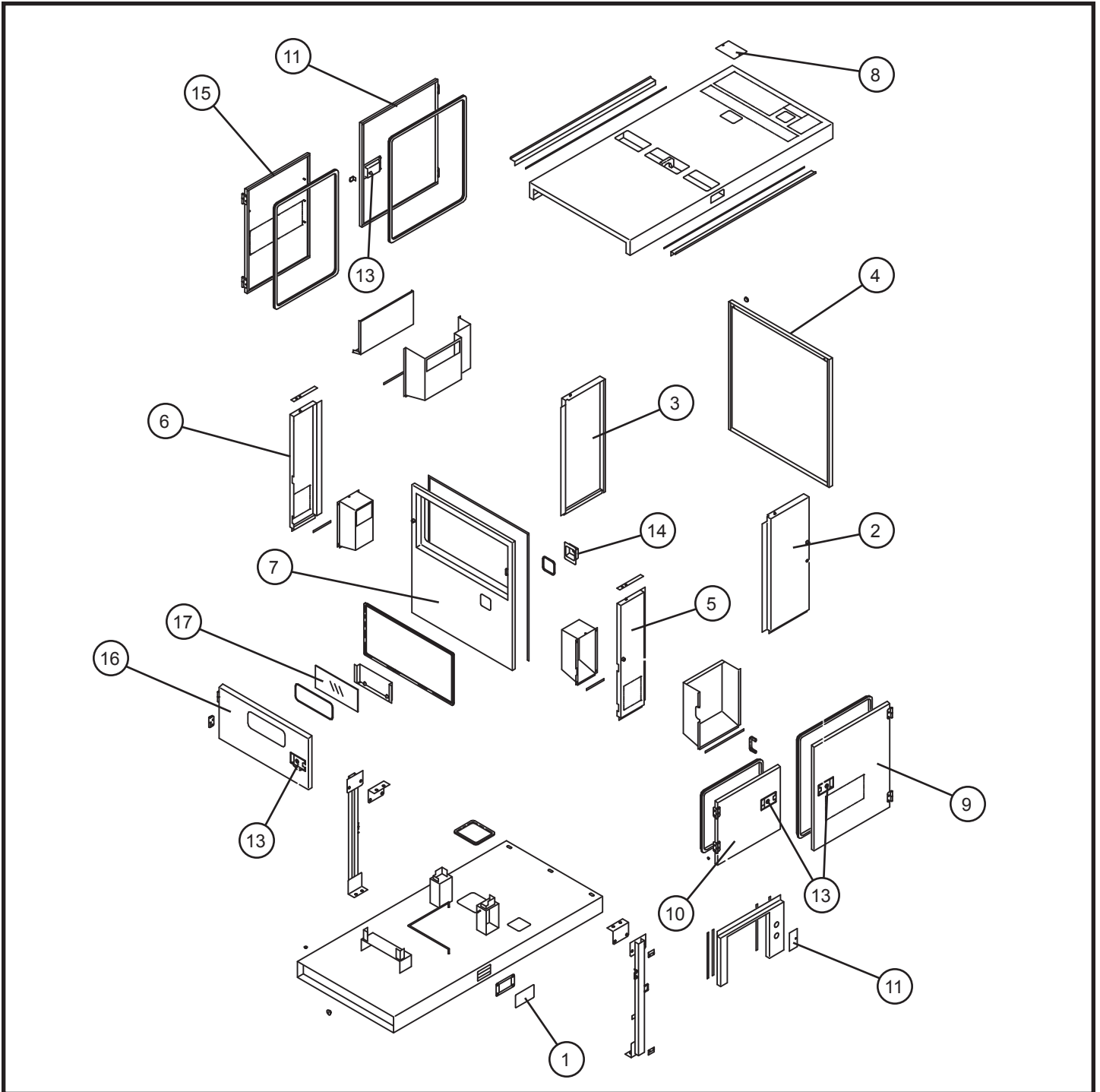
1.1 - Trailer Axle, Jack, and Coupler

SN 22-000001 and UP

Item	Allmand No.	Hokuetsu No.	Part Description	Qty.
1	113444	n/a	WHEEL W/ TIRE ASSEMBLY, 2150 LB CAPACITY	4
2	113447	n/a	3.5K TORSION AXLE (INCLUDES HARDWARE)	2
3	113449	n/a	3" CHANNEL MOUNT TOW RING	1
4	113450	n/a	TUBE MOUNT 3K TOP WIND JACK	1
5	113456	n/a	MP 40/45/65 FENDER (INCLUDES HARDWARE AND GRIP TAPE)	2
	113459	n/a	MP 40/45/65 FENDER GRIP TAPE KIT	2
6	113463	n/a	MP 40/45/65 SAFETY TOW CHAINS	2
7	113466	n/a	MP 40/45/65 RUBBER BRAKE HOSE W/ END FITTINGS (NOT COMPLETELY SHOWN)	1
NS	113461	n/a	MASTER CYLINDER BRAKE ACTUATOR	1
NS	113482	n/a	MP 40/45/65 STEEL BRAKE LINE KIT	1

1.2 - Trailer Base Parts

SN 22-000001 and UP



Maxi-Power 40

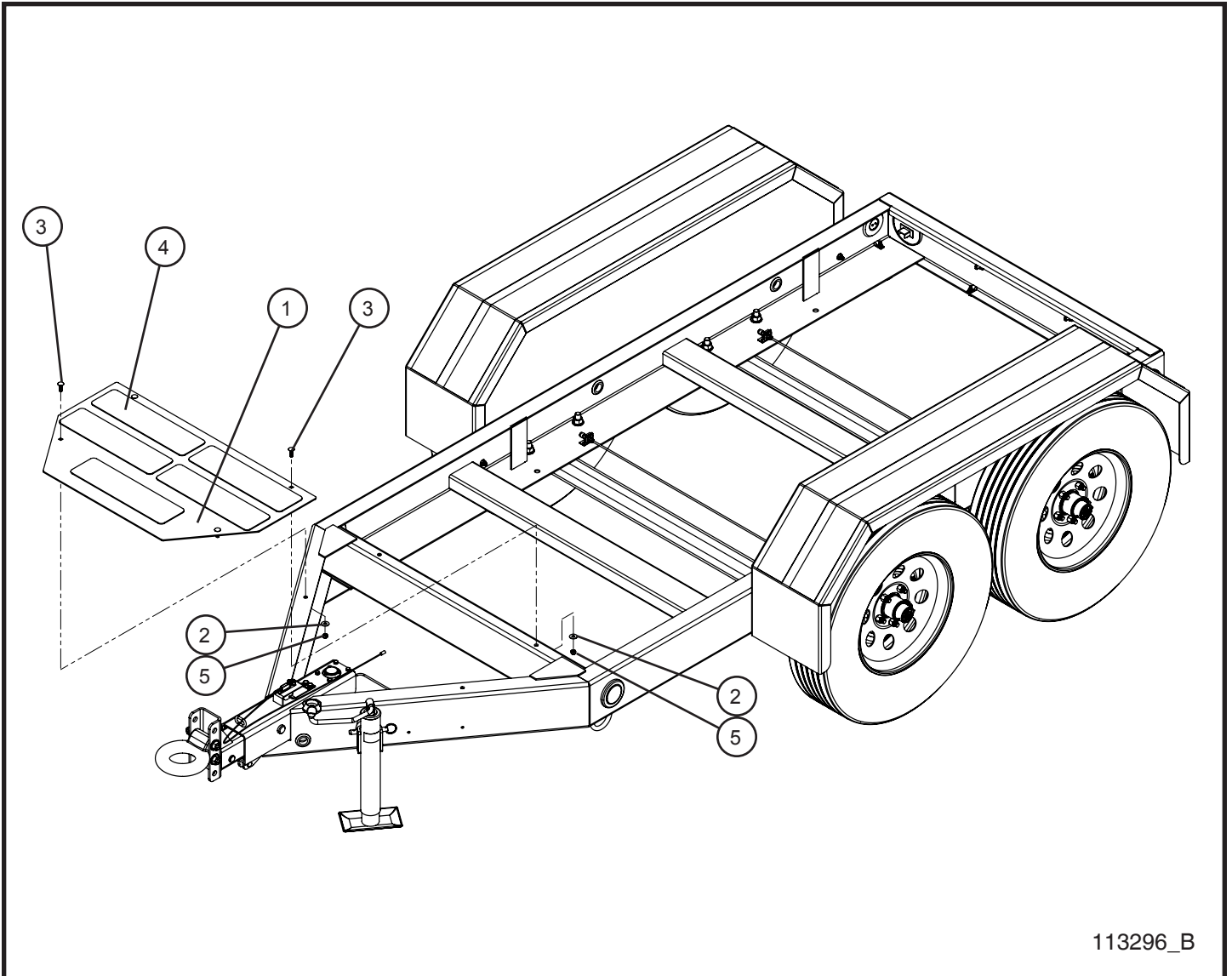
1.2 - Trailer Base Parts

SN 22-000001 and UP

Item	Allmand No.	Hokuetsu No.	Part Description	Qty.
1	110710	52350 44421	LOWER RIGHT SIDE COVER	1
2	110711	52100 94621	RIGHT SIDE FRONT COVER MAXI-POWER 40	1
3	110721	52100 94720	LEFT SIDE FRONT COVER MAXI-POWER 40	1
4	110720	52830 41100	FRONT COVER MAXI-POWER 40/45/65	1
5	110659	52100 94522	RIGHT SIDE REAR COVER MAXI-POWER 40	1
6	110925	52100 94422	LEFT SIDE REAR COVER MAXI-POWER 40	1
7	110966	52100 87250	REAR COVER MAXI-POWER	1
8	110472	52350 89010	TOP FRONT COVER	1
9	110967	52450 27130	RIGHT SIDE FRONT DOOR MAXI-POWER 40	1
10	110980	52450 11531	RIGHT SIDE REAR DOOR MAXI-POWER 40	1
11	110538	52350 41920	COVER	1
12	110553	52450 11631	LEFT SIDE FRONT DOOR MAXI-POWER 40/45	1
13	110499	52710 03601	DOOR LATCH ASSEMBLY	4
14	110681	52230 44800	EMERGENCY STOP COVER	1
15	110603	52450 04832	LEFT SIDE REAR DOOR MAXI-POWER 40/45/65	1
16	110725	52450 04930	REAR DOOR MAXI-POWER 40/45/65	1
17	110693	52416 19800	REAR DOOR WINDOW MAXI-POWER 40/45/65	1

1.3 - Step Plate

SN 22-000001 and UP



113296_B

Maxi-Power 40

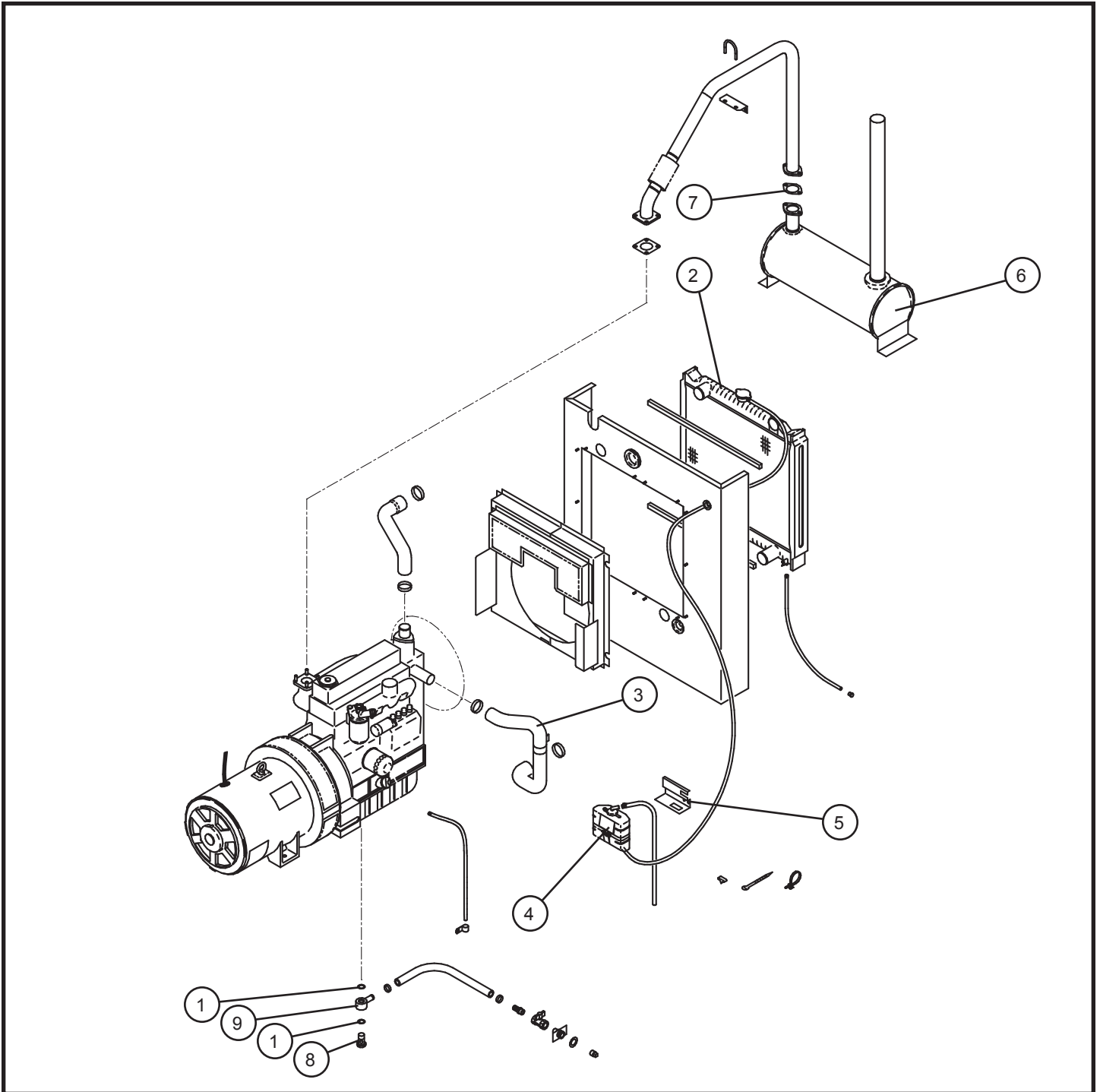
1.3 - Step Plate

SN 22-000001 and UP

Item	Allmand No.	Hokuetsu No.	Part Description	Qty.
1	113257P	n/a	STEP PLATE MAXI-POWER 40-65	1
2	047010	n/a	5/16 FLAT WASHER	4
3	053020	n/a	5/16-18 x 1 CARRIAGE BOLT	4
4	062006	n/a	DIE CUT ANTI SKID TAPE	5
5	044033	n/a	5/16-18 NYLOCK HEX NUT	4

2.1 - Engine Cooling and Exhaust Group

SN 22-000001 and UP



Maxi-Power 40

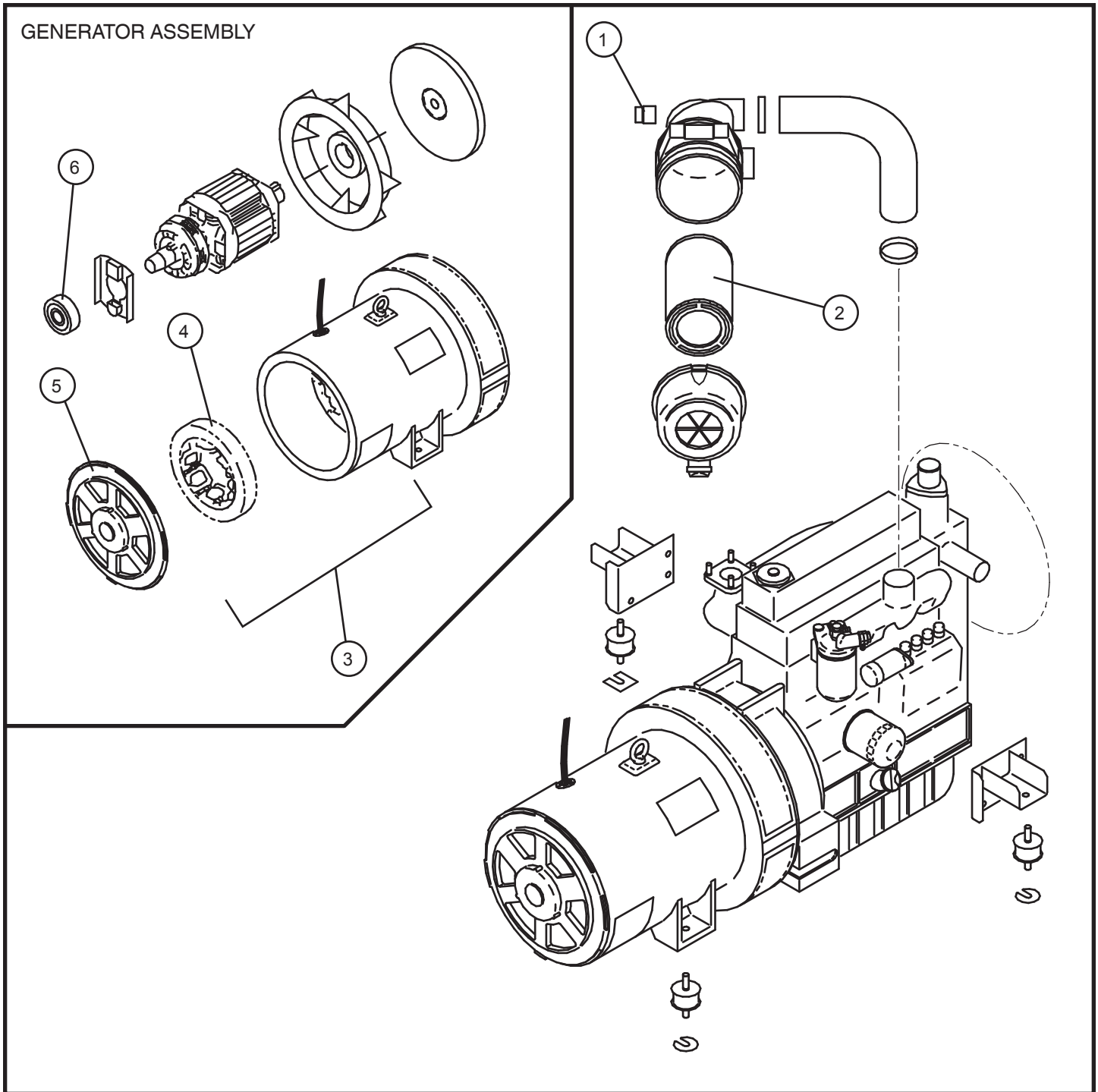
2.1 - Engine Cooling and Exhaust Group

SN 22-000001 and UP

Item	Allmand No.	Hokuetsu No.	Part Description	Qty.
1	110522	03407 16024	GASKET	2
2	111697	38100 40400	RADIATOR	1
3	111696	38524 68000	HOSE	1
4	110516	38590 01200	RESERVE TANK ASSEMBLY	1
5	110518	38591 01000	BRACKET	1
6	111695	42100 79400	EXHAUST MUFFLER	1
7	110719	42324 13600	GASKET	1
8	111693	43532 09400	NIPPLE (BOLT)	1
9	110702	43534 02102	RING CONNECTOR	1

2.2 - Generator and Engine Air Intake Group

SN 22-000001 and UP



Maxi-Power 40

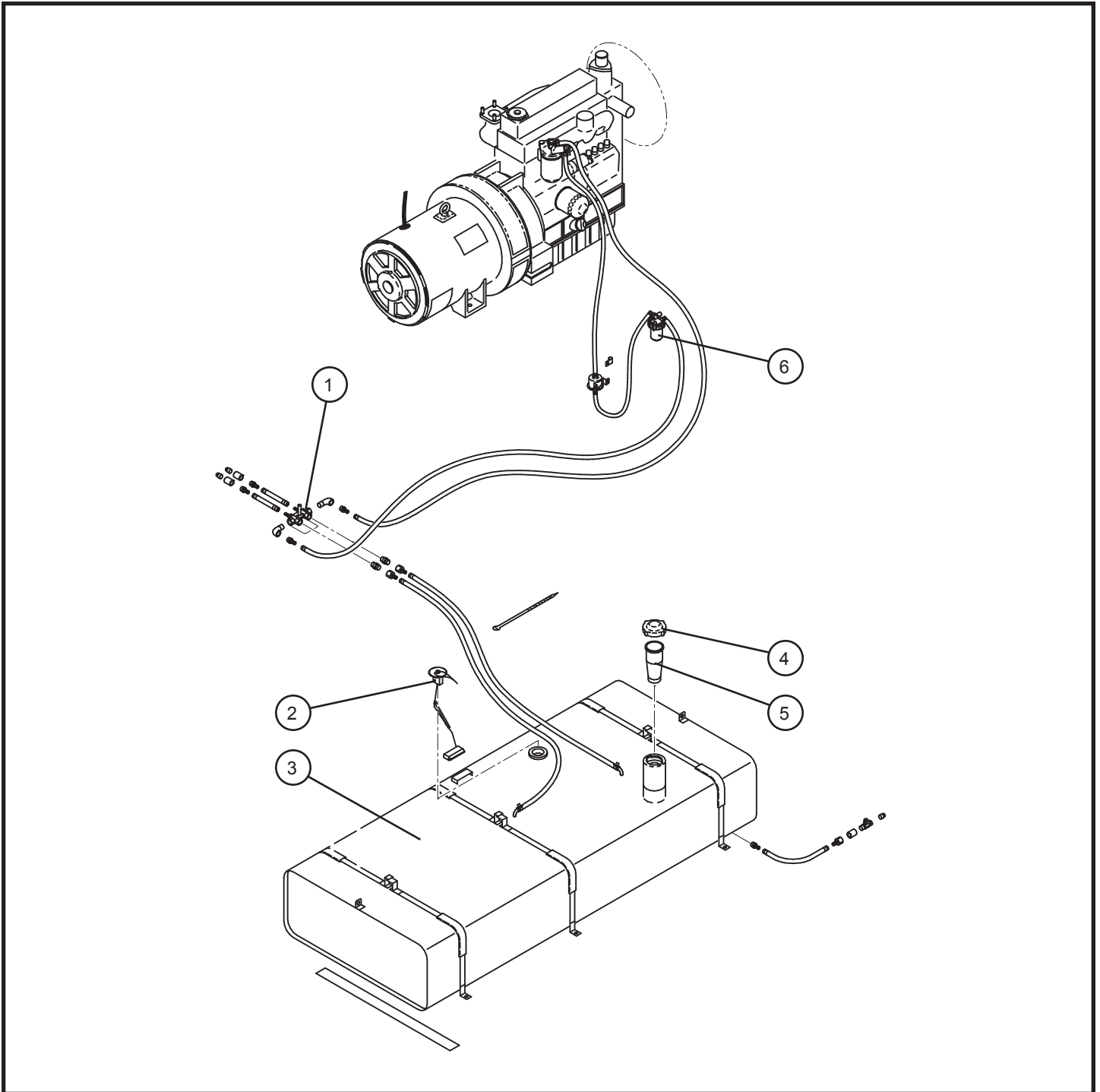
2.2 - Generator and Engine Air Intake Group

SN 22-000001 and UP

Item	Allmand No.	Hokuetsu No.	Part Description	Qty.
1	110740	32148 03000	FILTER, SERVICE INDICATOR	1
2	110634	32143 11700	AIR FILTER ELEMENT	1
3	111700	25200 11100	MAXI-POWER 40 A.C.G. STATOR ASSEMBLY	1
4	110730	25700 07600	MAXI-POWER 40/45 EX. STATOR ASSEMBLY	1
5	110724	25310 09600	MAXI-POWER 40/45 CASING	1
6	110722	21472 15700	MAXI-POWER 40/45 BEARING (6308ZZ)	1

2.3 - Fuel Tank and Filters Group

SN 22-000001 and UP



Maxi-Power 40

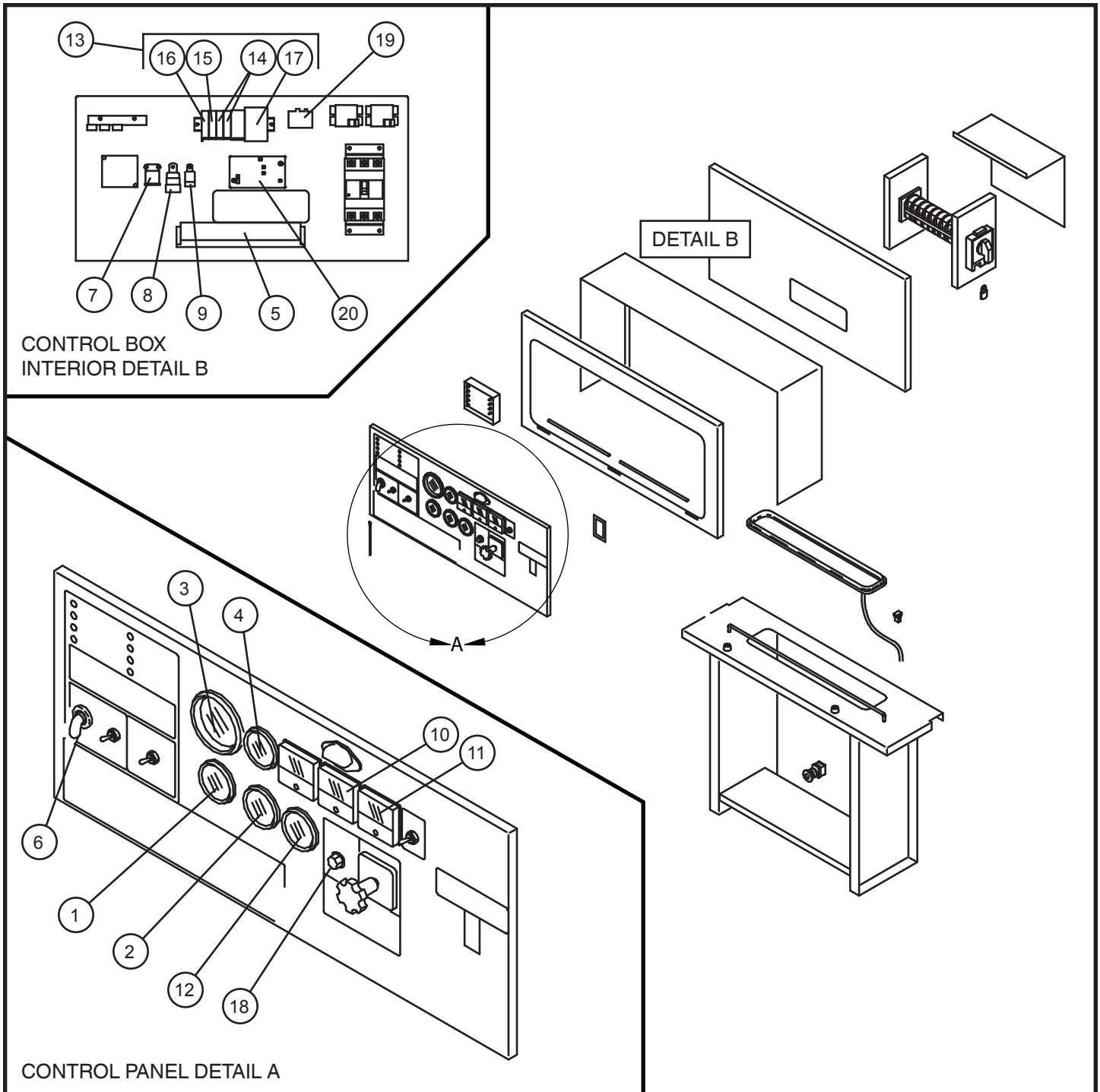
2.3 - Fuel Tank and Filters Group

SN 22-000001 and UP

Item	Allmand No.	Hokuetsu No.	Part Description	Qty.
1	110968	35483 10101	STOP VALVE	1
2	110688	36159 03000	SENDING UNIT	1
3	111691	43100 70102	FUEL TANK	1
4	110496	43220 01300	CAP	1
5	110958	43210 01301	STRAINER	1
6	111690	43550 03100	SEDIMENTER	1

3.1 - Control Box Electrical Group

SN 22-000001 and UP



Maxi-Power 40

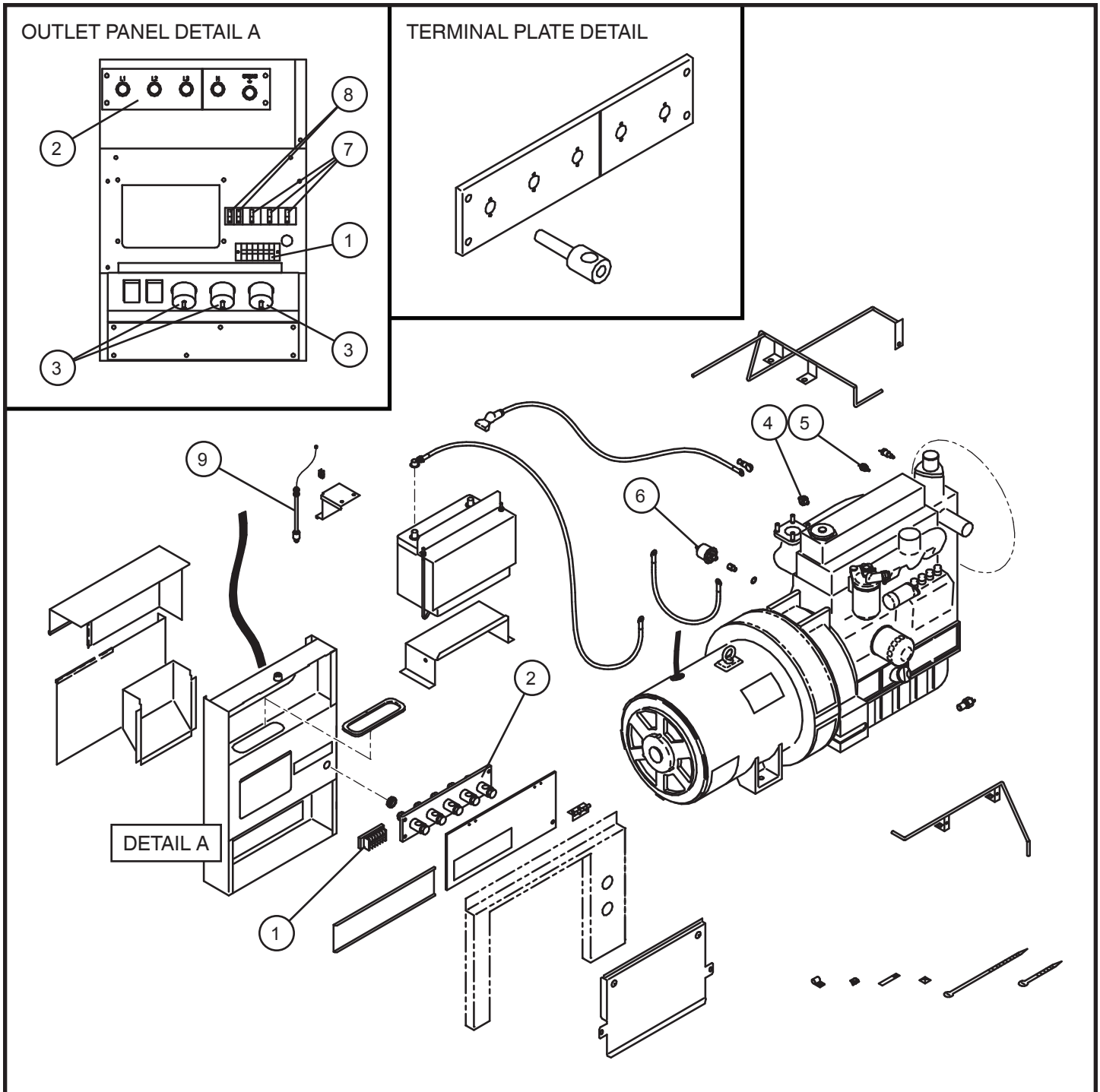
3.1 - Control Box Electrical Group

SN 22-000001 and UP

Item	Allmand No.	Hokuetsu No.	Part Description	Qty.
1	110485	36143 03600	GAUGE, OIL PRESSURE	1
2	110940	36145 06500	THERMOMETER, WATER	1
3	111688	36146 08800	TACHOMETER	1
4	110483	36158 00500	FUEL GAUGE	1
5	111687	44311 51300	TERMINAL PLATE	1
6	111685	44322 07200	STARTER SWITCH	1
7	110473	44346 13200	RELAY (MAIN)	1
8	111683	44346 15200	RELAY (GLOW)	1
9	111682	44346 15300	RELAY (STARTER)	1
10	110443	46153 04000	VOLTMETER (AC)	1
11	110644	46154 14500	AMMETER (AC)	1
12	110942	46154 15300	AMMETER	1
13	111679	46760 46211	CONTROL PANEL	1
14	110461	46177 08300	RELAY	2
15	110460	46177 08400	RELAY	1
16	110459	46177 08500	RELAY	1
17	111677	46879 45800	CONTROLLER COMPLETE	1
18	110541	46870 47901	CONTROLLER	1
19	110682	46928 01500	THERMAL RELAY	1
20	110679	46950 02600	A.V.R. ASSEMBLY	1
NS	110515	02201 08020	FLANGE BOLT	8

3.2 - Outlet Panel and Engine Electrical Group

SN 22-00001 and UP



Maxi-Power 40

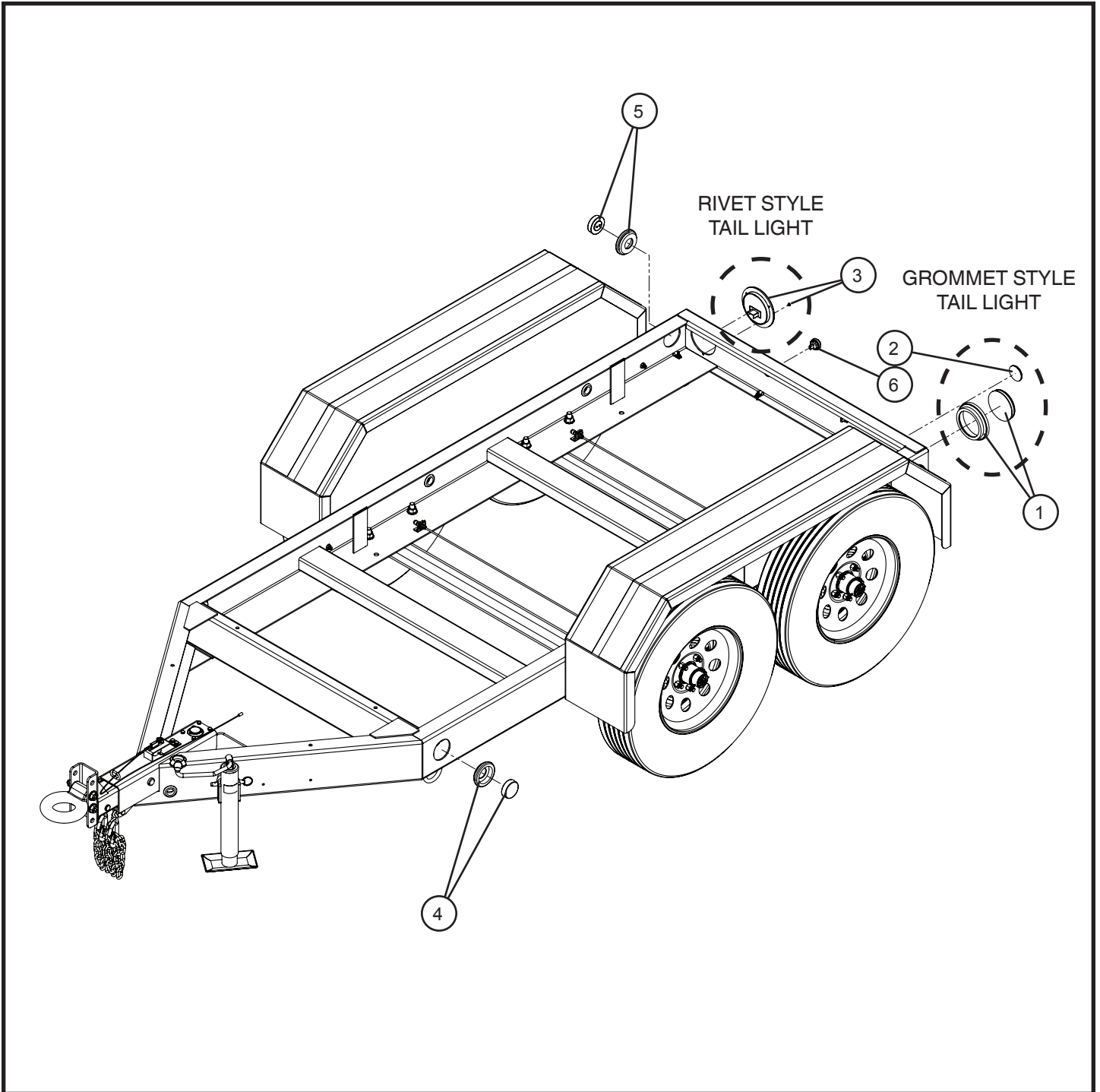
3.2 - Outlet Panel and Engine Electrical Group

SN 22-000001 and UP

Item	Allmand No.	Hokuetsu No.	Part Description	Qty.
1	110491	44311 65600	TERMINAL PLATE	1
2	110655	44311 66300	TERMINAL PLATE	1
3	110468	44312 02800	SOCKET	3
4	111684	44328 20500	PRESSURE SWITCH	1
5	111681	44364 06200	THERMO SENSOR	1
6	110487	44365 00300	OIL PRESSURE SENDER	1
7	110464	46120 26900	CIRCUIT BREAKER	3
	110465	46120 34000	CIRCUIT BREAKER	3
8	110466	46120 26800	CIRCUIT BREAKER	2
	110467	46120 34100	CIRCUIT BREAKER	2
9	111678	46813 08101	LEVEL SWITCH	1
NS	110515	02201 08020	FLANGE BOLT	8

3.3 - Tail Lights and Tail Light Harness

SN 22-000001 and UP



Maxi-Power 40

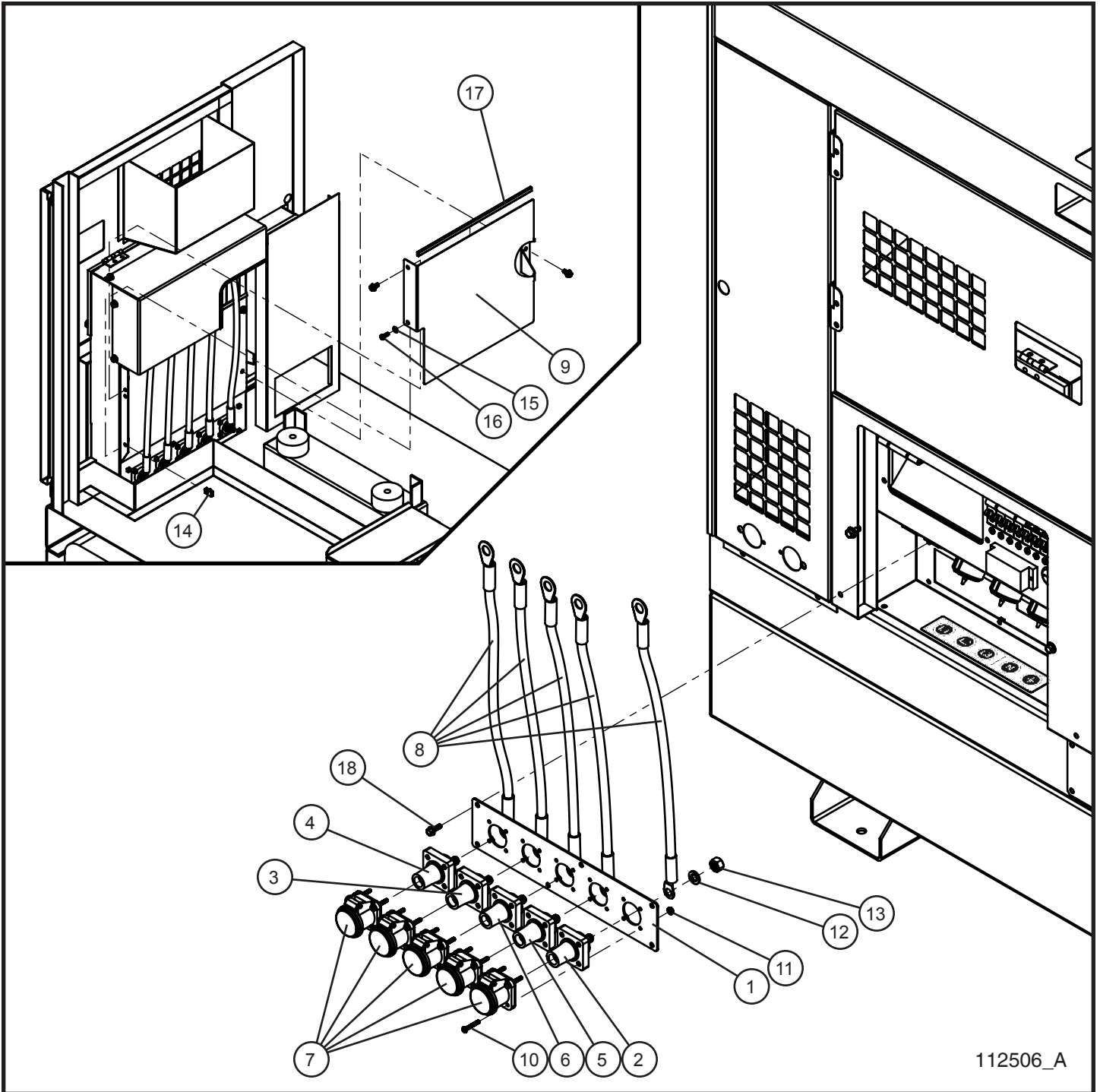
3.3 - Tail Lights and Tail Light Harness

SN 22-000001 and UP

Item	Allmand No.	Hokuetsu No.	Part Description	Qty.
1	113438	n/a	4" TAIL LIGHT W/ GROMMET	2
2	113439	n/a	TAIL LIGHT REFLECTOR (ONLY USED W/ GROMMET TAIL LIGHTS)	2
3	113440	n/a	4" FLANGE MOUNT TAIL LIGHT W/ RIVETS	2
4	113441	n/a	2.5" AMBER SIDE MARKER/REFLECTOR W/ GROMMET	2
5	113442	n/a	2.5" RED SIDE MARKER/REFLECTOR W/ GROMMET	2
6	113443	n/a	1.25" LICENSE PLATE LED LIGHT	2
NS	113453	n/a	TAIL LIGHT WIRE HARNESS MP 40/45/65	1

3.4 - Cam Lock Group

SN 22-000001 and UP



112506_A

Maxi-Power 40

3.4 - Cam Lock Group

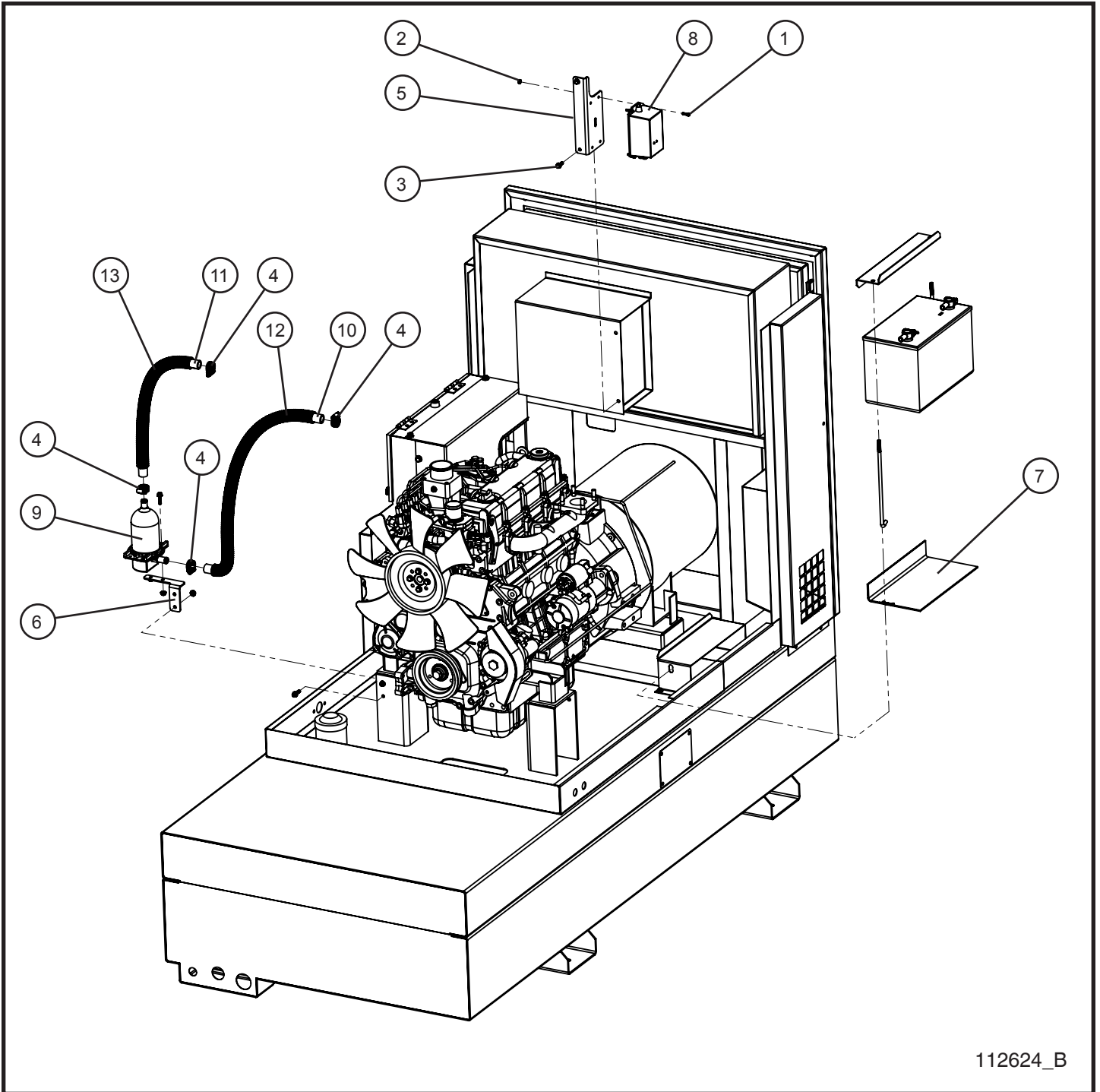
SN 22-000001 and UP

Item	Allmand No.	Hokuetsu No.	Part Description	Qty.
1	112508P	n/a	CAM LOCK MOUNT PLATE	1
2	113246	n/a	CAM LOCK GREEN FEMALE 90° 600V 400A	1
3	113243	n/a	CAM LOCK RED FEMALE 90° 600V 400A	1
4	113242	n/a	CAM LOCK BLACK FEMALE 90° 600V 400A	1
5	113245	n/a	CAM LOCK WHITE FEMALE 90° 600V 400A	1
6	113244	n/a	CAM LOCK BLUE FEMALE 90° 600V 400A	1
7	112424	n/a	CAM LOCK CLEAR COVER 90°	5
8	112557	n/a	CAM LOCK CABLE KIT 40/65 KVA	1
9	112466P	n/a	CAM LOCK SHIELD MAXI-POWER 40 & 65	1
10	041035	n/a	#10-24 x 1-1/4 PHILLIPS MACHINE SCREW	20
11	044016	n/a	#10-24 KEPS HEX NUT	20
12	043085	n/a	1/2 SPLITLOCK WASHER	5
13	044045	n/a	1/2-13 HEX NUT	5
14	044106	n/a	1/4-20 EXTRUDED U NUT	1
15	047009	n/a	1/4 FLAT WASHER	1
16	046010	n/a	1/4-20 x 3/4 HEX HEAD BOLT	1
17	030053	n/a	5/64 x 7/16 x 8.50 TRIM LOCK	1
18	055001	n/a	M6-1.0 x 20 HEX HEAD FLANGE BOLT	6
NS	112422	n/a	CAM LOCK 1/0 CABLE SCHEMATIC	1

*NS - NOT SHOWN

3.5 - Arctic Package (1 of 2)

SN 22-000001 and UP



112624_B

Maxi-Power 40

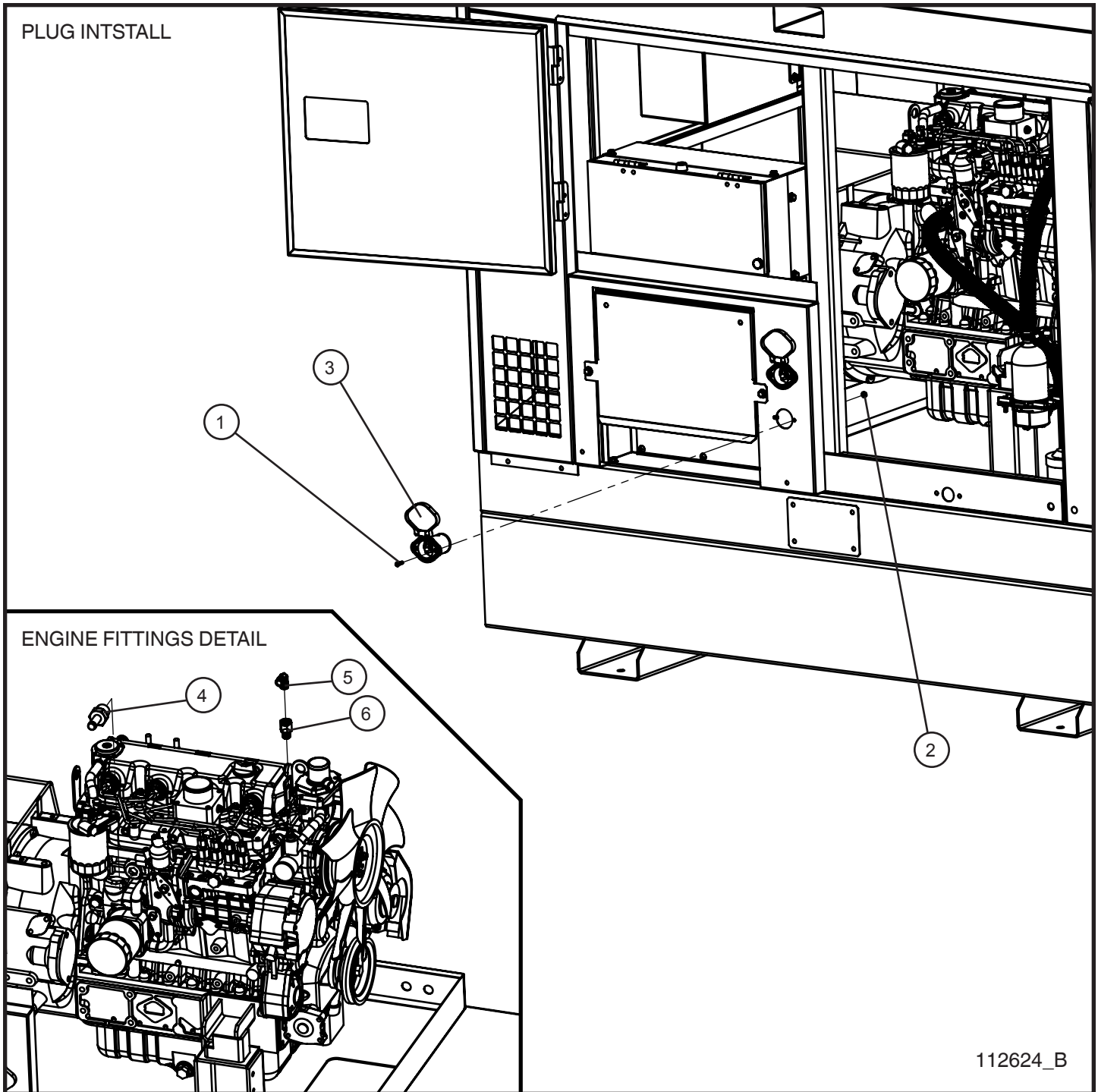
3.5 - Arctic Package (1 of 2)

SN 22-000001 and UP

Item	Allmand No.	Hokuetsu No.	Part Description	Qty.
1	041027	n/a	#10-24 x 3/4 PHILLIPS ROUND HEAD	4
2	044016	n/a	#10-24 KEPS HEX NUT	4
3	055001	n/a	M6-1.0 x 20 HEX HEAD FLANGE BOLT	2
4	045033	n/a	#10 HOSE CLAMP WORM GEAR	4
5	112596P	n/a	BATTERY CHARGER MOUNT	1
6	112593P	n/a	BLOCK HEATER MOUNT	1
7	112635	n/a	BATTERY HEATER MAXI-POWER 40	1
8	112636	n/a	BATTERY CHARGER MAXI-POWER 40	1
9	112601	n/a	BLOCK HEATER MAXI-POWER	1
10	081025	n/a	5/8 HEATER HOSE x 28.00	1
11	081025	n/a	5/8 HEATER HOSE x 22.00	1
12	022211	n/a	1.0 LOOM GUARD x 26.00	1
13	022211	n/a	1.0 LOOM GUARD x 20.00	1
NS	043050	n/a	1/4 INTERNAL TOOTH LOCK WASHER	1
NS	112638	n/a	ARCTIC PACKAGE SCHEMATIC	1

3.5 - Arctic Package (2 of 2)

SN 22-000001 and UP



Maxi-Power 40

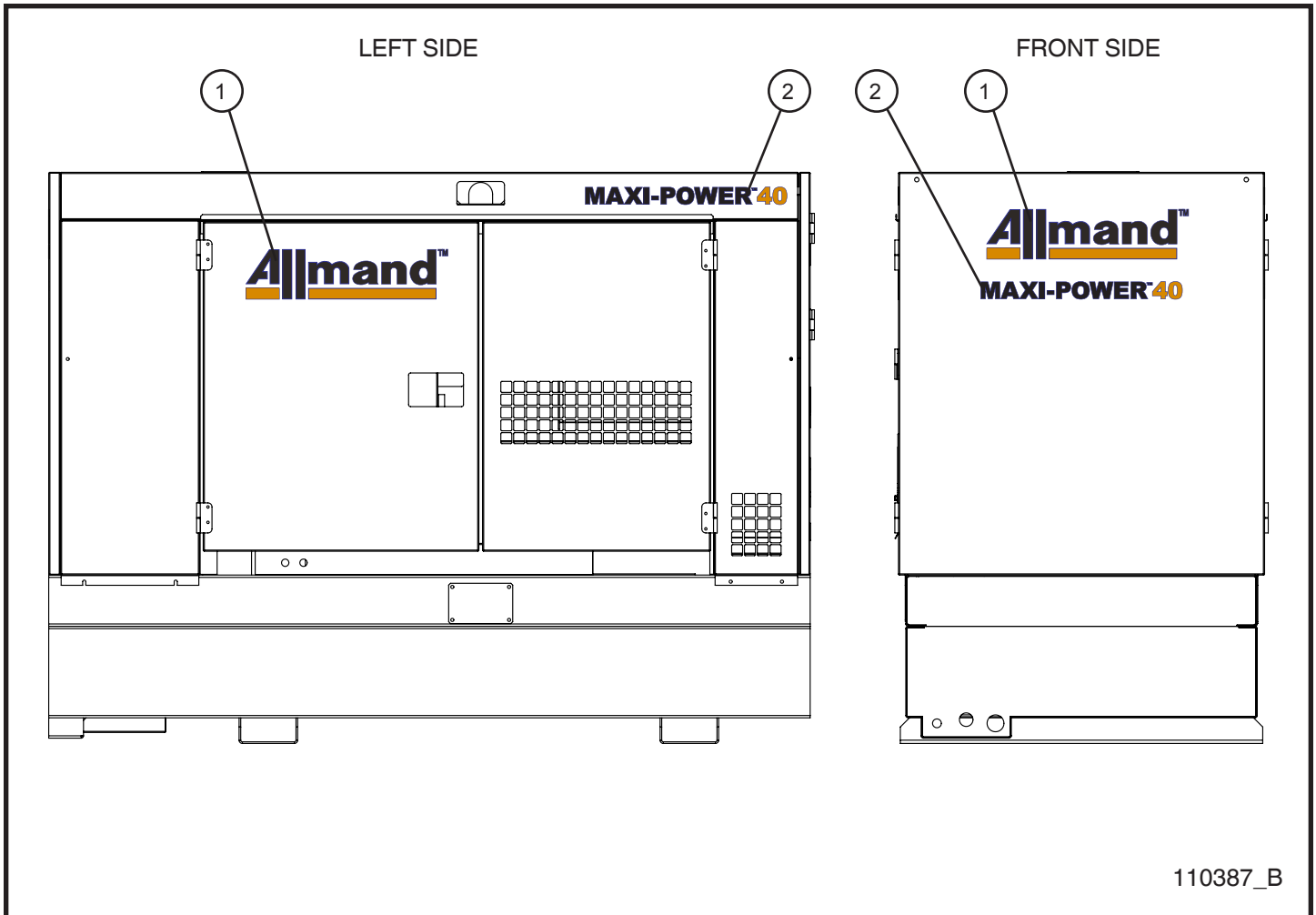
3.5 - Arctic Package (2 of 2)

SN 22-000001 and UP

Item	Allmand No.	Hokuetsu No.	Part Description	Qty.
1	041027	n/a	#10-24 x 3/4 PHILLIPS ROUND HEAD	4
2	044016	n/a	#10-24 KEPS HEX NUT	4
3	112621	n/a	RECESSED PLUG MAXI-POWER 40, 45, & 150	2
4	112607	n/a	FITTING 5/8" HOSE - 1" NPT	1
5	112592	n/a	90° FITTING HOSE BARB	1
6	104798	n/a	FITTING ADAPTOR 3/8" BSPT TO 3/8" NPT	1
NS	022202	n/a	LOOM FLEX GUARD 3/8 x 36.00	1
NS	022207	n/a	LOOM FLEX GUARD 5/8 x 32.00	1
NS	022207	n/a	LOOM FLEX GUARD 5/8 x 50.00	1
NS	068090	n/a	CABLE TIE 8"	14
NS	112608	n/a	PLUG 3-PRONG MALE	1

4.1 - Left and Front Side Branding Decals

SN 22-000001 and UP



110387_B

Maxi-Power 40

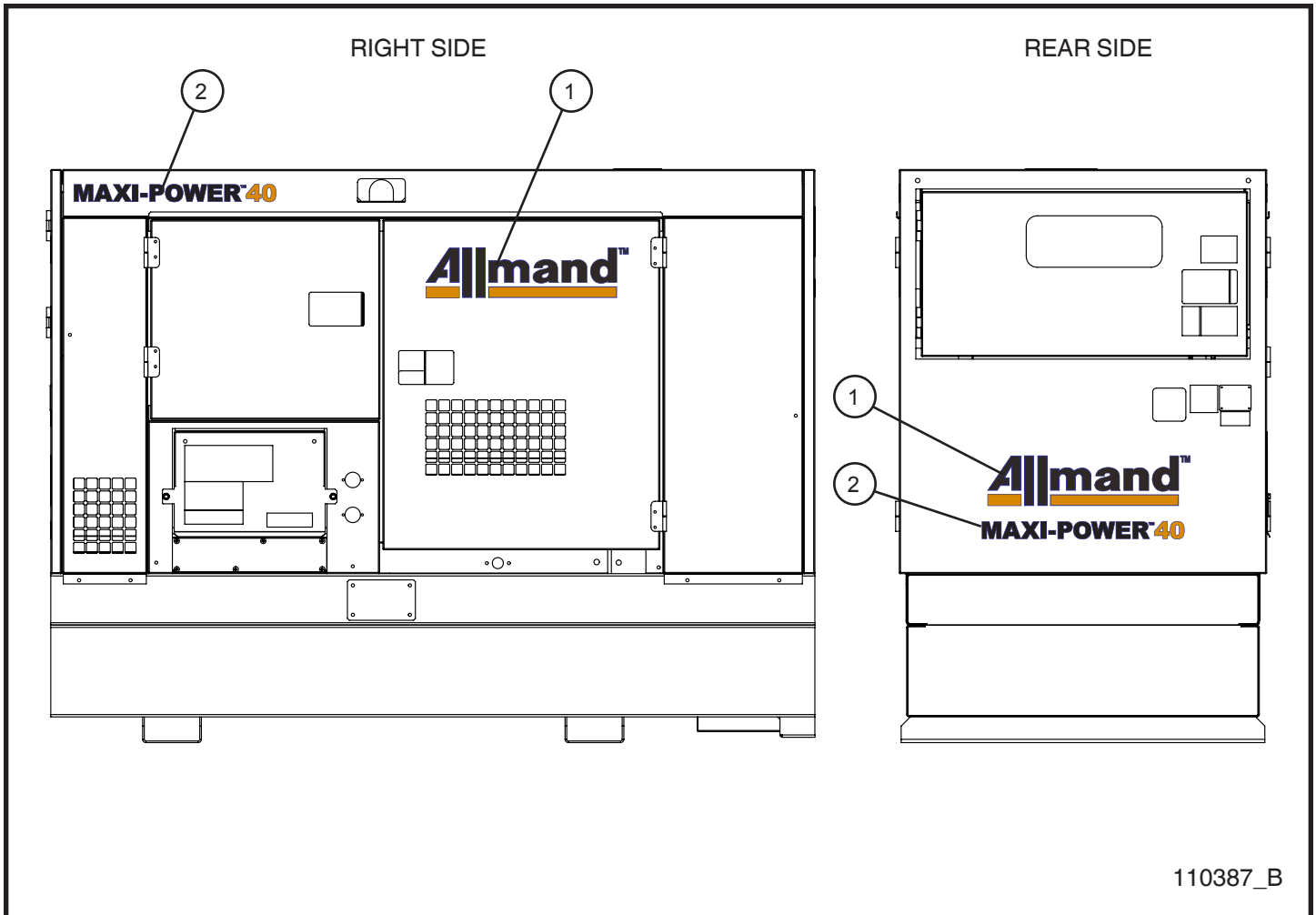
4.1 - Left and Front Side Branding Decals

SN 22-000001 and UP

Item	Allmand No.	Hokuetsu No.	Part Description	Qty.
1	110286	n/a	SMALL BLACK ALLMAND BRANDING DECAL	2
2	110300	n/a	MAXI-POWER 40 DECAL	2

4.2 - Right and Rear Side Branding Decals

SN 22-000001 and UP



110387_B

Maxi-Power 40

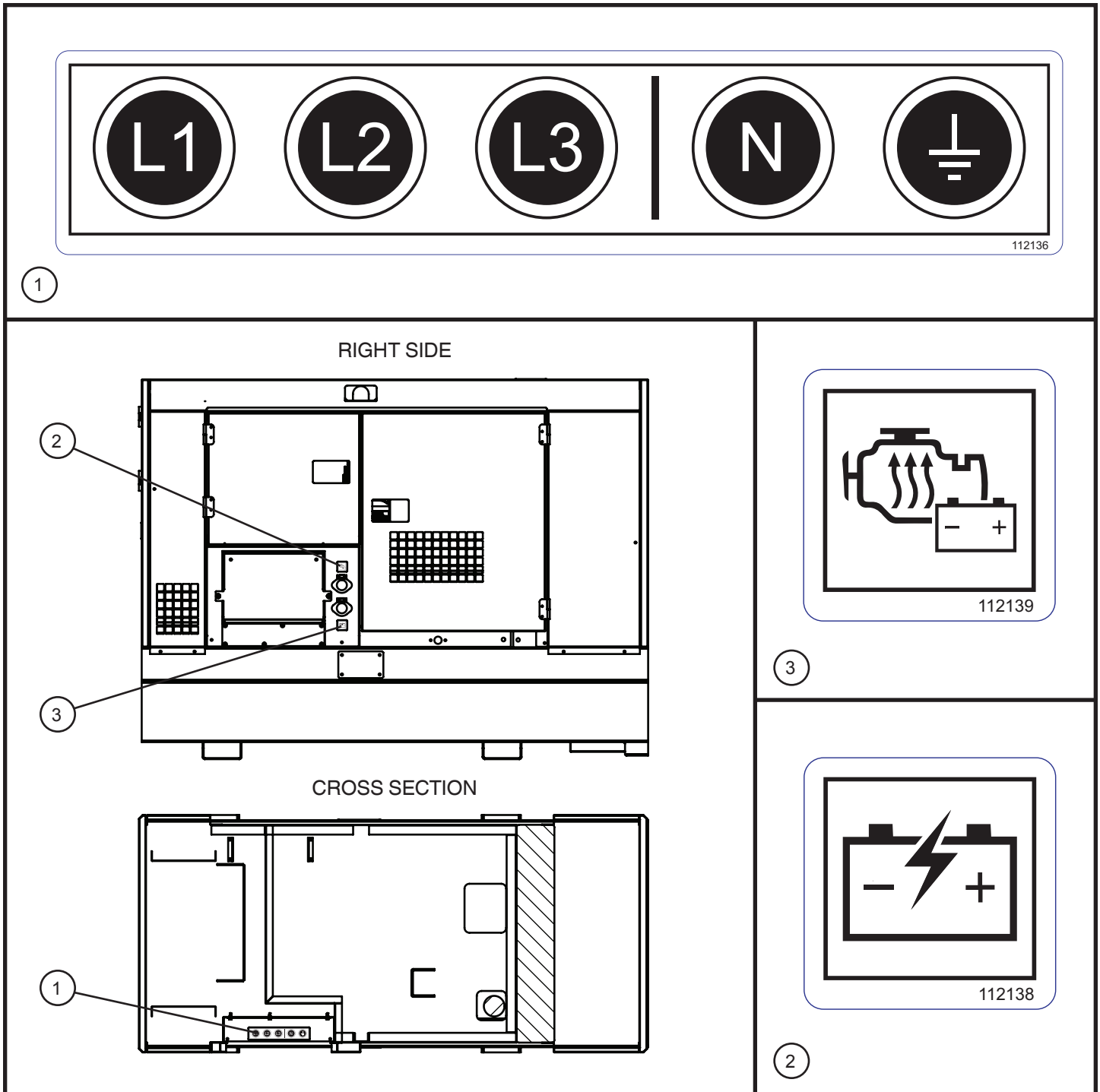
4.2 - Right and Rear Side Branding Decals

SN 22-000001 and UP

Item	Allmand No.	Hokuetsu No.	Part Description	Qty.
1	110286	n/a	SMALL BLACK ALLMAND BRANDING DECAL	2
2	110300	n/a	MAXI-POWER 40 DECAL	2

4.3 - Cam Lock and Arctic Package Decals

SN 22-000001 and UP



Maxi-Power 40

4.3 - Cam Lock and Arctic Package Decals

SN 22-000001 and UP

Item	Allmand No.	Hokuetsu No.	Part Description	Qty.
1	112136	n/a	CAM LOCK MAXI-POWER DECAL	1
2	112138	n/a	BATTERY CHARGER DECAL	1
3	112139	n/a	ENGINE AND BATTERY HEATER DECAL	1

Allmand™

BRIGHTER. WARMER. SAFER.

Allmand Bros., Inc.
1502 West 4th Avenue
Holdrege, NE 68949
phone: (308) 995-4495 • toll free: (800) 562-1373
fax: (308) 995-5887

www.allmand.com



Reliability, performance, and integrity since 1938

13-0267