

Allmand™

Brighter. Warmer. Safer.

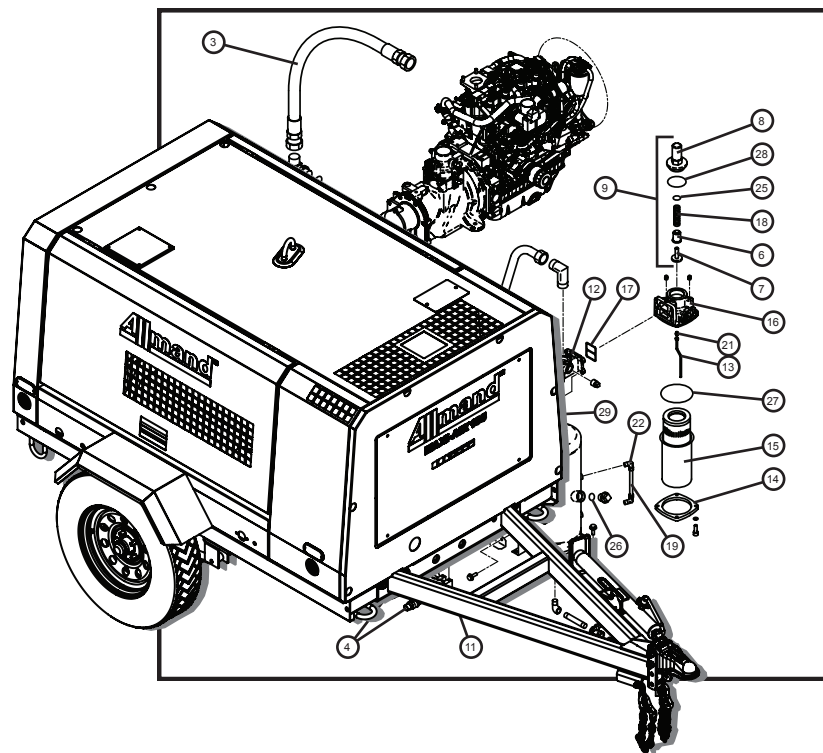
Portable
Industrial
Heaters

Portable
Light Towers

Portable
Light Stands

Solar Flashing
Arrow Boards

en Parts Manual
MAXI-AIR® 185



Copyright © 2020 Allmand Bros., Inc.
Holdrege, NE, USA. All rights reserved.

Part No.: 110305
Revision: E
Serial No.: 19-000001 and UP

LIGHT TOWER APP



Reliability, Performance, and Integrity Since 1938

www.allmand.com

TABLE OF CONTENTS

1.0 TRAILER PARTS GROUP

Axle and Wheel Group	(1.1)
Tongue Group	(1.2)
Tongue Coupler Options	(1.3)
Trailer Base Parts	(1.4)

2.0 ENGINE AND COMPRESSOR GROUP

Engine Exhaust and Fuel Line Group	(2.1)
Engine Air Filter Group	(2.2)
Cooling Group	(2.3)
Oil Lines	(2.4)
Separator and Receiver Group	(2.5)
Air End Assembly Group	(2.6)
Air Lines	(2.7)

3.0 ELECTRICAL GROUP

Electrical Controller Group	(3.1)
Trailer Lighting Group (Old Style Harness)	(3.2)
Trailer Lighting Group (New Style Harness)	(3.3)
Trailer Lighting Hole Covers	(3.4)
Battery Charger Option	(3.5)
Battery Disconnect Option	(3.6)

4.0 DECALS

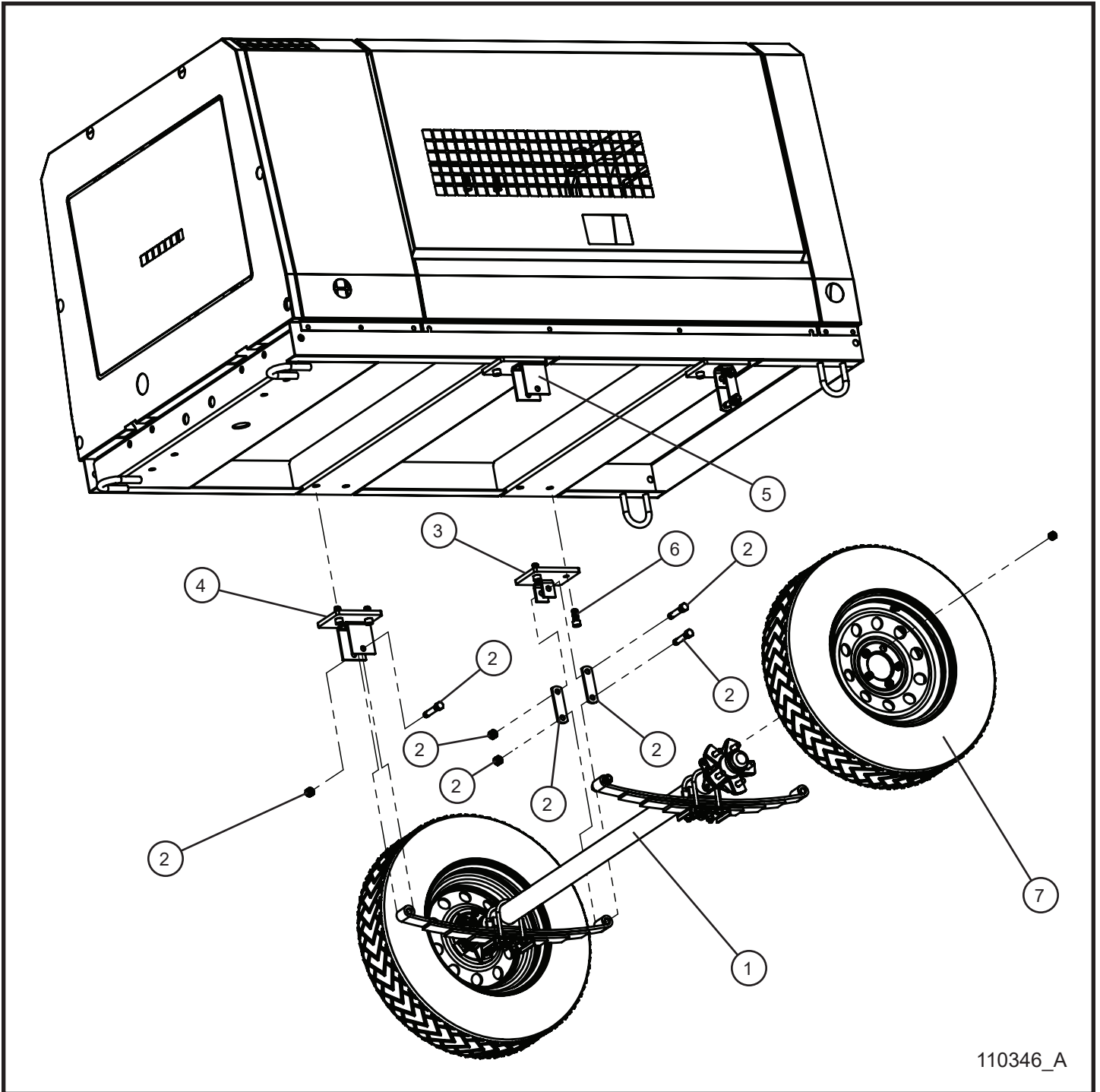
Left Side Decals	(4.1)
Right Side Decals	(4.2)
Front Side Decals	(4.3)
Rear Side Decals	(4.4)

Maxi-Air 185

PAGE LEFT BLANK
INTENTIONALLY

1.1 - Axle and Wheel Group

SN 19-000001 and UP



110346_A

Maxi-Air 185

1.1 - Axle and Wheel Group

SN 19-000001 and UP

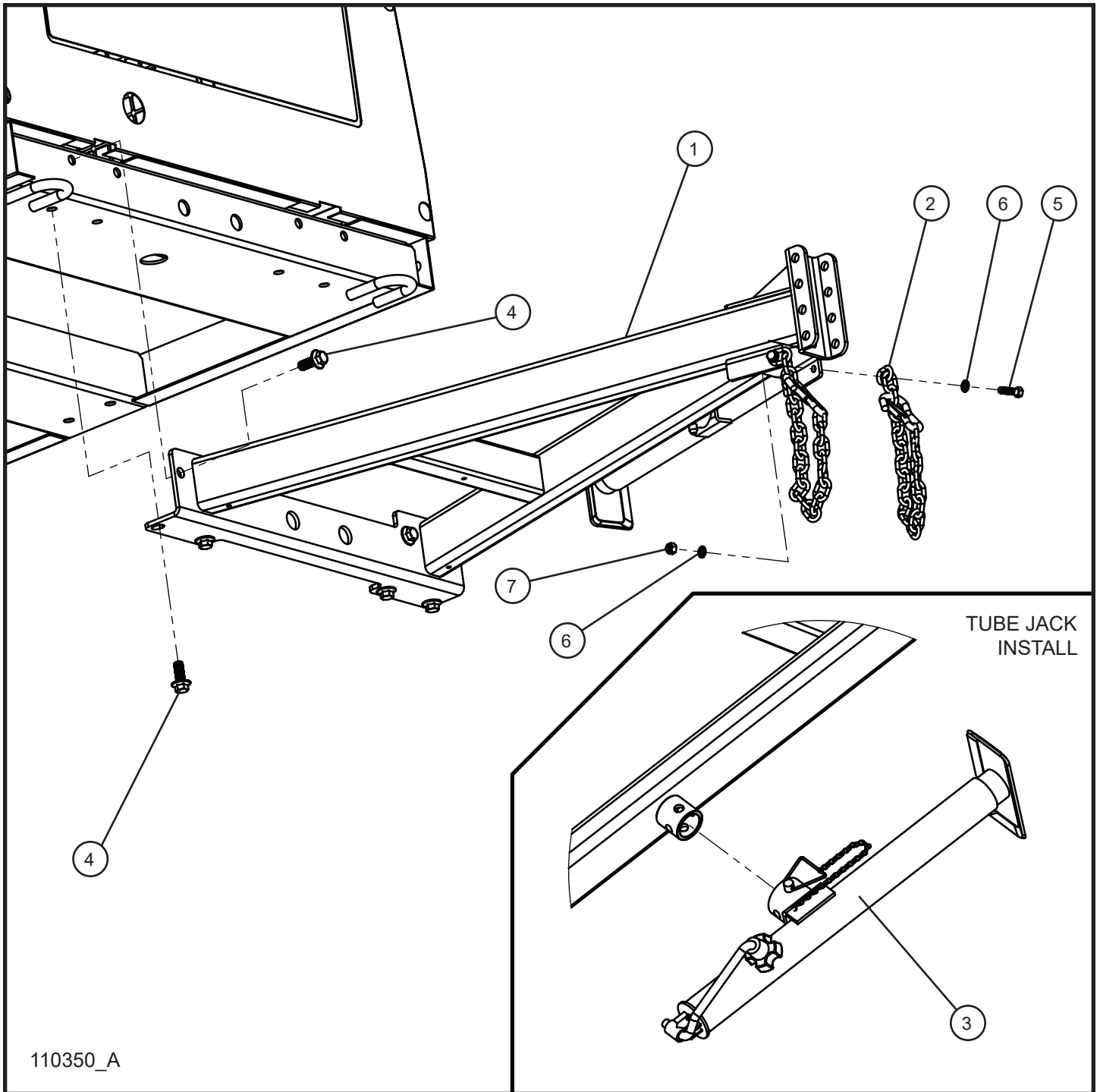
Item	Allmand No.	Part Description	Qty.
1	110059	AXLE MAXI-AIR 185	1
2	102106	AXLE HARDWARE KIT LONG	1
3	110247P	SHACKLE WELDMENT REAR	2
4	110061P	SHACKLE WELDMENT FRONT LEFT	1
5	110062P	SHACKLE WELDMENT FRONT RIGHT	1
6	054000	SOCKET HEAD CAP SCREW M14 x 2.0 x 4.0	8
7	106199	15" WHEEL/TIRE ASSEMBLY	2

NS - Not Shown

* * * - Contact Allmand for more information.

1.2 - Tongue Group

SN 19-000001 and UP



110350_A

Maxi-Air 185

1.2 - Tongue Group

SN 19-000001 and UP

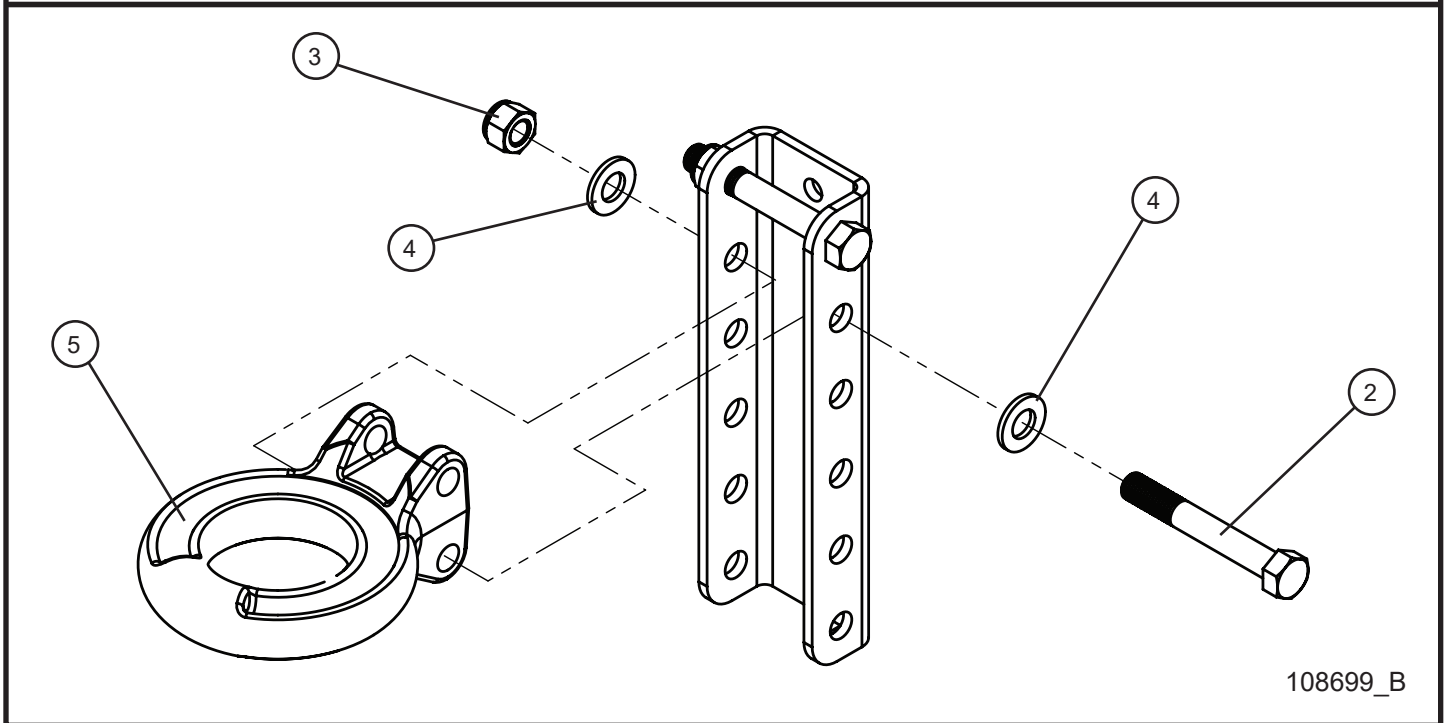
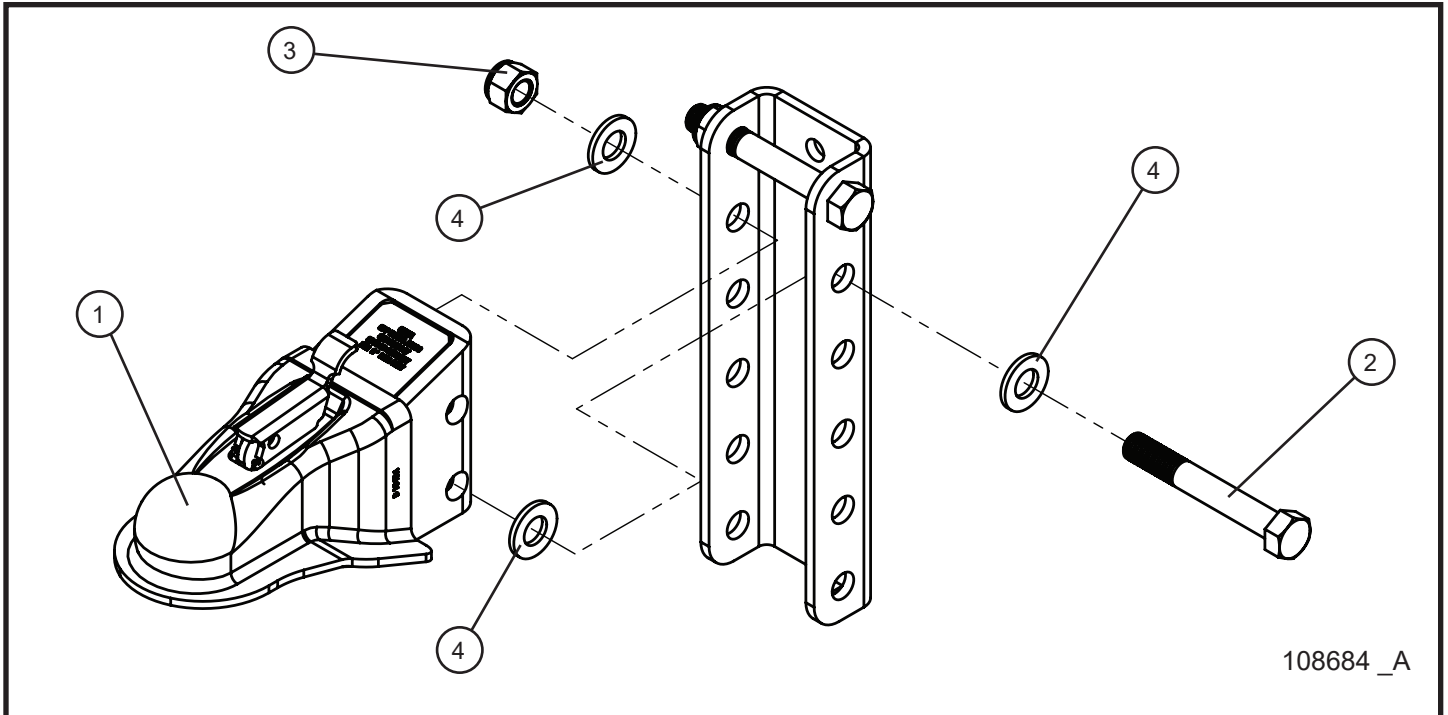
Item	Allmand No.	Part Description	Qty.
1	110010P	TONGUE WELDMENT MAXI-AIR 185	1
2	049040	CHAIN SAFETY SINGLE CLASS III	2
3	108727	TOP CRANK JACK TUBE	1
4	055000	HEX FLANGE SCREW METRIC M16 x 2.0 x 40	8
5	046160	7/16-14 x 1 1/2 HEX HEAD CS GR5 PL	2
6	047015	3/8 FLAT WASHER SAE ZC	4
7	044043	7/16-14 NYLOCK HEX NUT PL	2

NS - Not Shown

* * * - Contact Allmand for more information.

1.3 - Tongue Coupler Options

SN 19-000001 and UP



1.3 - Tongue Coupler Options

SN 19-000001 and UP

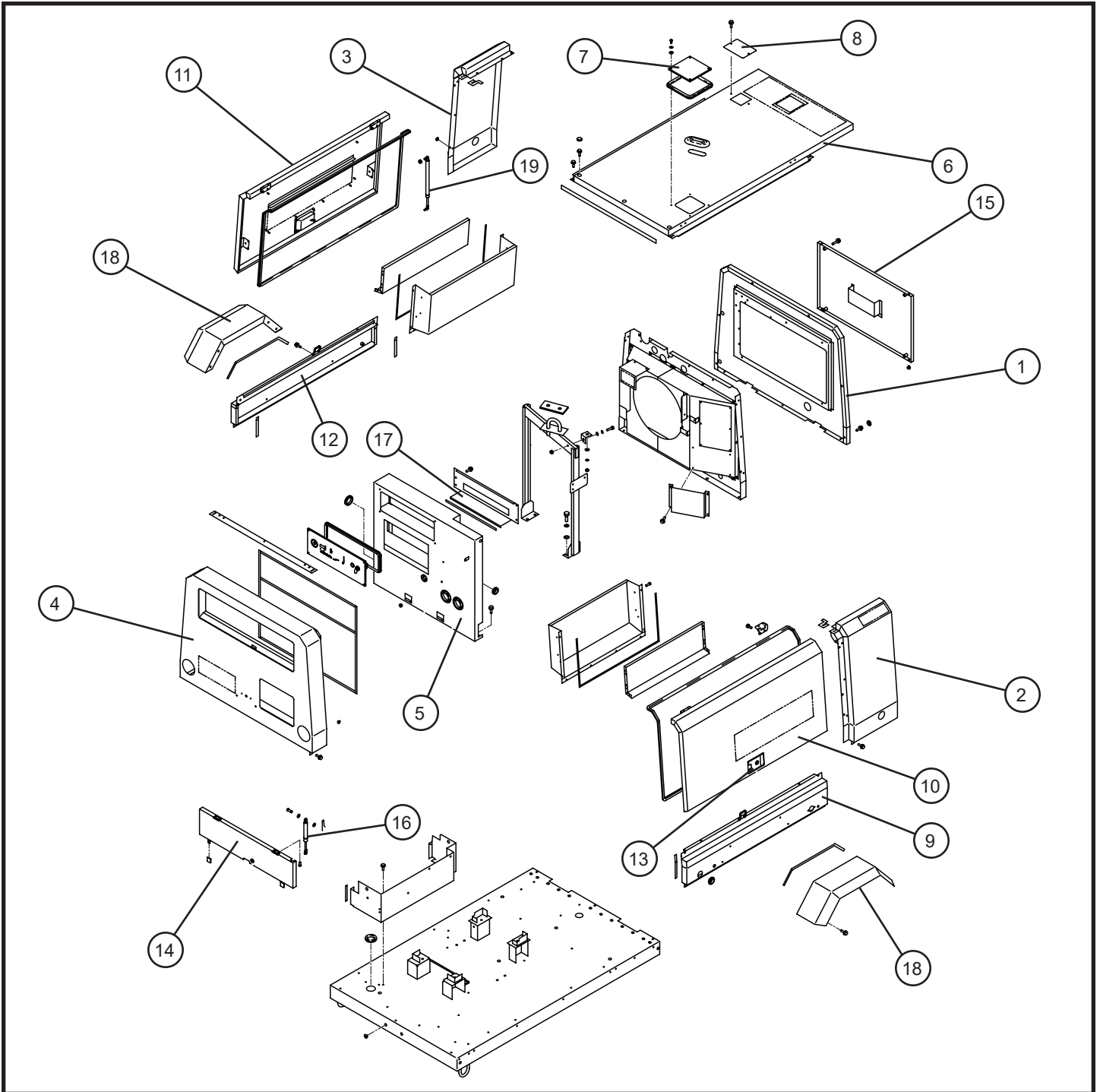
Item	Part No.	Part Description	Qty.
1	109976	COUPLER BALL 2.313 ADJUSTABLE STAMPED	1
2	046255	5/8-11 x 5 HEX HEAD CS GR5 PL	2
3	044053	5/8-11 NYLOCK HEX NUT PL	2
4	047031	5/8 FLAT WASHER HDND PL	3
5	106720	RING PINTLE 3.00 ADJUSTABLE	1

NS - Not Shown

* * * - Contact Allmand for more information.

1.4 - Trailer Base Parts

SN 19-000001 and UP



Maxi-Air 185

1.4 - Trailer Base Parts

SN 19-000001 and UP

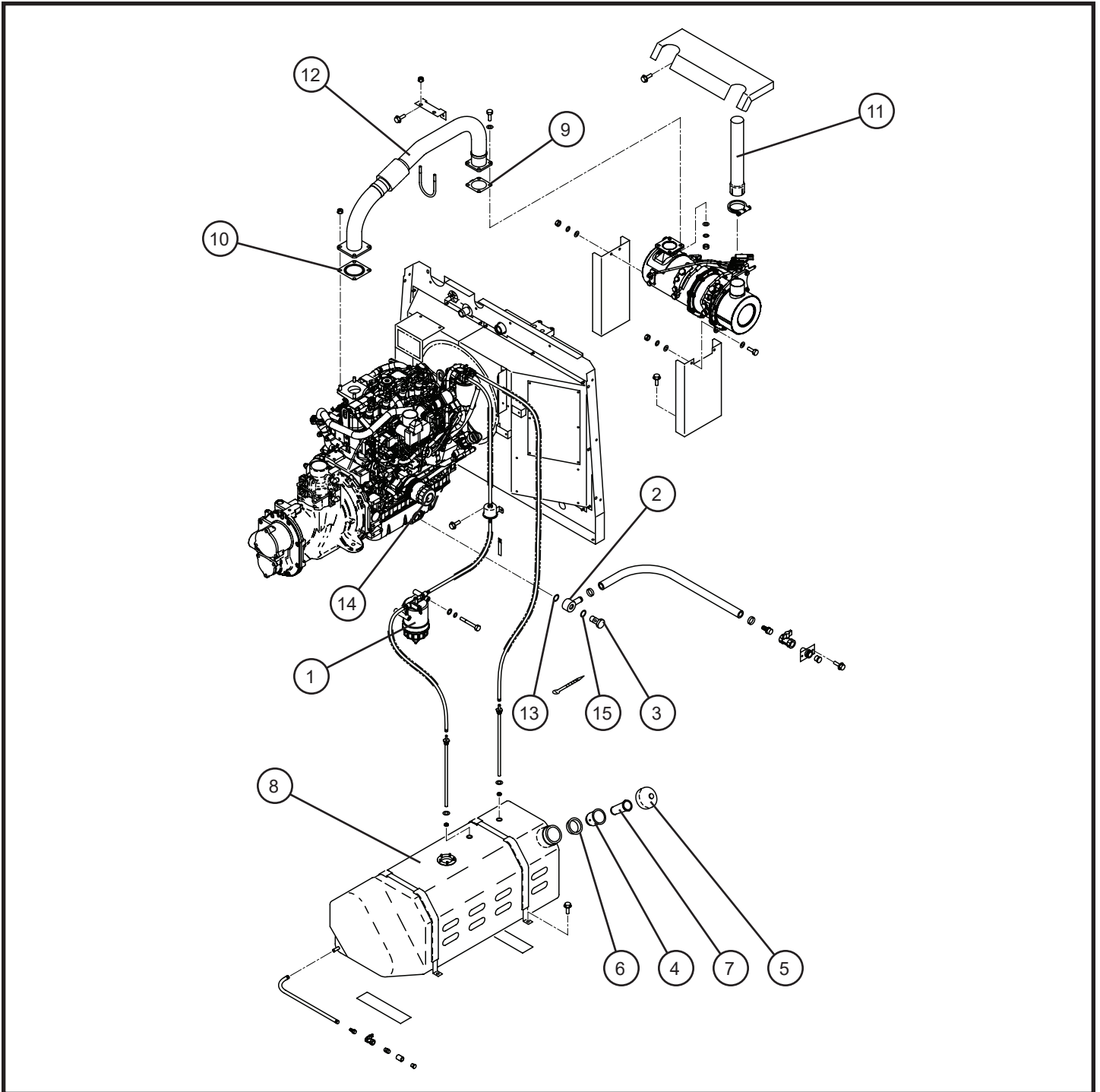
Item	Allmand No.	Part Description	Qty.
1	111774	FRONT COVER	1
2	n/a	RIGHT FRONT COVER	1
3	n/a	LEFT FRONT COVER	1
4	n/a	REAR COVER	1
5	n/a	REAR INSIDE COVER	1
6	110529	TOP COVER	1
7	n/a	TOP REAR COVER	1
8	110472	TOP FRONT COVER	1
9	110474	LEFT SIDE COVER	1
10	110488	LEFT DOOR	1
11	110501	RIGHT DOOR	1
12	110500	RIGHT SIDE COVER	1
13	110499	LATCH ASSEMBLY	2
14	n/a	REAR DOOR	1
15	110504	FRONT INNER COVER	1
16	n/a	DUMPER	1
17	n/a	REAR INSIDE CONTROL COVER	1
18	112120	FENDER	2
19	n/a	DUMPER	4

NS - Not Shown

* * * - Contact Allmand for more information.

2.1 - Engine Exhaust and Fuel Line Group

SN 19-000001 and UP



Maxi-Air 185

2.1 - Engine Exhaust and Fuel Line Group

SN 19-000001 and UP

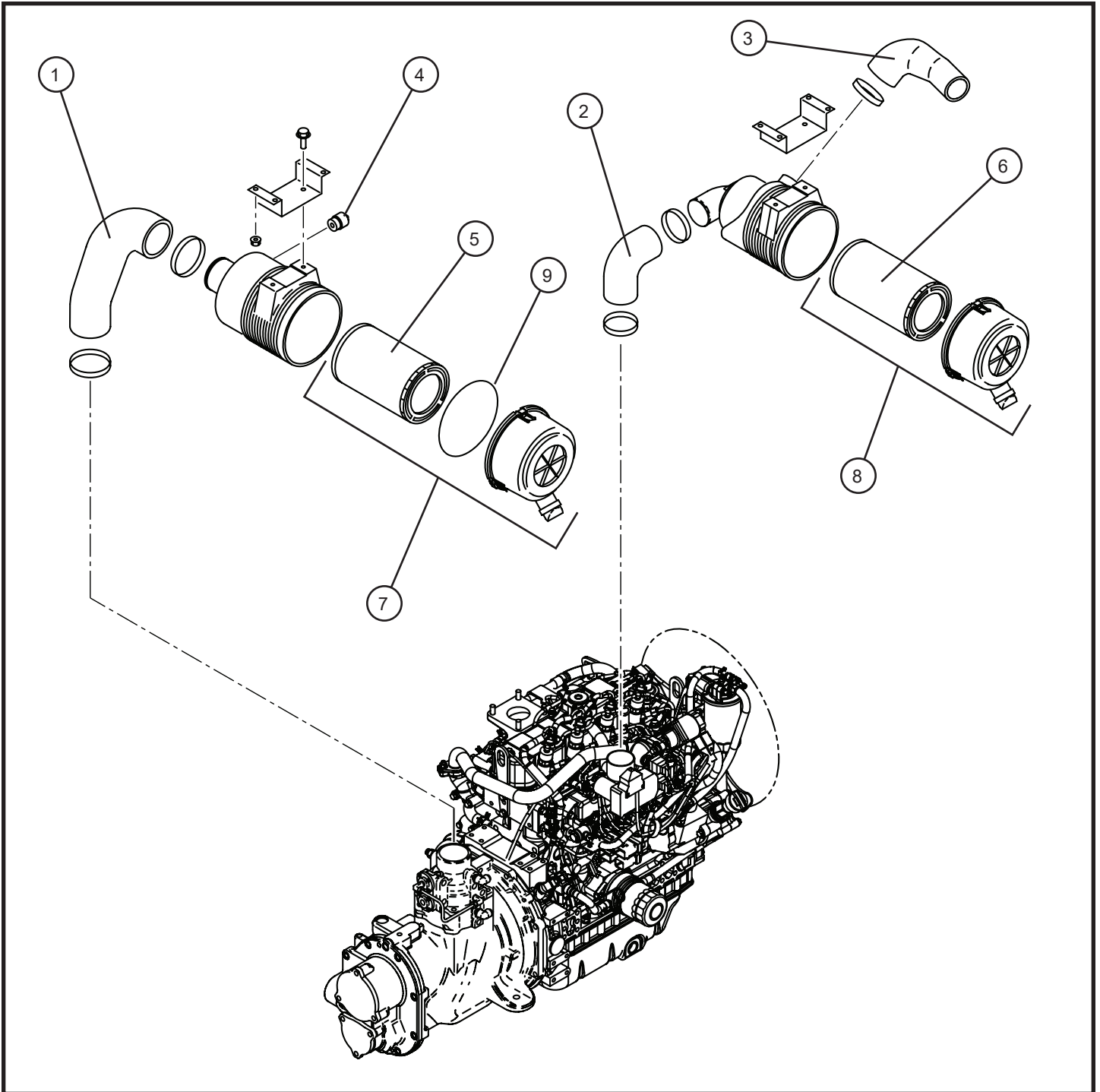
Item	Allmand No.	Part Description	Qty.
1	110559	FUEL FILTER	1
2	110560	RING CONNECTOR	1
3	110561	NIPPLE (BOLT)	1
4	110557	HOLDER	1
5	110555	CAP	1
6	110558	HOLDER	1
7	110556	STRAINER	1
8	110554	FUEL TANK	1
9	110550	GASKET	1
10	110551	GASKET	1
11	110552	EXHAUST PIPE	1
12	110549	EXHAUST PIPE	1
13	110563	GASKET	1
14	110524	ENGINE OIL FILTER ASSEMBLY	1
15	110562	GASKET	1
NS	111764	185 FILTER KIT	1

NS - Not Shown

* * * - Contact Allmand for more information.

2.2 - Engine Air Filter Group

SN 19-000001 and UP



Maxi-Air 185

2.2 - Engine Air Filter Group

SN 19-000001 and UP

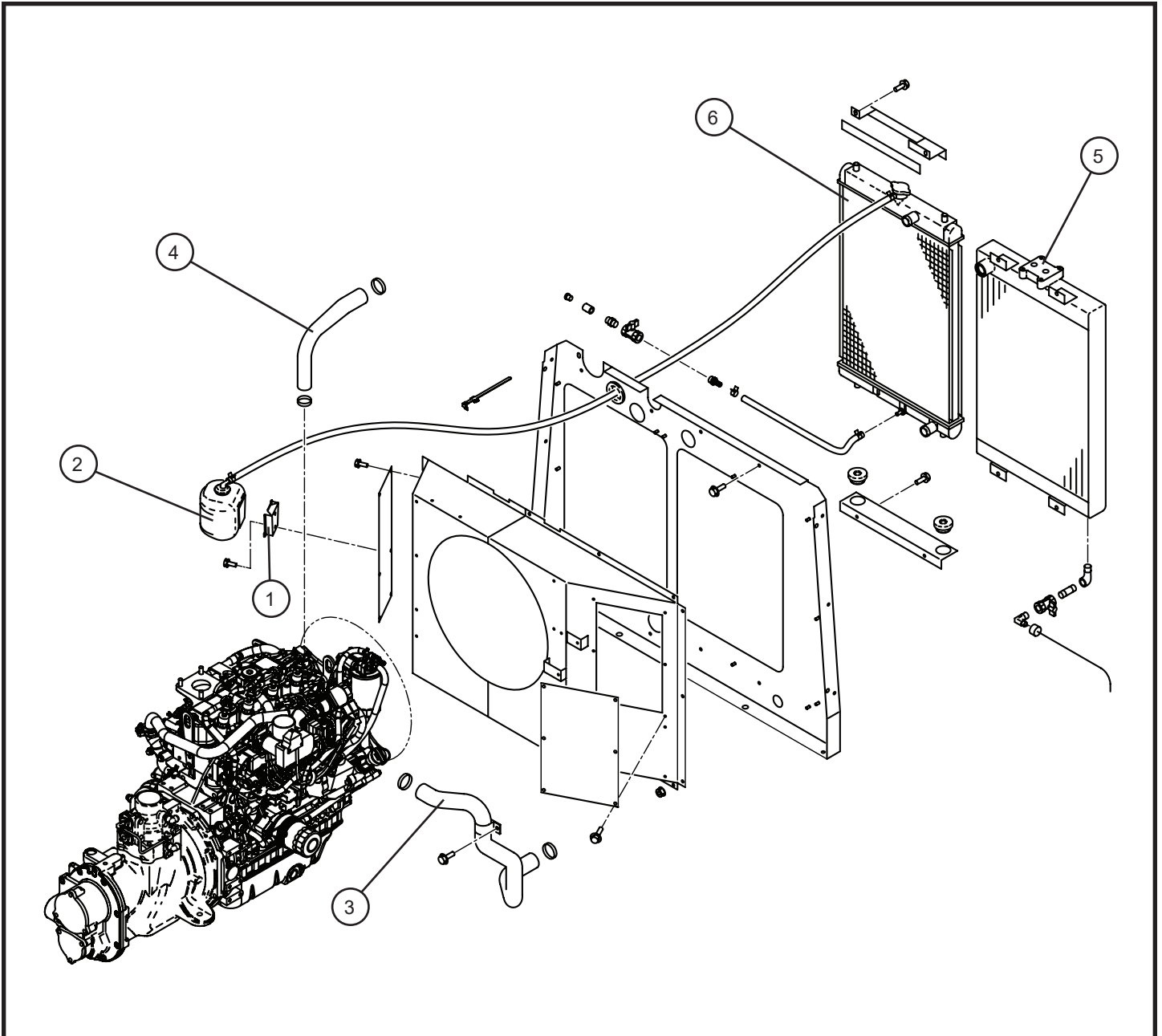
Item	Allmand No.	Part Description	Qty.
1	110639	HOSE	1
2	110638	HOSE	1
3	110640	HOSE	1
4	110740	FILTER SERVICE INDICATOR	2
5	110739	COMPRESSER ELEMENT (OUTER)	1
6	110634	ENGINE ELEMENT (OUTER)	1
7	110736	AIR FILTER ASSEMBLY	1
8	110633	AIR FILTER ASSEMBLY	1
9	111345	O-RING	1
NS	111764	185 FILTER KIT	1

NS - Not Shown

* * * - Contact Allmand for more information.

2.3 - Cooling Group

SN 19-000001 and UP



Maxi-Air 185

2.3 - Cooling Group

SN 19-000001 and UP

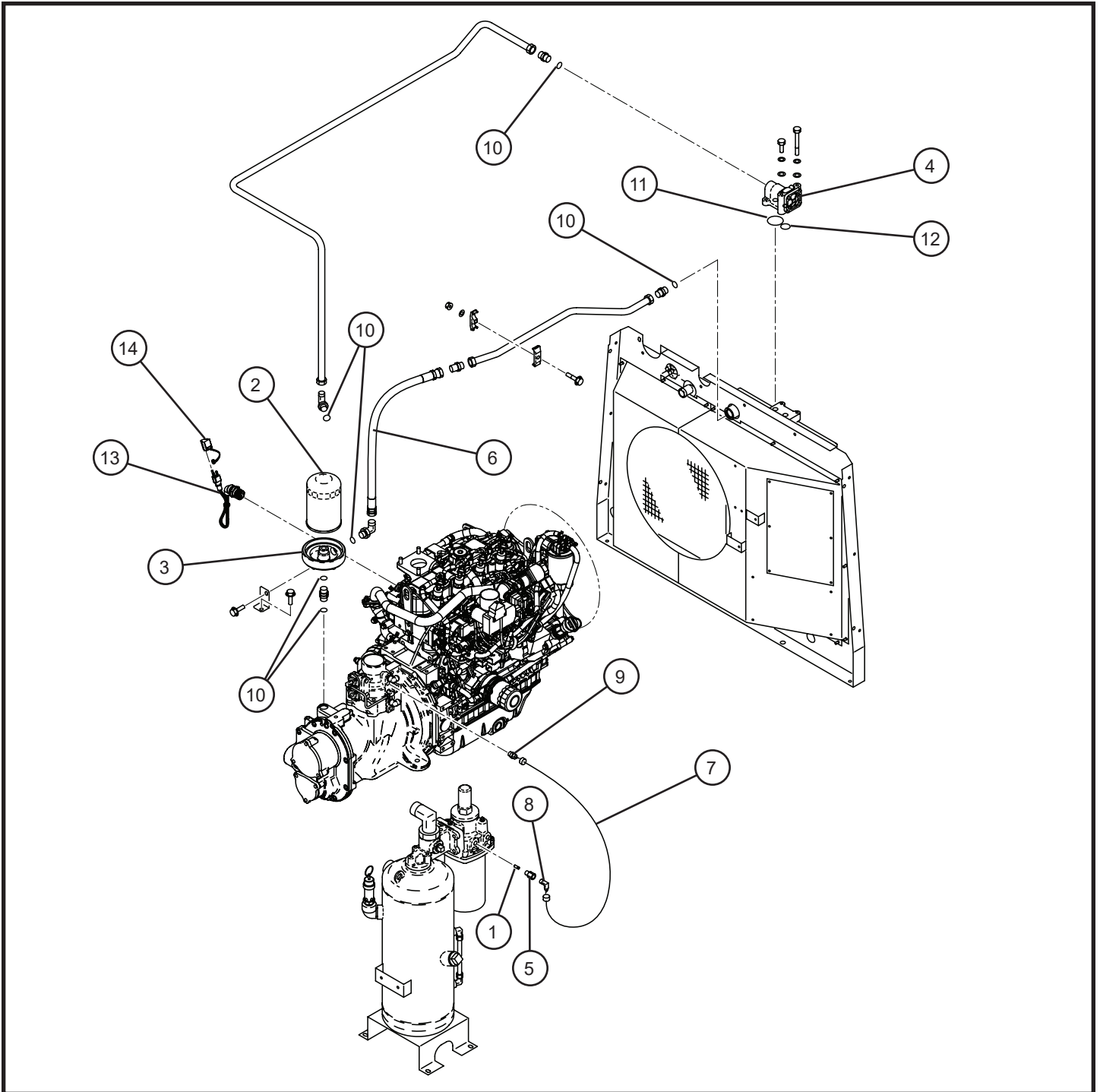
Item	Allmand No.	Part Description	Qty.
1	110570	BRACKET	1
2	110569	RESERVE TANK ASSEMBLY	1
3	110568	HOSE	1
4	110567	HOSE	1
5	110566	OIL COOLER	1
6	110564	RADIATOR	1
	110565	RADIATOR CAP	1

NS - Not Shown

* * * - Contact Allmand for more information.

2.4 - Oil Lines and Block Heater

SN 19-00001 and UP



Maxi-Air 185

2.4 - Oil Lines and Block Heater

SN 19-000001 and UP

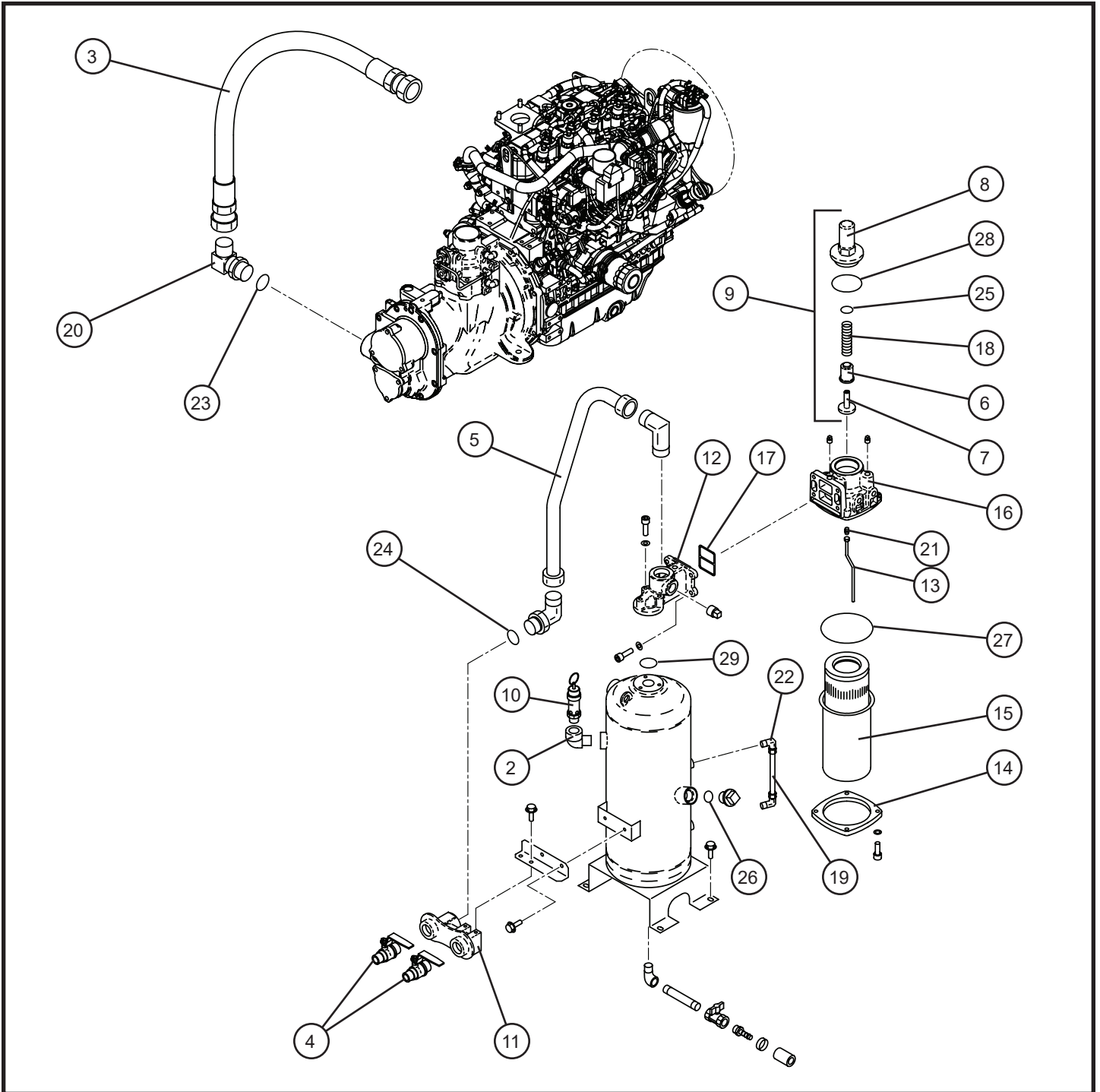
Item	Allmand No.	Part Description	Qty.
1	110581	STRAINER	1
2	110578	FILTER CARTRIDGE	1
3	110577	BODY	1
4	110786	BY-PASS VALVE COMPLETE ASSEMBLY	1
	110572	PELLET ASSEMBLY	1
	110573	O-RING	1
5	110580	BUSHING	1
6	110576	HOSE	1
7	110579	NYLON TUBE,W/N	1
8	110582	NIPPLE ELBOW	1
9	110583	NIPPLE	1
10	111343	O-RING	6
11	110575	O-RING	1
12	110789	O-RING	1
13	352373	1" NPT / 400W / 120V BLOCK HEATER	1
14	105995	120 VOLT CORD END COVER	1
NS	111764	185 FILTER KIT	1

NS - Not Shown

* * * - Contact Allmand for more information.

2.5 - Separator and Receiver Group

SN 19-000001 and UP



Maxi-Air 185

2.5 - Separator and Receiver Group

SN 19-000001 and UP

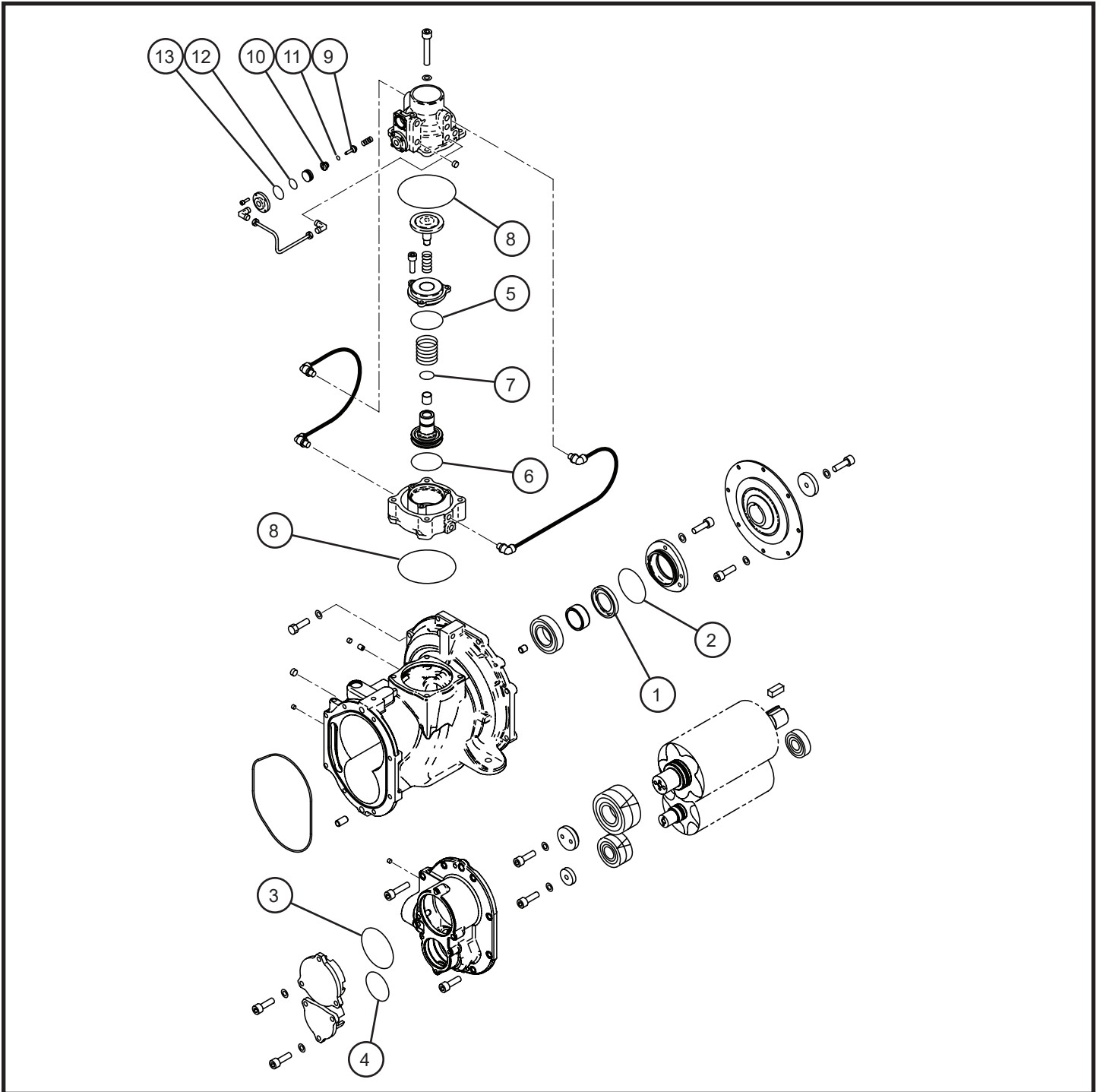
Item	Allmand No.	Part Description	Qty.
1	110612	DECAL (CAUTION)	1
2	110606	ELBOW	1
3	110607	HOSE	1
4	110632	AIR VALVE	2
5	110616	PIPE	1
6	110621	PISTON	1
7	110623	PISTON	1
8	110619	BODY	1
9	110618	PRESSURE CONTAINER VALVE ASSEMBLY	1
10	110605	SAFETY VALVE ASSEMBLY	1
11	110631	AIR MANIFOLD	1
12	110627	COVER	1
13	110615	PIPE	1
14	110630	SEPARATOR COVER	1
15	110611	SEPARATOR	1
	111734	SEPARATOR ELEMENT	1
16	110610	CASING	1
17	110629	O-RING	1
18	110624	SPRING	1
19	110625	NYLON TUBE,W/N	1
20	110608	NIPPLE ELBOW	1
21	110614	NIPPLE	1
22	110626	NIPPLE	2
23	110609	O-RING	1
24	110617	O-RING	1
25	110622	O-RING	1
26	110849	O-RING	1
27	110613	O-RING	1
28	110620	O-RING	1
29	110628	O-RING	1

NS - Not Shown

*** - Contact Allmand for more information.

2.6 - Air End Assembly Group

SN 19-000001 and UP



Maxi-Air 185

2.6 - Air End Assembly Group

SN 19-000001 and UP

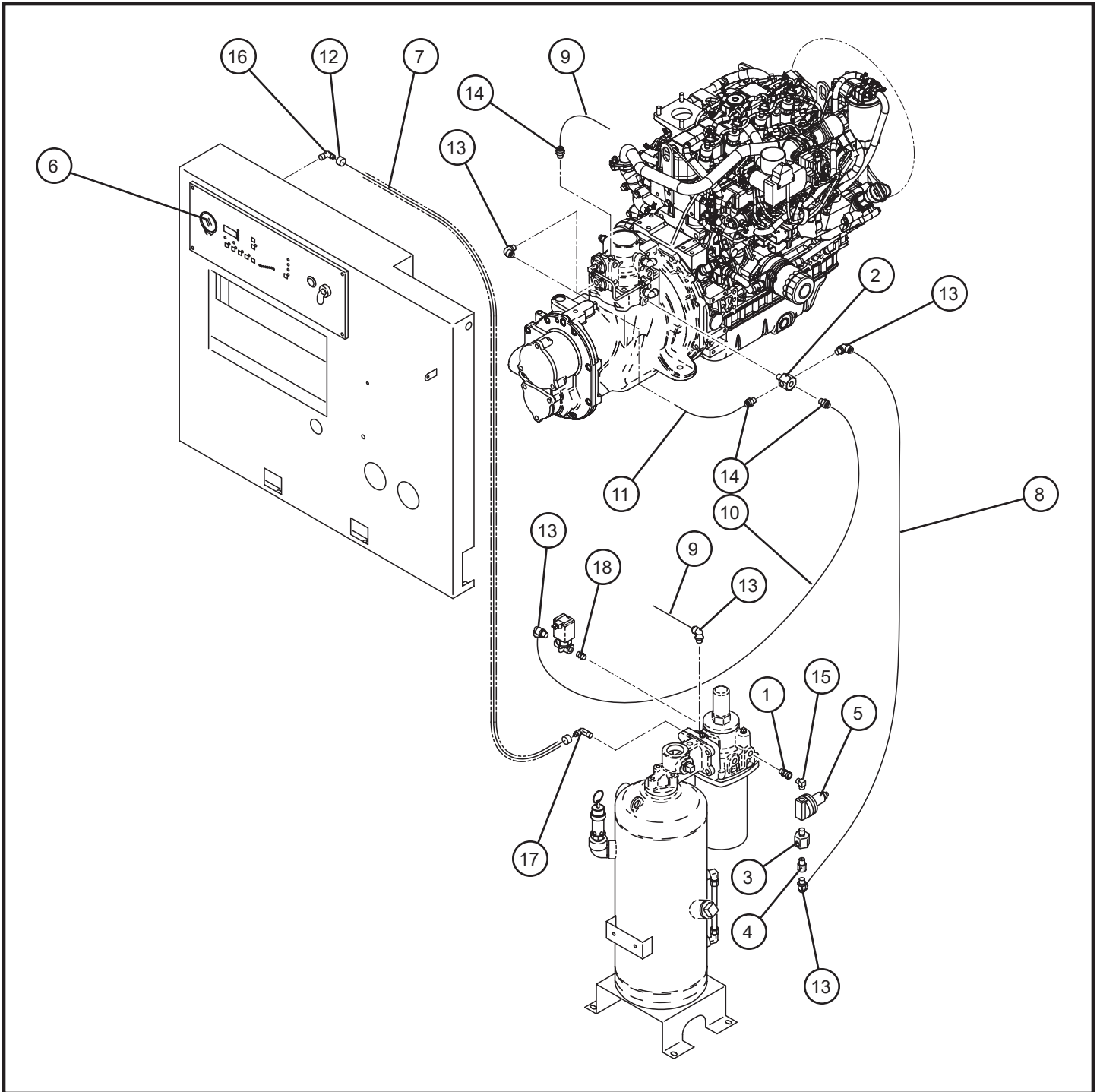
Item	Allmand No.	Part Description	Qty.
1	111755	OIL SEAL	1
2	110861	O-RING	1
3	111651	O-RING	1
4	111728	O-RING	1
5	110919	O-RING	1
6	111729	O-RING	1
7	111730	O-RING	1
8	111345	O-RING	2
9	111731	AUTO-RELIEF NEEDLE VALVE	1
10	111732	AUTO-RELIEF VALVE SEAT	1
11	111670	AUTO-RELIEF O-RING	1
12	111671	AUTO-RELIEF O-RING	1
13	111733	AUTO-RELIEF O-RING	1

NS - Not Shown

*** - Contact Allmand for more information.

2.7 - Air Lines

SN 19-00001 and UP



Maxi-Air 185

2.7 - Air Lines

SN 19-000001 and UP

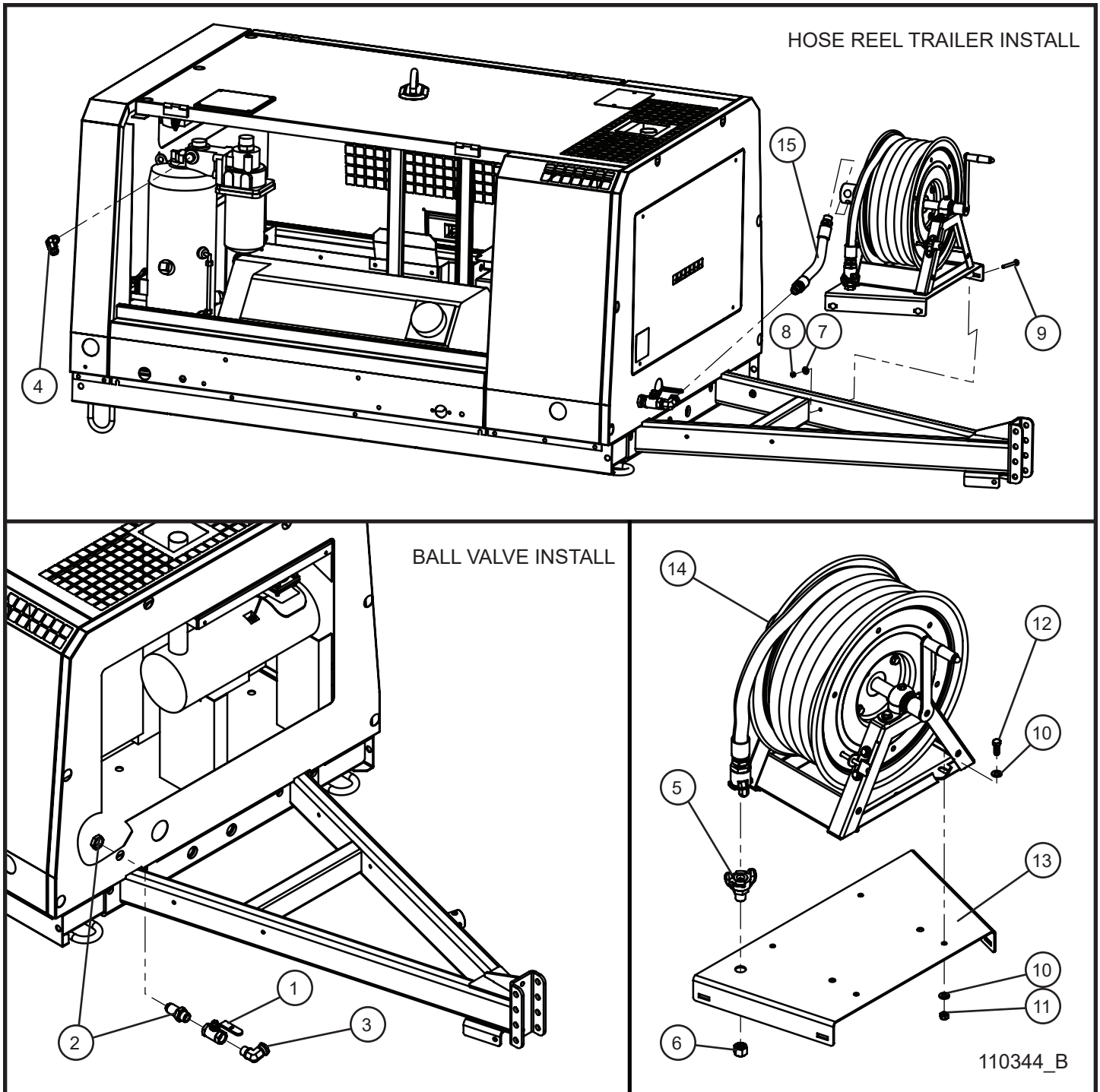
Item	Allmand No.	Part Description	Qty.
1	110592	JOINT	1
2	110599	BUSHING	1
3	110593	BUSHING	1
4	110594	BUSHING	1
5	110590	REGULATOR ASSEMBLY	1
6	110585	AIR PRESSURE GAUGE	1
7	110587	CORRUGATED TUBE	1
8	110595	NYLON TUBE	1
9	110598	NYLON TUBE	1
10	110596	NYLON TUBE	1
11	110597	NYLON TUBE	1
12	110586	NYLON TUBE,W/N	1
13	110601	NIPPLE ELBOW	5
14	110600	NIPPLE	3
15	110591	NIPPLE ELBOW	1
16	110588	NIPPLE ELBOW	1
17	110589	NIPPLE ELBOW	1
18	110602	NIPPLE	1

NS - Not Shown

*** - Contact Allmand for more information.

2.8 - Hose Reel Group

SN 19-000001 and UP



Maxi-Air 185

2.8 - Hose Reel Group

SN 19-000001 and UP

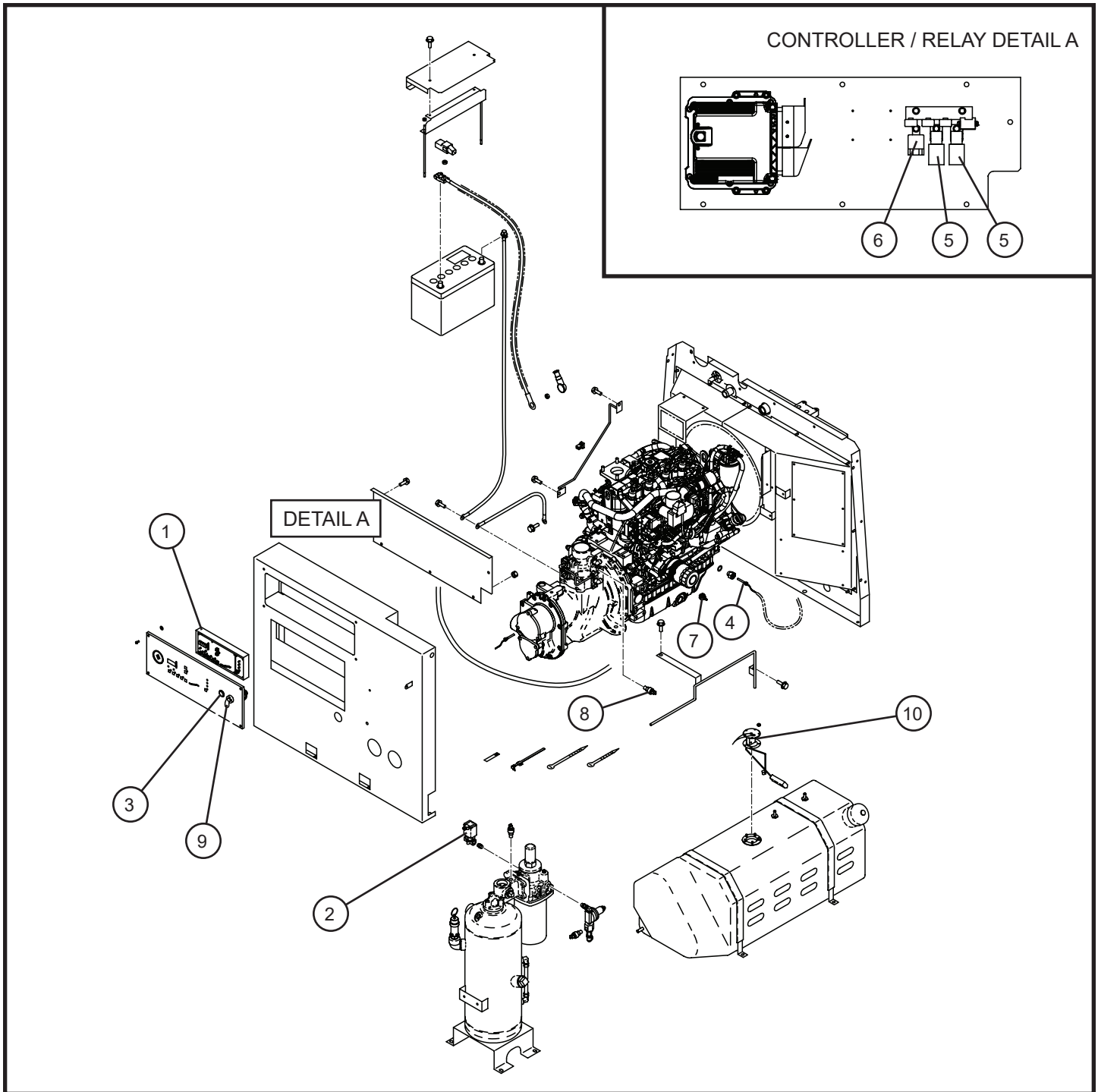
Item	Allmand No.	Part Description	Qty.
1	113790	BALL VALVE 3/4 NPT	1
2	113727	BULKHEAD FITTING 3/4 MNPT TO -12 JIC	1
3	113789	90° ELBOW FITTING 3/4 FNPT TO 3/4 MNPT	1
4	113788	90° ELBOW FITTING 3/4 MNPT TO -12 JIC	1
5	113792	CHICAGO TYPE FITTING 1/2 MNPT	1
6	105089	BRASS CAP 1/2 NPT	1
7	047010	5/16 FLAT WASHER	4
8	044033	5/16-18 NYLOCK HEX NUT	4
9	053030	5/16-18 x 2.75 CARRIAGE BOLT	4
10	047016	3/8 FLAT WASHER	8
11	044038	3/8-16 NYLOCK HEX NUT	4
12	046110	3/8-16 x 1 HEX HEAD BOLT	4
13	113783P	HOSE REEL MOUNT WELDMENT	1
14	113488	50 FT HAND CRANK HOSE REEL ASSEMBLY	1
	112012	HAND CRANK HOSE REEL	1
	110245	300 PSI AIR HOSE 3/4 NPT 600.00	1
	113791	CHICAGO TYPE FITTING 3/4 FNPT	1
15	110244	300 PSI AIR HOSE 3/4 NPT 17.00	1
NS	111569	1500 PSI AIR HOSE -12 JIC 102.00	1

NS - Not Shown

* * * - Contact Allmand for more information.

3.1 - Electrical Controller Group

SN 19-00001 and UP



Maxi-Air 185

3.1 - Electrical Controller Group

SN 19-000001 and UP

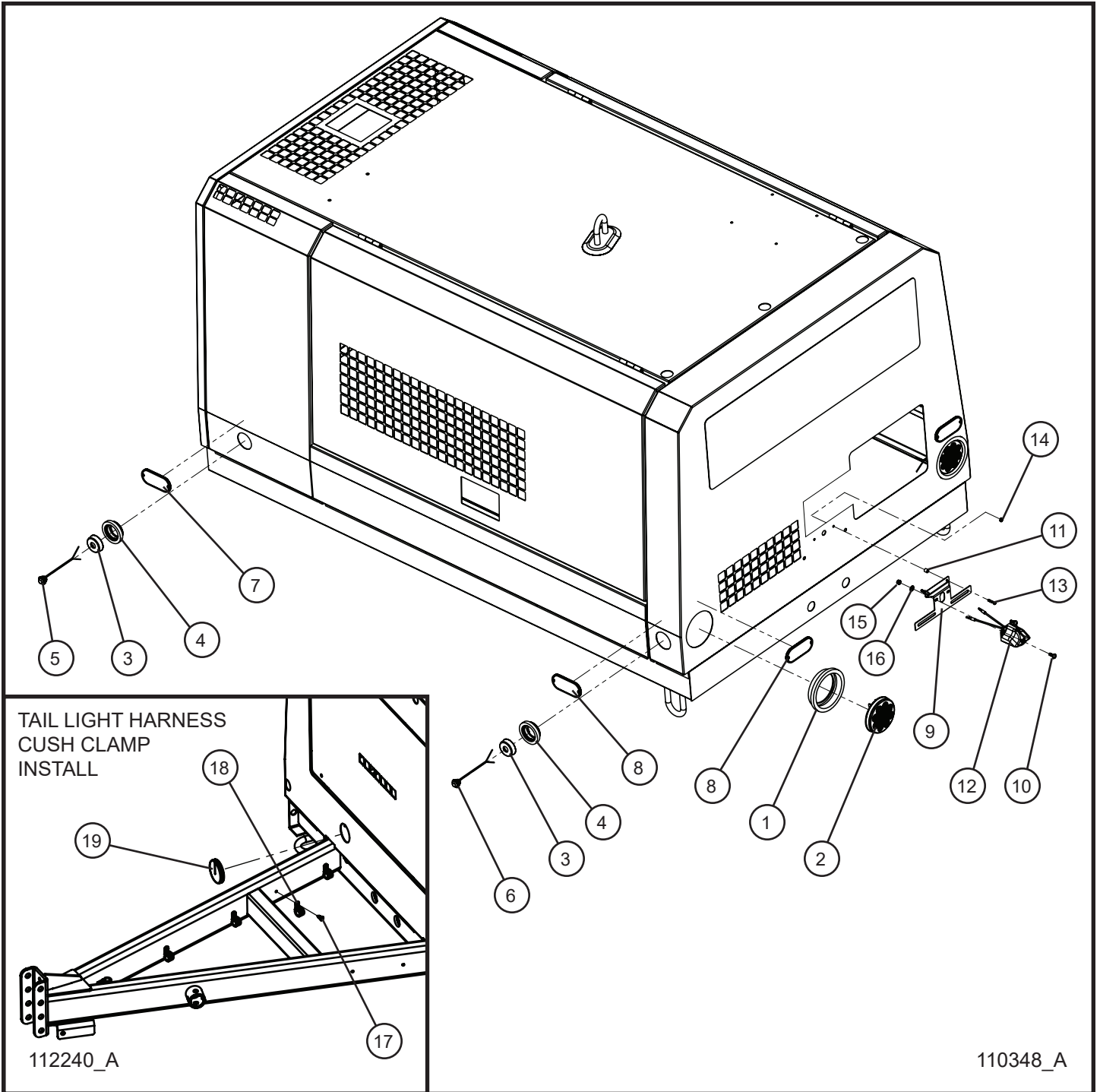
Item	Allmand No.	Part Description	Qty.
1	110537	CONTROLLER	1
2	110547	SOLENOID VALVE	1
	110546	SOLENOID VALVE	1
3	110542	LAMP	1
4	110536	THERMO SENSOR	2
5	110540	RELAY (HEATER & SOLENOID)	2
6	110539	RELAY (MAIN)	1
7	110544	PRESSURE SWITCH	1
8	110545	PRESSURE SWITCH	3
9	110535	STARTER SWITCH	1
10	110543	SENDING UNIT	1

NS - Not Shown

* * * - Contact Allmand for more information.

3.2 - Trailer Lighting Group (Old Style Harness)

SN 19-000001 and UP



Maxi-Air 185

3.2 - Trailer Lighting Group (Old Style Harness)

SN 19-000001 and UP

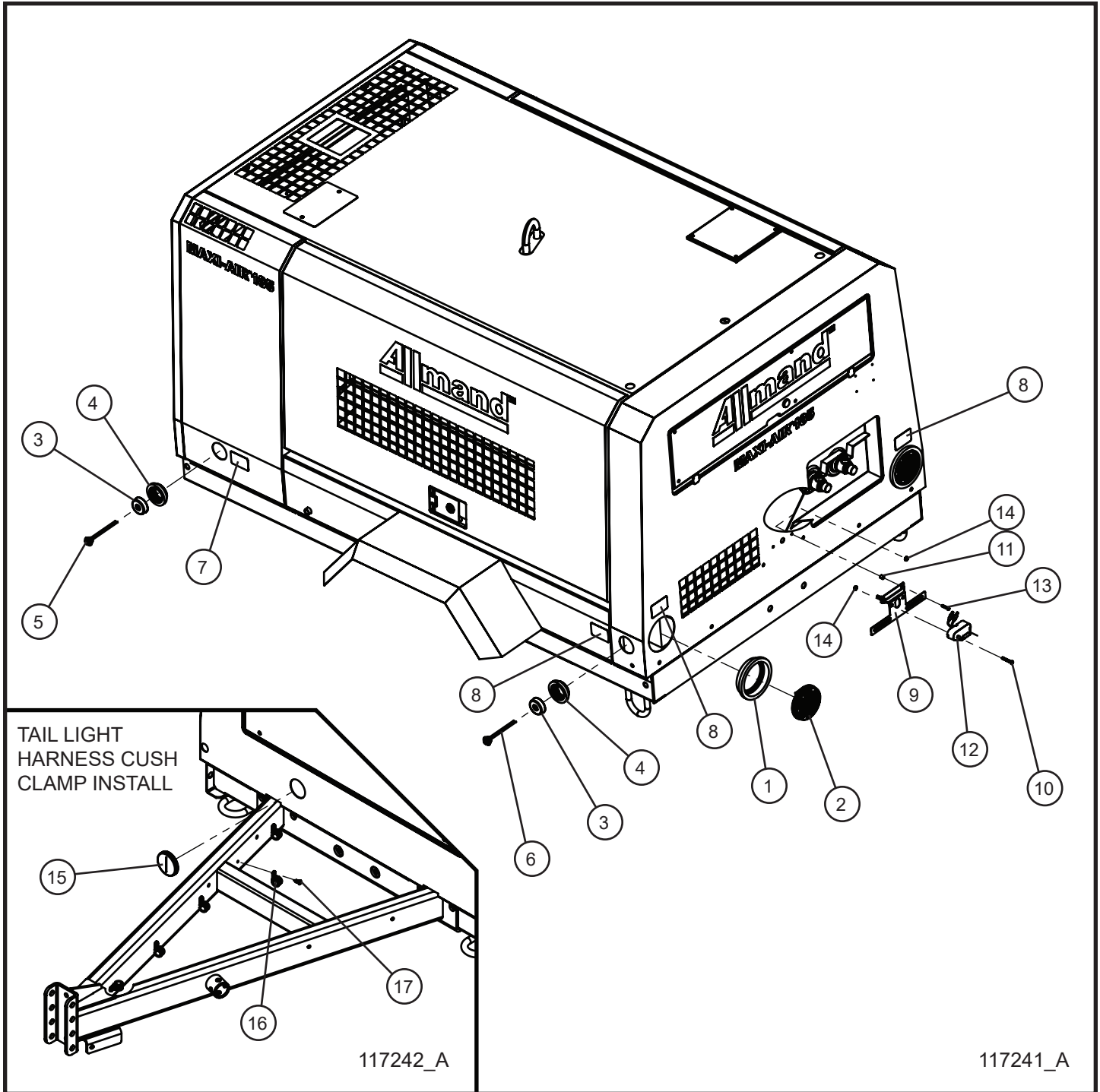
Item	Allmand No.	Part Description	Qty.
1	110260	4 IN. GROMMET TAIL LIGHT	2
2	110266	4 IN. 10-LED LIGHT STOP TURN TAIL LIGHT	2
3	110255	ADAPTOR MARKER LIGHT	4
4	110261	2 IN. GROMMET MARKER LIGHT	4
5	106212	LIGHT LED MARKER AMBER	2
6	106211	LIGHT LED MARKER RED	2
7	713527	REFLECTOR OVAL AMBER	2
8	713526	REFLECTOR OVAL RED	4
9	105349P	BRACKET LICENSE PLATE	1
10	041050	1/4-20 x 3/4 PH-TRUSS HEAD MS SS	2
11	022180	SPACER RICOHO	2
12	107605	MOUNT LED LIGHT CLEAR	1
13	041030	#10-24 x 1 PH-ROUND HEAD MS PL	2
14	044016	#10-24 KEPS HEX NUT PL	2
15	044023	1/4-20 NYLOCK HEX NUT PL	2
16	047009	1/4 FLAT WASHER SAE SS	2
17	110256	TRIM PANEL RETAINER	5
18	022014	#10 CUSH CLAMP .313 HOLE	5
19	110370	GROMMET SOLID 2.047 x 2.323 x .512	1
NS	111100	TAIL LIGHT HARNESS MAXI-AIR 185	1
NS	117082	TAIL LIGHT AND TAIL LIGHT HARNESS REPLACEMENT KIT	1
NS	112266	TAIL LIGHT HARNESS SCHEMATIC	1

NS - Not Shown

* * * - Contact Allmand for more information.

3.3 - Trailer Lighting Group (New Style Harness)

SN 19-000001 and UP



117242_A

117241_A

Maxi-Air 185

3.3 - Trailer Lighting Group (New Style Harness)

SN 19-000001 and UP

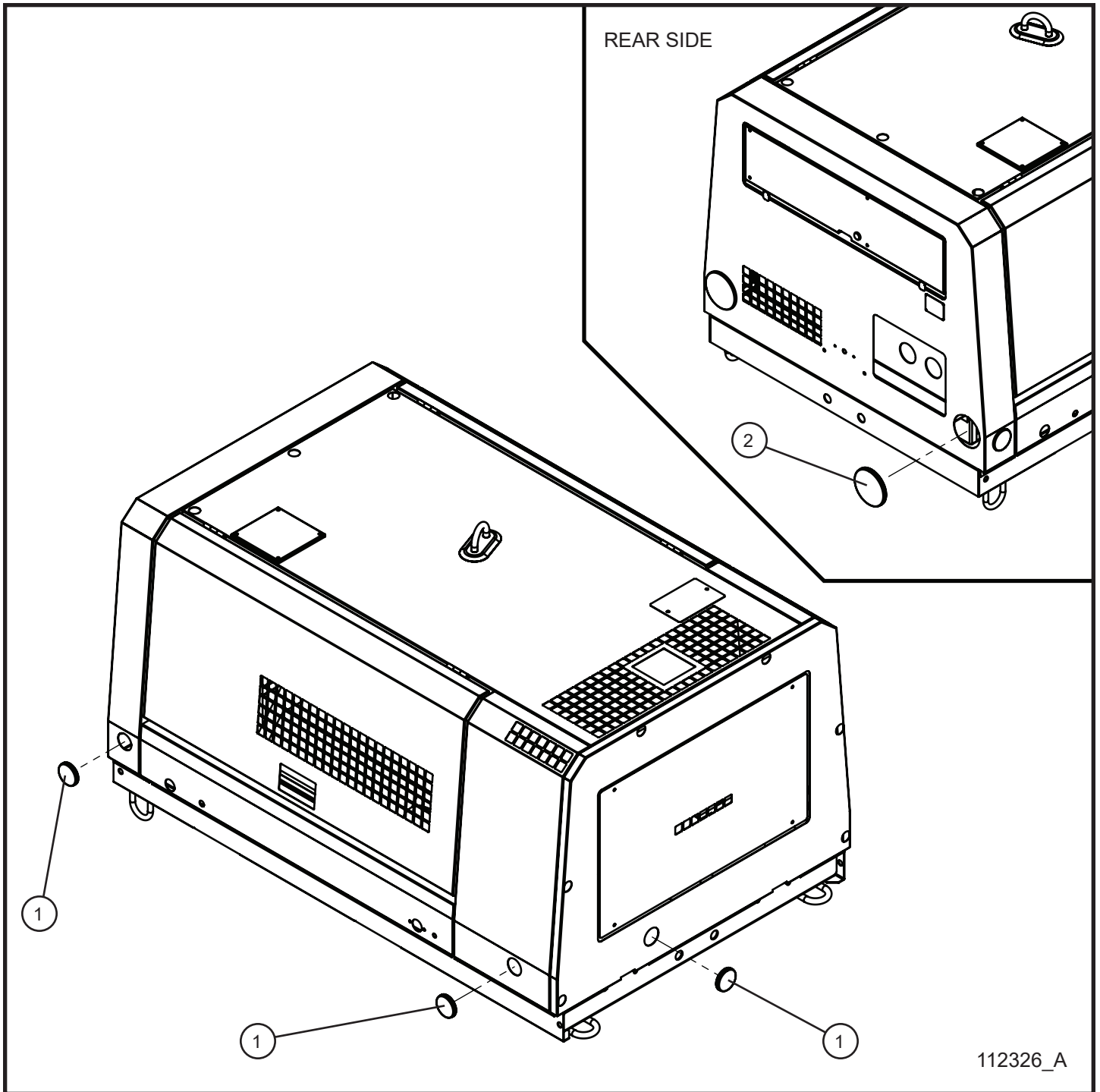
Item	Allmand No.	Part Description	Qty.
1	110260	GROMMET 4 INCH TAIL LIGHT	2
2	114898	4 IN. LED LIGHT STOP TURN TAIL LIGHT	2
3	110255	ADAPTER MARKER LIGHT 2 INCH TO 3/4 INCH	4
4	110261	GROMMET 2 INCH MARKER LIGHT	4
5	106212	AMBER LED BULLET MARKER LIGHT	2
6	106211	RED LED BULLET MARKER LIGHT	2
7	114884	REFLECTOR DECAL AMBER 2.75 x 1.75	2
8	115286	REFLECTOR DECAL RED 2.75 x 1.75	4
9	105349P	BRACKET LICENSE PLATE	1
10	041040	#10-24 x 1 1/2 PH-ROUND HEAD MACHINE SCREW	2
11	022180	SPACER RICOHO	2
12	115116	LICENSE PLATE LIGHT LED	1
13	041030	#10-24 x 1 PH-ROUND HEAD MACHINE SCREW	2
14	044016	#10-24 KEPS HEX NUT	4
15	110370	GROMMET SOLID	1
16	022014	#10 CUSH CLAMP	5
17	110256	TRIM PANEL RETAINER	5
NS	116154	MAXI-AIR 185 PL3 CONNECTOR TAIL LIGHT HARNESS	1
NS	117082	TAIL LIGHT AND TAIL LIGHT HARNESS REPLACEMENT KIT	1
NS	112266	MA 100, MA185, & NLV TAIL LIGHT HARNESS SCHEMATIC	1

NS - Not Shown

* * * - Contact Allmand for more information.

3.4 - Trailer Lighting Hole Covers

SN 19-000001 and UP



Maxi-Air 185

3.4 - Trailer Lighting Hole Covers

SN 19-000001 and UP

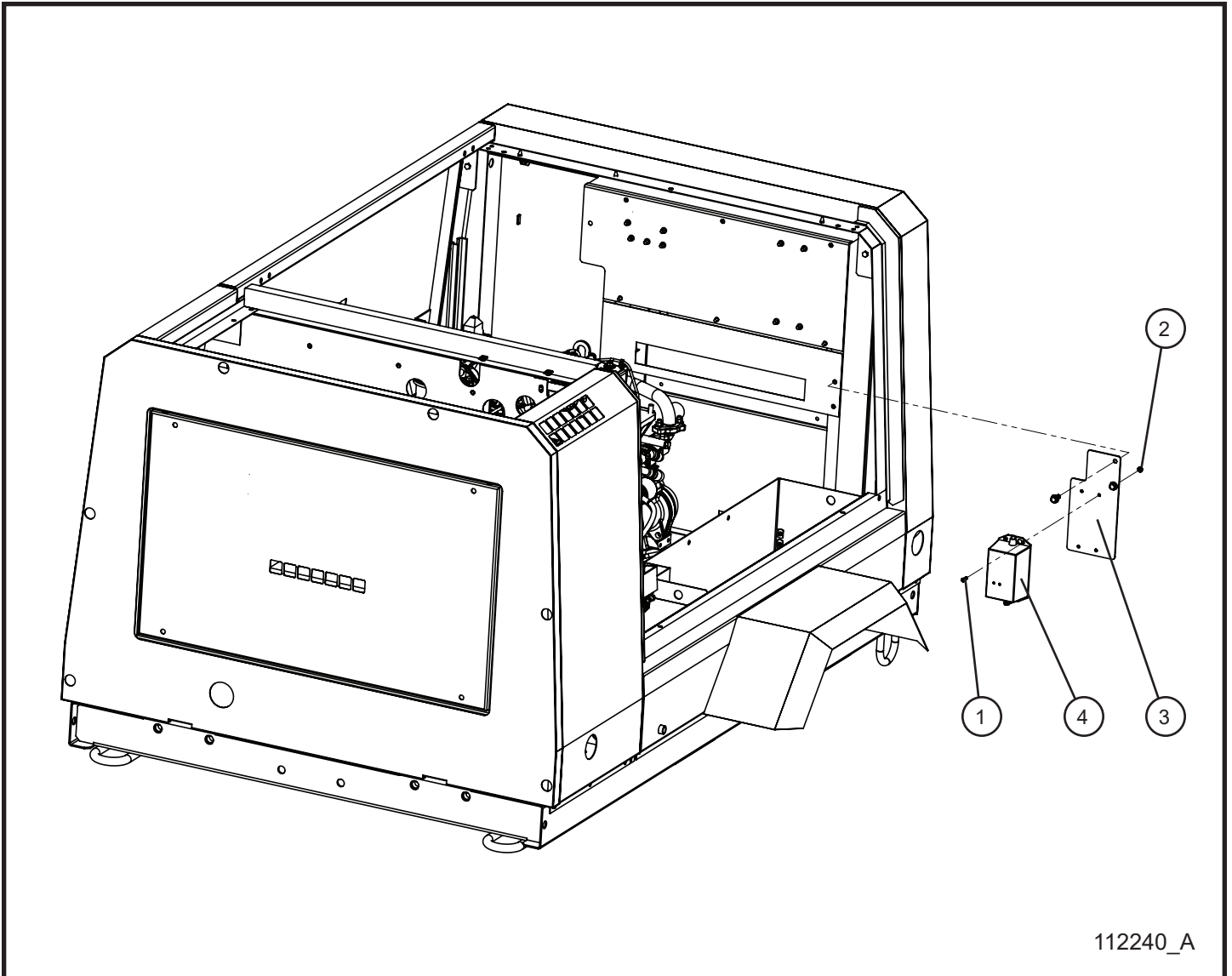
Item	Allmand No.	Part Description	Qty.
1	110370	GROMMET SOLID 2.047 x 2.323 x .512	5
2	112444	GROMMET SOLID 130 x 102 x 13mm	2

NS - Not Shown

* * * - Contact Allmand for more information.

3.5 - Battery Charger Option

SN 19-000001 and UP



Maxi-Air 185

3.5 - Battery Charger Option

SN 19-000001 and UP

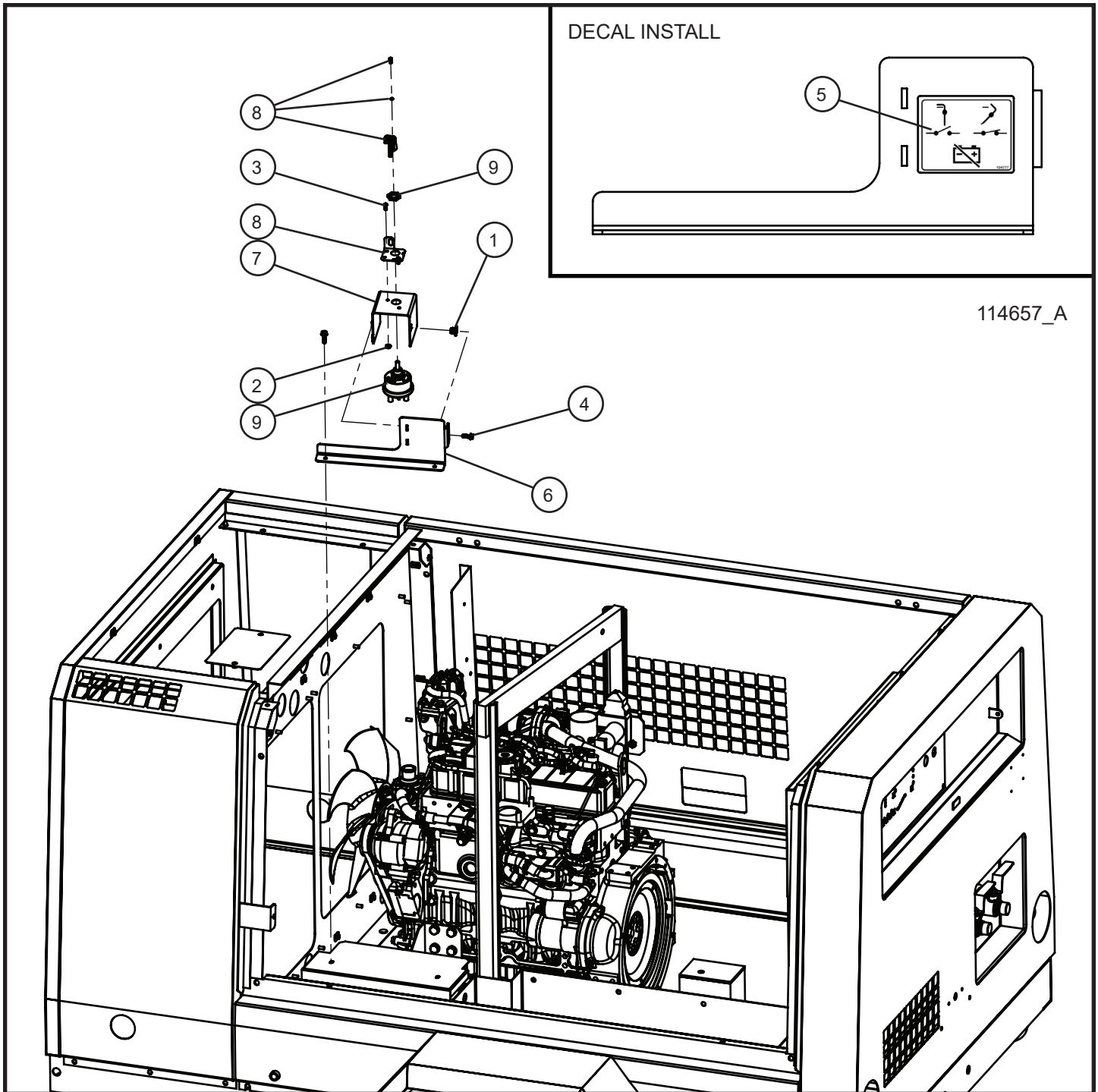
Item	Allmand No.	Part Description	Qty.
1	041027	#10-24 x 3/4 PH-ROUND HEAD MACHINE SCREW	4
2	044016	#10-24 KEPS HEX NUT	4
3	114785P	MOUNT BATTERY CHARGER	1
4	114778	BATTERY CHARGER MAXI-AIR 185	1
NS	022207	5/8" LOOM FLEX GUARD x 50 INCHES	1

NS - Not Shown

* * * - Contact Allmand for more information.

3.6 - Battery Disconnect Option

SN 19-000001 and UP



114657_A

Maxi-Air 185

3.6 - Battery Disconnect Option

SN 19-000001 and UP

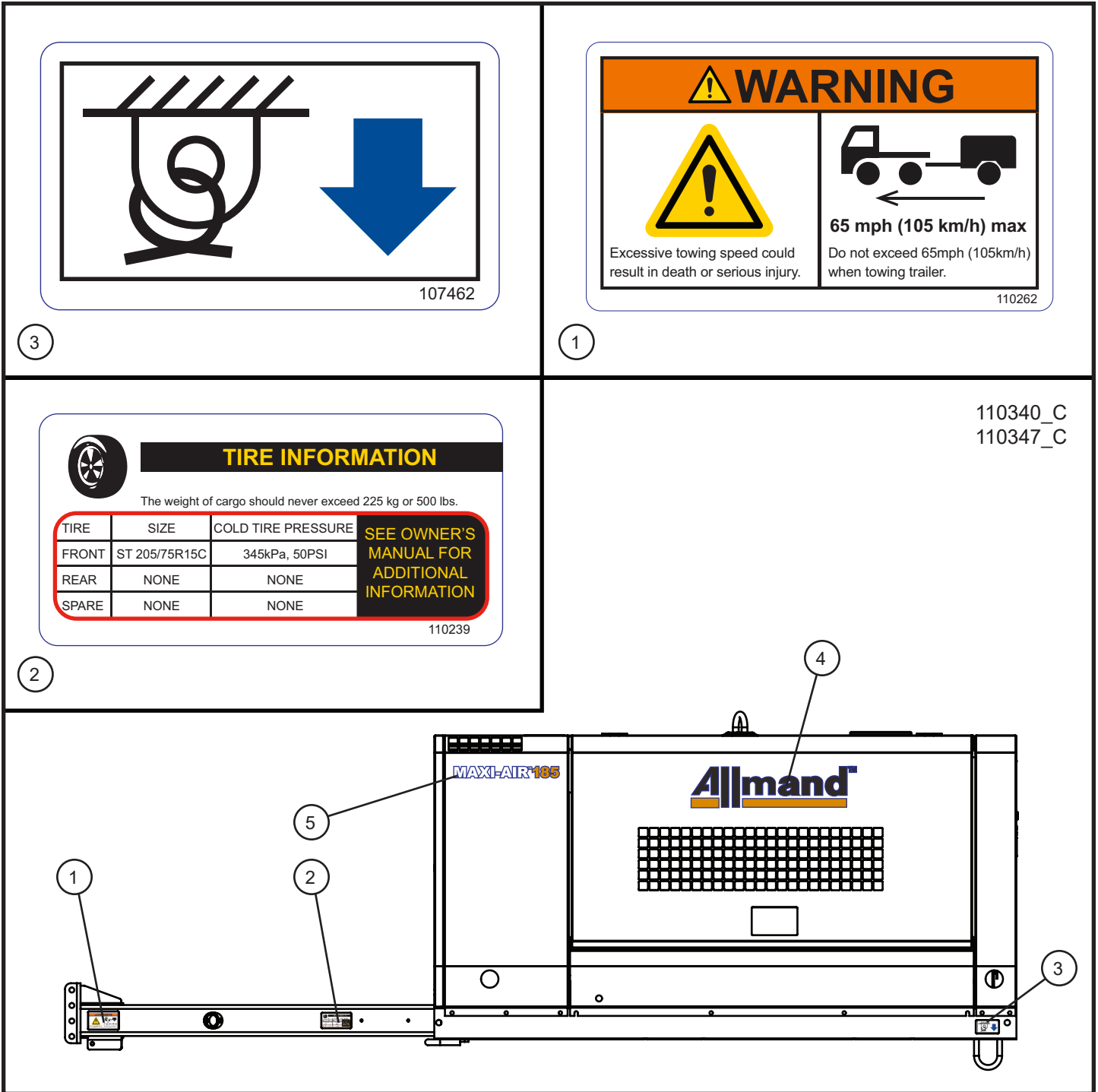
Item	Allmand No.	Part Description	Qty.
1	105408	GROMMET NUT DOUBLE SPLIT	1
2	044016	#10-24 KEPS HEX NUT	2
3	041024	#10-24 x 1/2 PH-ROUND HEAD MACHINE SCREW	4
4	041070	1/4-20 x 3/4 SL-HEX WASHER HEAD MACHINE SCREW	1
5	104777	BATTERY DISCONNECT DECAL	1
6	114661P	BATTERY DISCONNECT BOX MOUNT	1
7	114664P	BATTERY DISCONNECT BOX	1
8	103483	BATTERY DISCONNECT LOCK OUT	1
9	102534	BATTERY DISCONNECT SWITCH	1
NS	106466	NEGATIVE PARALLEL BATTERY CABLE	1

NS - Not Shown

* * * - Contact Allmand for more information.

4.1 - Left Side Decals

SN 19-000001 and UP



110340_C
110347_C

Maxi-Air 185

4.1 - Left Side Decals

SN 19-000001 and UP

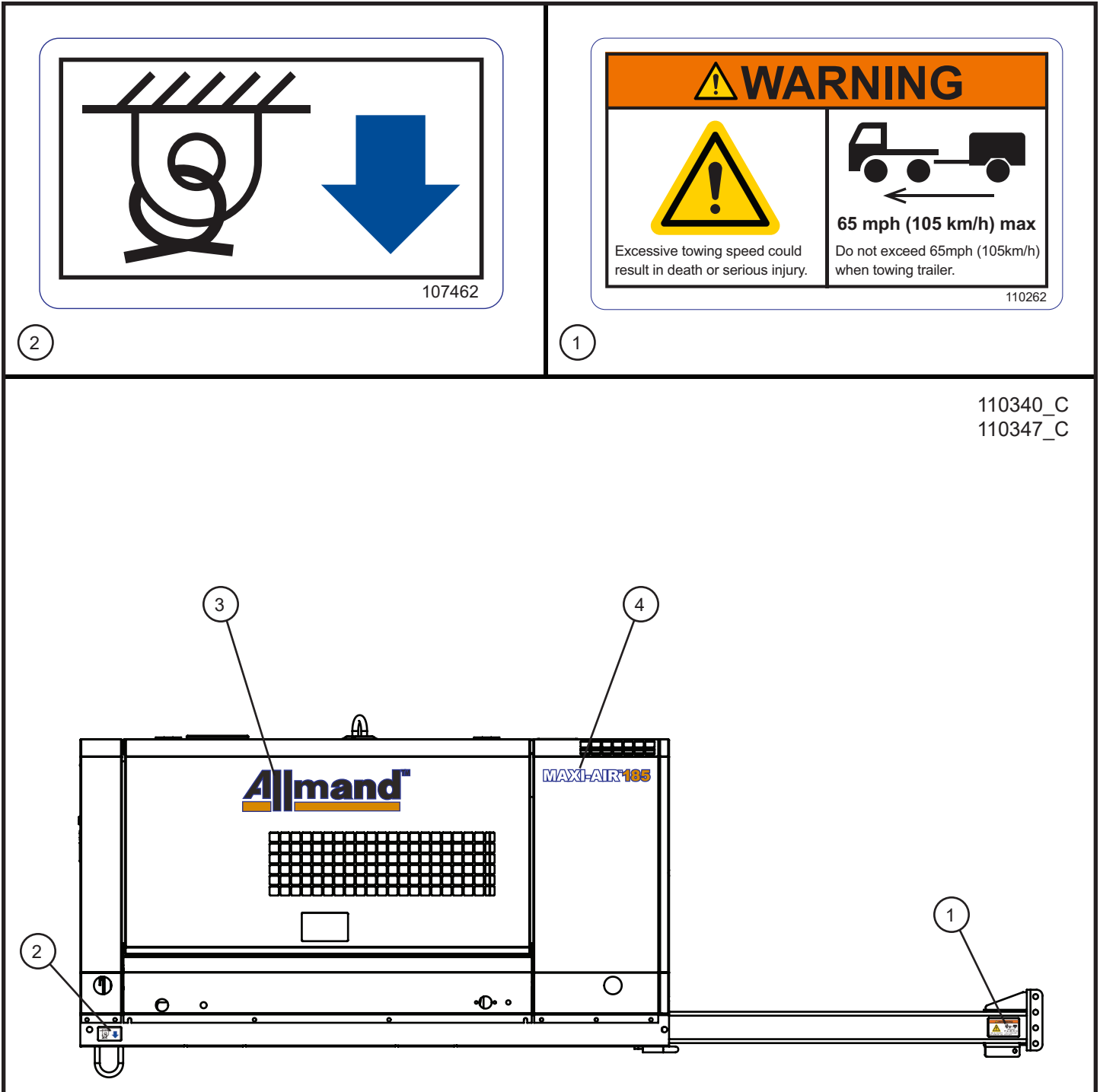
Item	Allmand No.	Hokuetsu No.	Part Description	Qty.
1	110262	n/a	EXCESSIVE TOWING WARNING DECAL	1
2	110239	n/a	TIRE INFORMATION DECAL	1
3	107462	n/a	TIE DOWN POSITION DECAL	1
4	110286	n/a	SMALL BLACK ALLMAND BRANDING DECAL	1
5	109018	n/a	MAXI-AIR 185 DECAL	1

NS - Not Shown

* * * - Contact Allmand for more information.

4.2 - Right Side Decals

SN 19-000001 and UP



Maxi-Air 185

4.2 - Right Side Decals

SN 19-000001 and UP

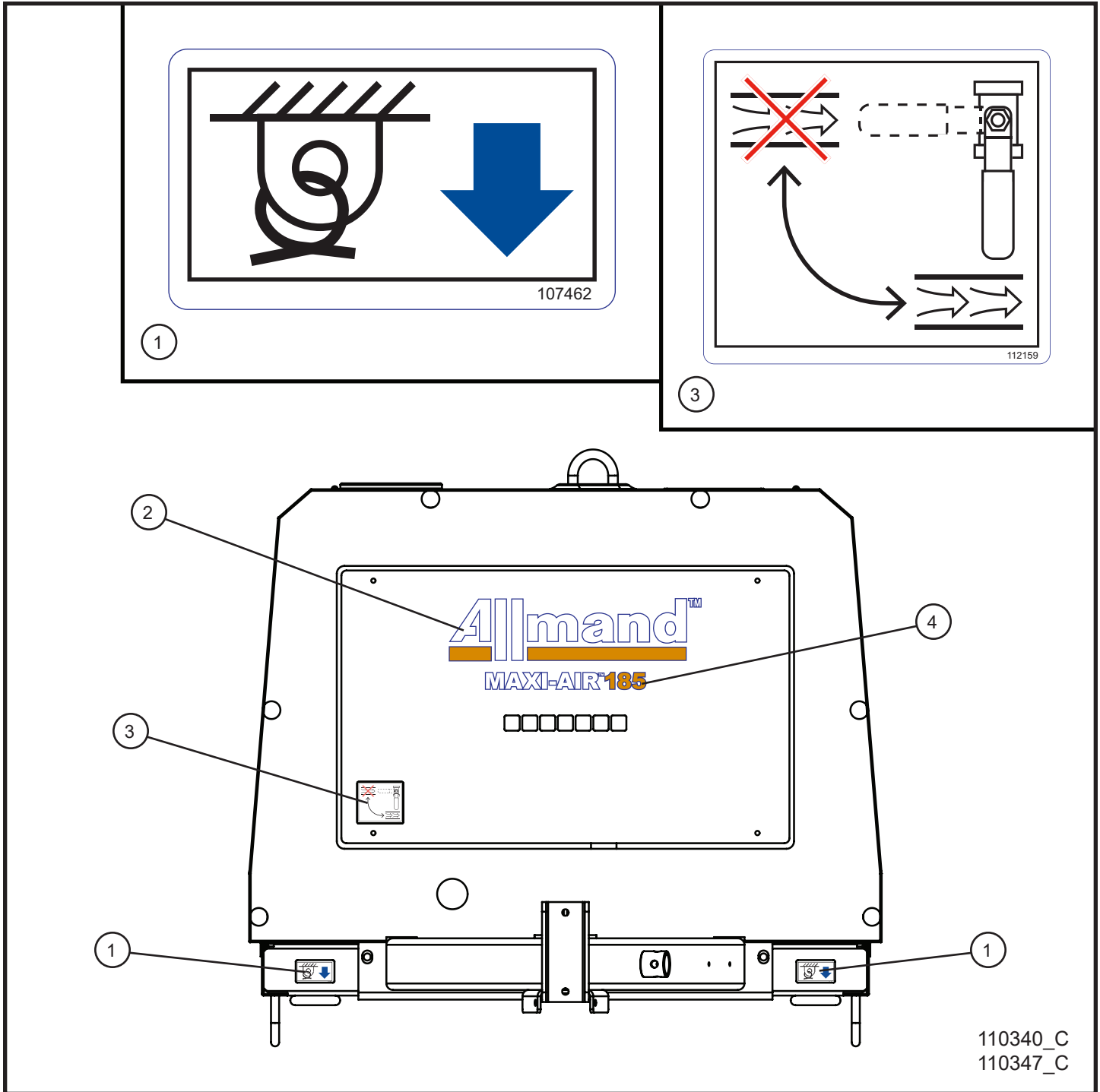
Item	Allmand No.	Hokuetsu No.	Part Description	Qty.
1	110262	n/a	EXCESSIVE TOWING WARNING DECAL	1
2	107462	n/a	TIE DOWN POSITION DECAL	1
3	110286	n/a	SMALL BLACK ALLMAND BRANDING DECAL	1
4	109018	n/a	MAXI-AIR 185 DECAL	1

NS - Not Shown

* * * - Contact Allmand for more information.

4.3 - Front Side Decals

SN 19-000001 and UP



Maxi-Air 185

4.3 - Front Side Decals

SN 19-000001 and UP

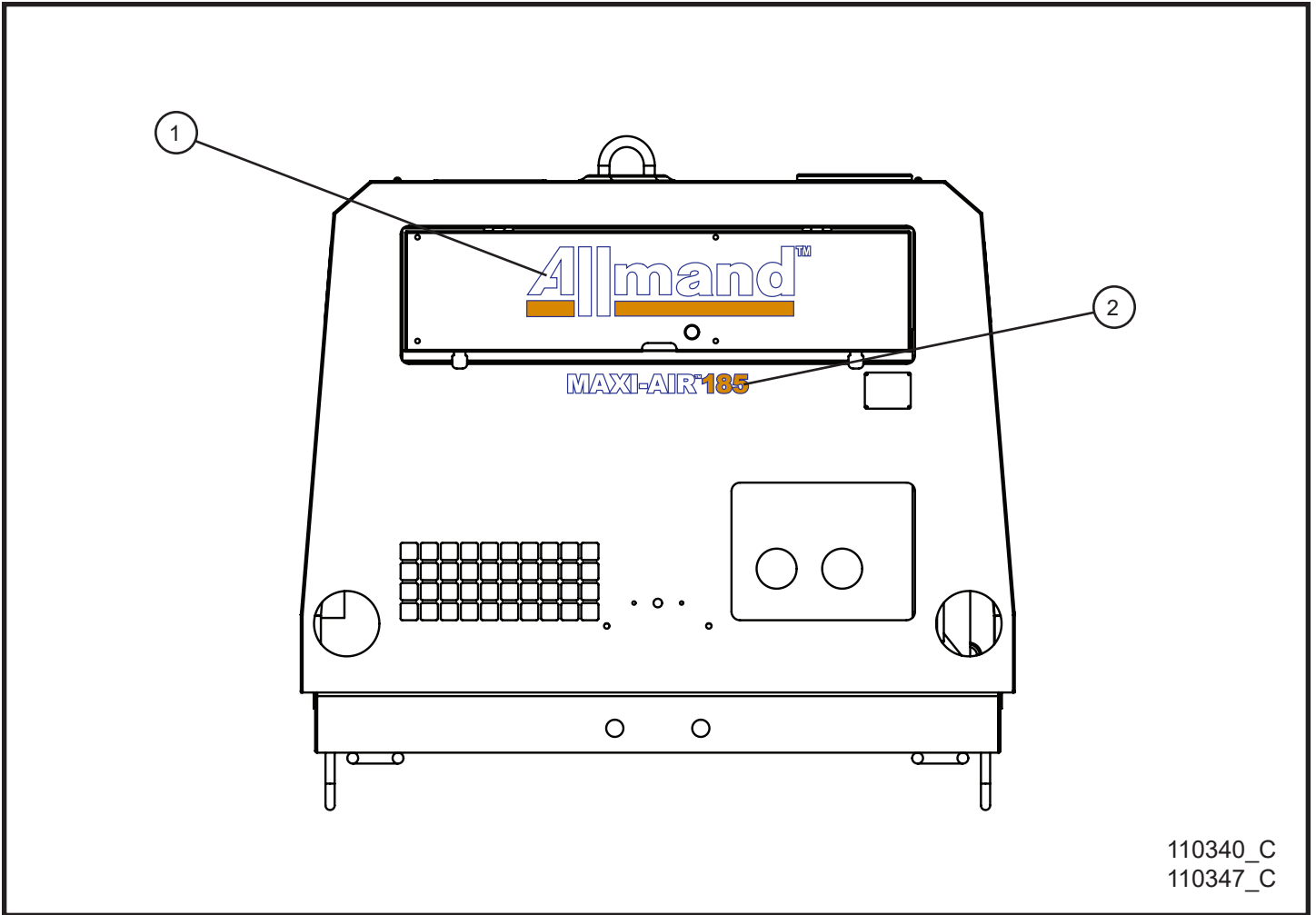
Item	Allmand No.	Hokuetsu No.	Part Description	Qty.
1	107462	n/a	TIE DOWN POSITION DECAL	2
2	110285	n/a	SMALL WHITE ALLMAND BRANDING DECAL	1
3	112159	n/a	HOSE REEL ON/OFF VALVE DECAL	1
4	109018	n/a	MAXI-AIR 185 DECAL	1

NS - Not Shown

* * * - Contact Allmand for more information.

4.4 - Rear Side Decals

SN 19-000001 and UP



110340_C
110347_C

Maxi-Air 185

4.4 - Rear Side Decals

SN 19-000001 and UP

Item	Allmand No.	Hokuetsu No.	Part Description	Qty.
1	110285	n/a	SMALL WHITE ALLMAND BRANDING DECAL	1
2	109018	n/a	MAXI-AIR 185 DECAL	1

NS - Not Shown

* * * - Contact Allmand for more information.

Allmand™

BRIGHTER. WARMER. SAFER.

Allmand Bros., Inc.
1502 West 4th Avenue
Holdrege, NE 68949
phone: (308) 995-4495 • toll free: (800) 562-1373
fax: (308) 995-5887

www.allmand.com



Reliability, performance, and integrity since 1938

13-0267