

Allmand™

Brighter. Warmer. Safer.

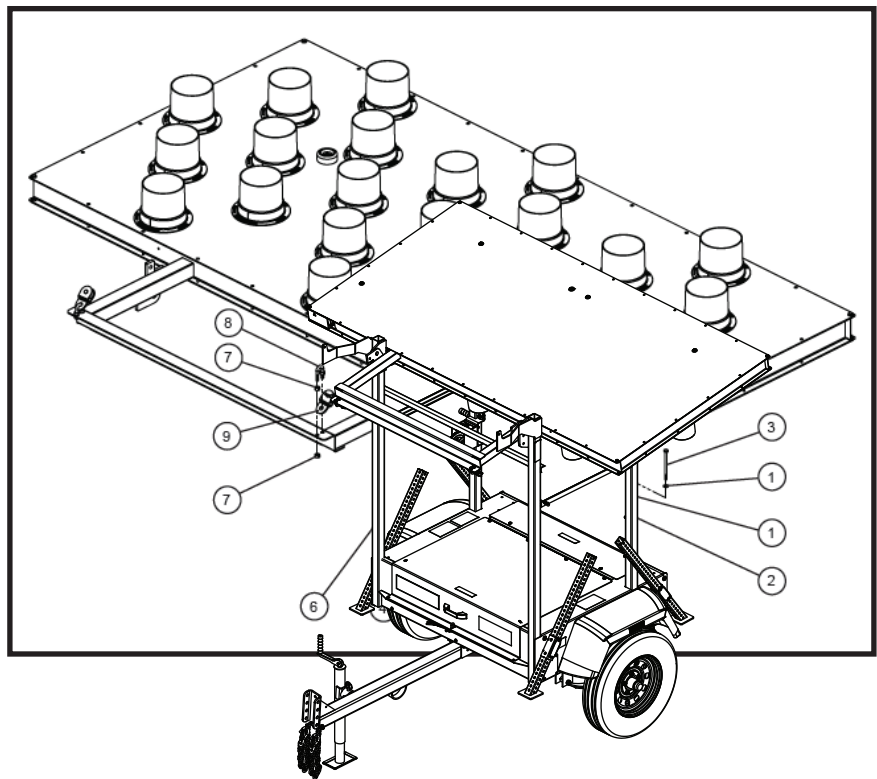
**Portable
Industrial
Heaters**

**Portable
Light Towers**

**Portable
Light Stands**

**Solar Flashing
Arrow Boards**

(en) **Parts Manual**
ECLIPSE® ARROWBOARD 2400



Copyright © 2016 Allmand Bros., Inc.
Holdrege, NE, USA. All rights reserved.

Part No.: 110293
Revision: A
Serial No.: 02-00001 and UP

LIGHT TOWER APP



Reliability, Performance, and Integrity Since 1938

www.allmand.com

TABLE OF CONTENTS

1.0 FRAME/AXLE/TONGUE/JACK STANDS

Axle Group	(1.1)
Tongue Group	(1.2)
Tongue Coupler Options	(1.3)
Frame and Jack Stands	(1.4)

2.0 TRAILER PARTS

Trailer Base Parts Group	(2.1)
Winch Cable and Sign Board Install Group	(2.2)
Tail Light and License Plate Bracket	(2.3)
Single AGM Battery	(2.4)
Double AGM Battery	(2.5)
Single 8D Battery	(2.6)
Double 8D Battery	(2.7)
Battery Charger	(2.8)
Manual Canister	(2.9)

3.0 LED SIGN BOARD AND SOLAR PANEL PARTS

15 Light LED Sign Board Parts	(3.1)
25 Light LED Sign Board Parts	(3.2)
Sign Board Back Parts	(3.3)
Sign Board Controller Logic and Pulley Install Group	(3.4)
Single 50 Watt Solar Panel Group	(3.5)
Double 50 Watt Solar Panel Group	(3.6)
Solar Panel Charge Controller	(3.7)

4.0 ECLIPSE ARROWBOARD 2400 DECALS

AB 2400 Top Side Decals	(4.1)
AB 2400 Left Side Decals	(4.2)
AB 2400 Right Side Decals	(4.3)
AB 2400 Battery Hood Decals	(4.4)

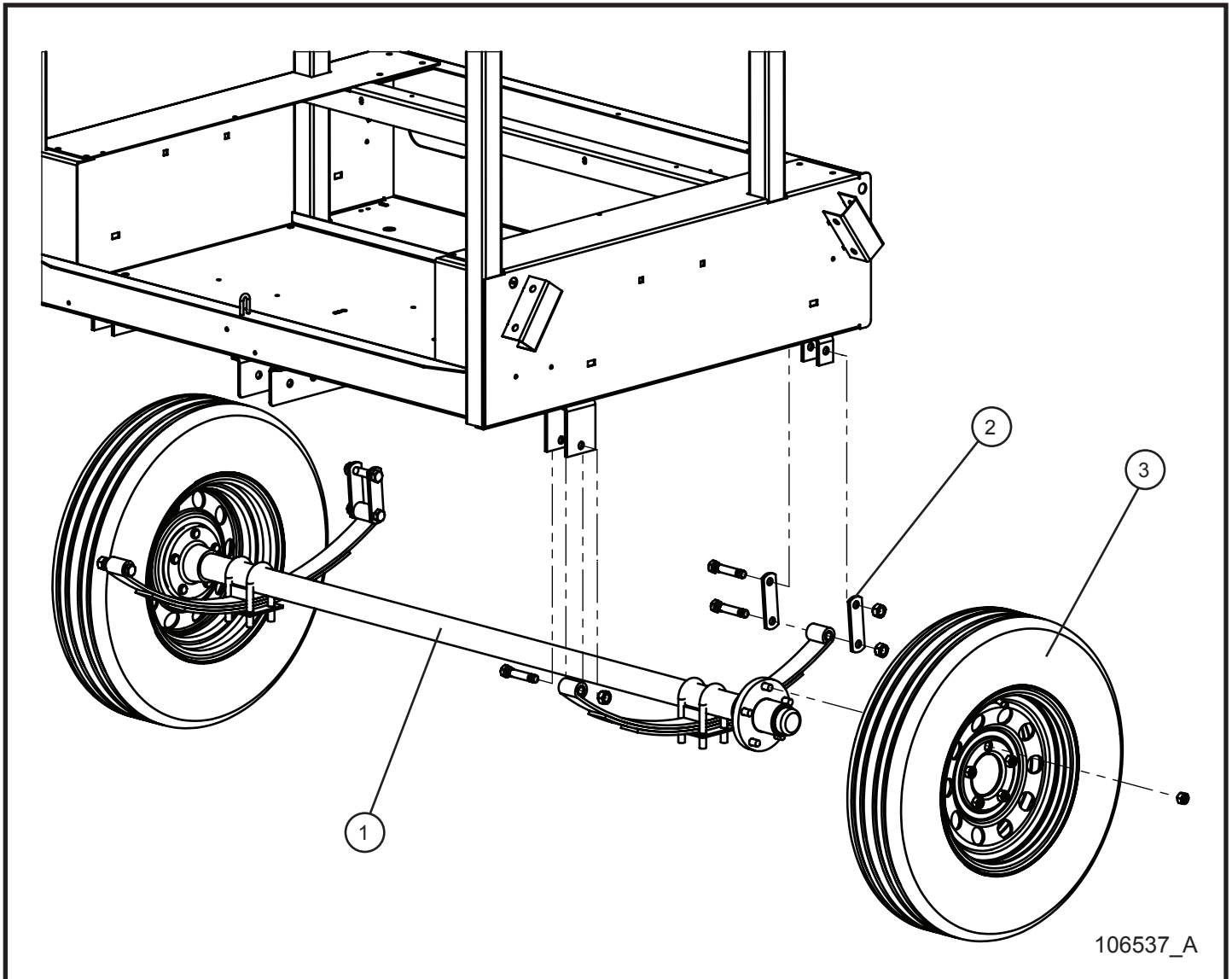
TABLE OF CONTENTS

4.0 ECLIPSE ARROWBOARD 2400 DECALS (Continued)

AB 2400 Front Side Decals	(4.5)
AB 2400 Rear Side Decals	(4.6)
AB 2400 Wordless Top Side Decals	(4.7)
AB 2400 Wordless Left Side Decals	(4.8)
AB 2400 Wordless Right Side Decals	(4.9)
AB 2400 Wordless Battery Hood Decals	(4.10)

1.1 Axle Group

SN 02-000001 and UP



Eclipse® AB 2400

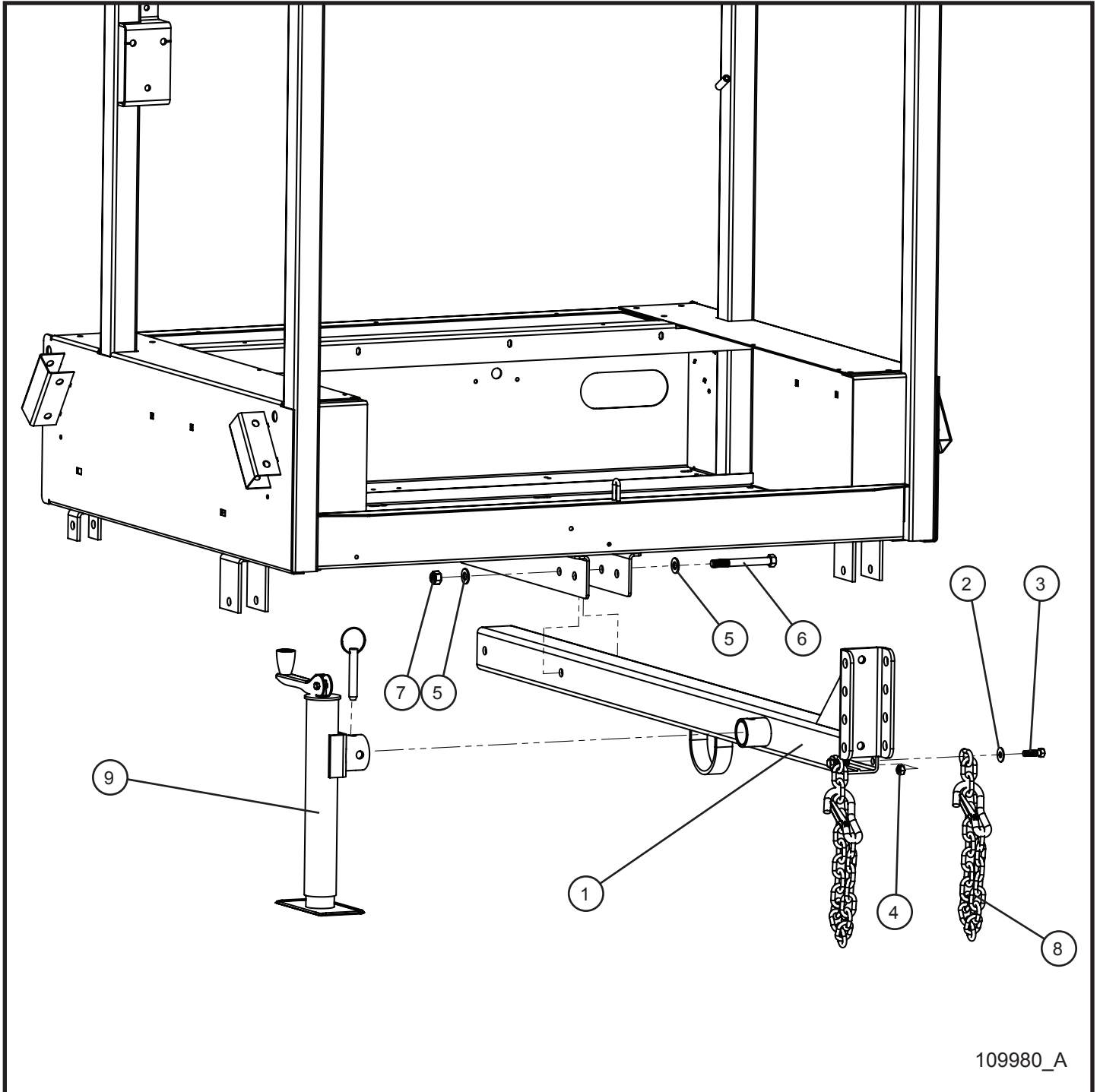
1.1 Axle Group

SN 02-000001 and UP

Item	Part No.	Part Description	Qty.
1	113635	AXLE 13" WHEEL HUBS ARROWBOARD	1
2	102106	AXLE HARDWARE KIT LONG	1
3	650387-13	13" TIRE AND WHEEL	2

1.2 Tongue Group

SN 02-000001 and UP



109980_A

Eclipse® AB 2400

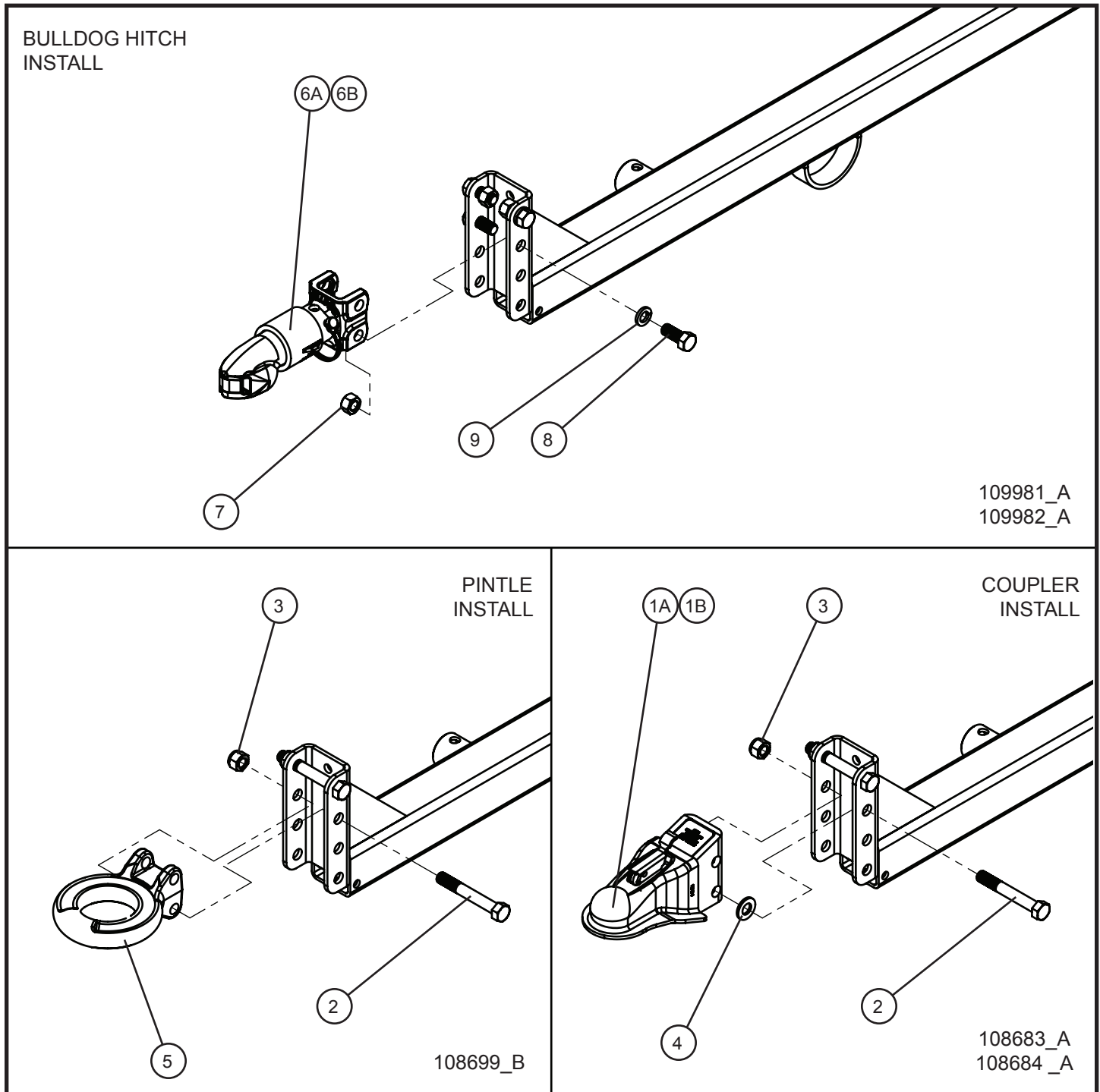
1.2 Tongue Group

SN 02-000001 and UP

Item	Part No.	Part Description	Qty.
1	108859P	ADJUSTABLE TUBE MOUNT TONGUE	1
2	047015	3/8 FLAT WASHER PL	2
3	046159	7/16-14 x 1 1/4 HEX HEAD CS GR5 PL	2
4	044038	7/16-14 NYLOCK HEX NUT PL	2
5	047025	1/2 FLAT WASHER PL	4
6	046225	1/2-13 x 4 1/2 HEX HEAD CS GR5 PL	2
7	044048	1/2-13 NYLOCK HEX NUT PL	2
8	049040	SAFETY CHAIN	2
9	108726	TOP CRANK TUBE MOUNT JACK	1

1.3 Tongue Coupler Options

SN 02-000001 and UP



Eclipse® AB 2400

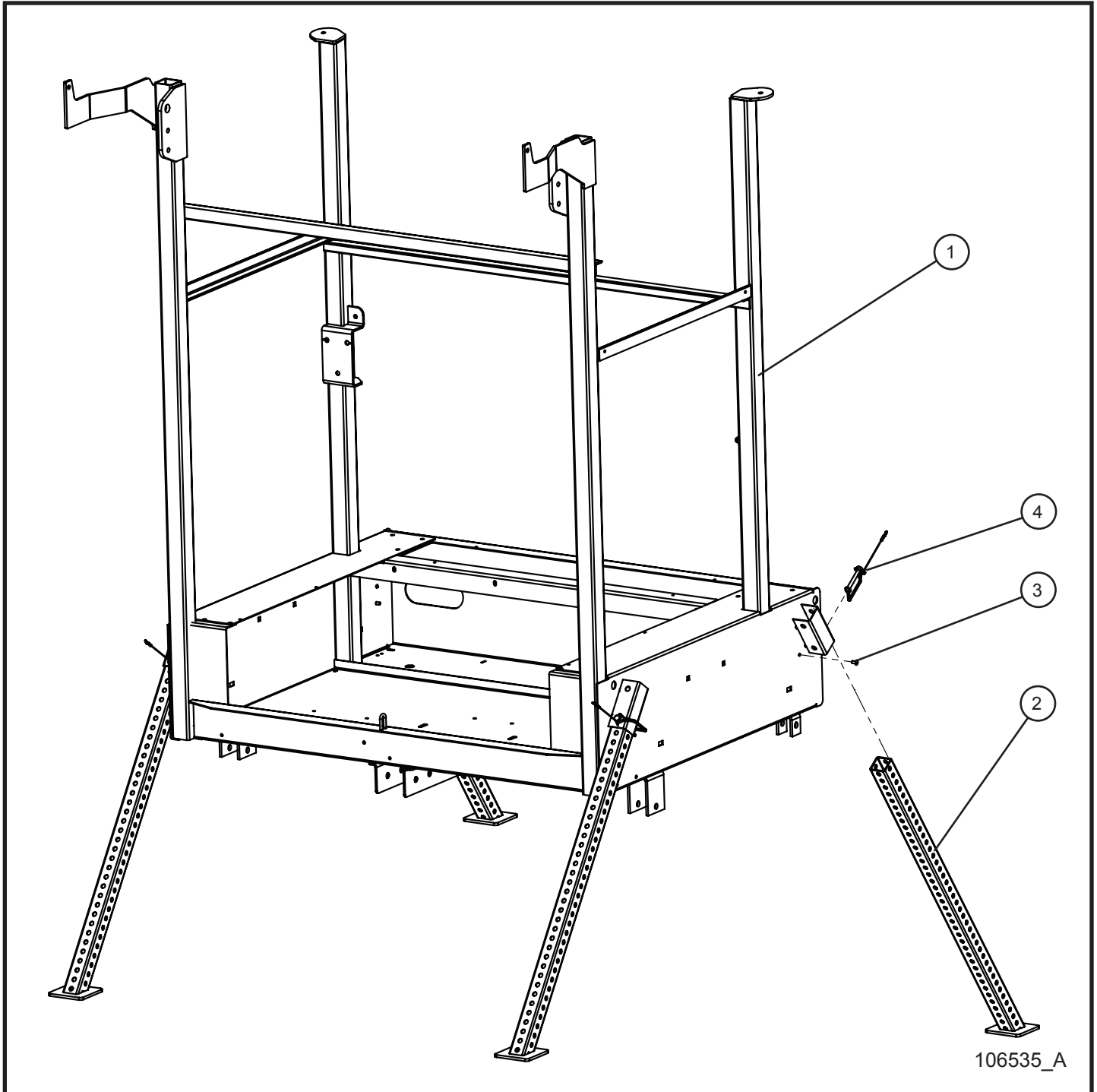
1.3 Tongue Coupler Options

SN 02-000001 and UP

Item	Part No.	Part Description	Qty.
1A	109977	COUPLER BALL 2.00 ADJUSTABLE STAMPED	1
1B	109976	COUPLER BALL 2.313 ADJUSTABLE STAMPED	1
2	046250	5/8-11 x 4 1/2 HEX HEAD CS GR5 PL	2
3	044053	5/8-11 NYLOCK HEX NUT PL	2
4	047031	5/8 FLAT WASHER HDND PL	2
5	106720	RING PINTLE 3.00 ADJUSTABLE	1
6A	109978	COUPLER BALL 2.00 BULLDOG HITCH 7,000 LBS	1
6B	109979	COUPLER BALL 2.313 BULLDOG HITCH 12,500 LBS	1
7	044050	5/8-11 HEX NUT PL	4
8	046245	5/8-11 x 1 1/2 HEX HEAD CS GR5 PL	4
9	043101	5/8 SPLITLOCK WASHER PL	4

1.4 Frame and Jack Stands

SN 02-000001 and UP



106535_A

Eclipse® AB 2400

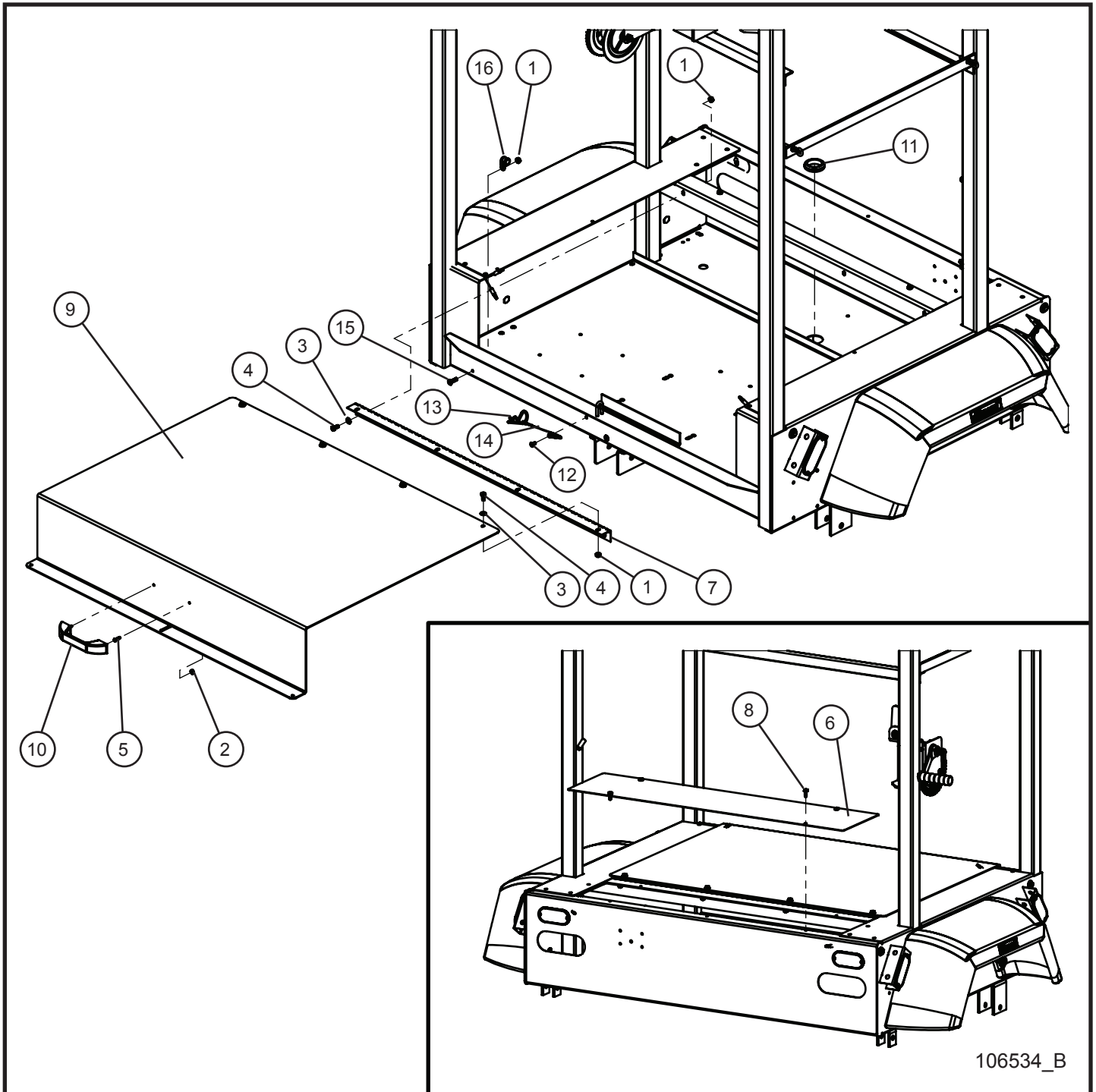
1.4 Frame and Jack Stands

SN 02-000001 and UP

Item	Part No.	Part Description	Qty.
1	106265P	ARROWBOARD TRAILER FRAME	1
2	106524P	JACK STAND WELDMENT AB 2400	4
3	045118	1/4 x 1/2 RIVET	4
4	712062	PIN W/ STEEL LANYARD	4

2.1 Trailer Base Parts Group (1 of 3)

SN 02-000001 and UP



Eclipse® AB 2400

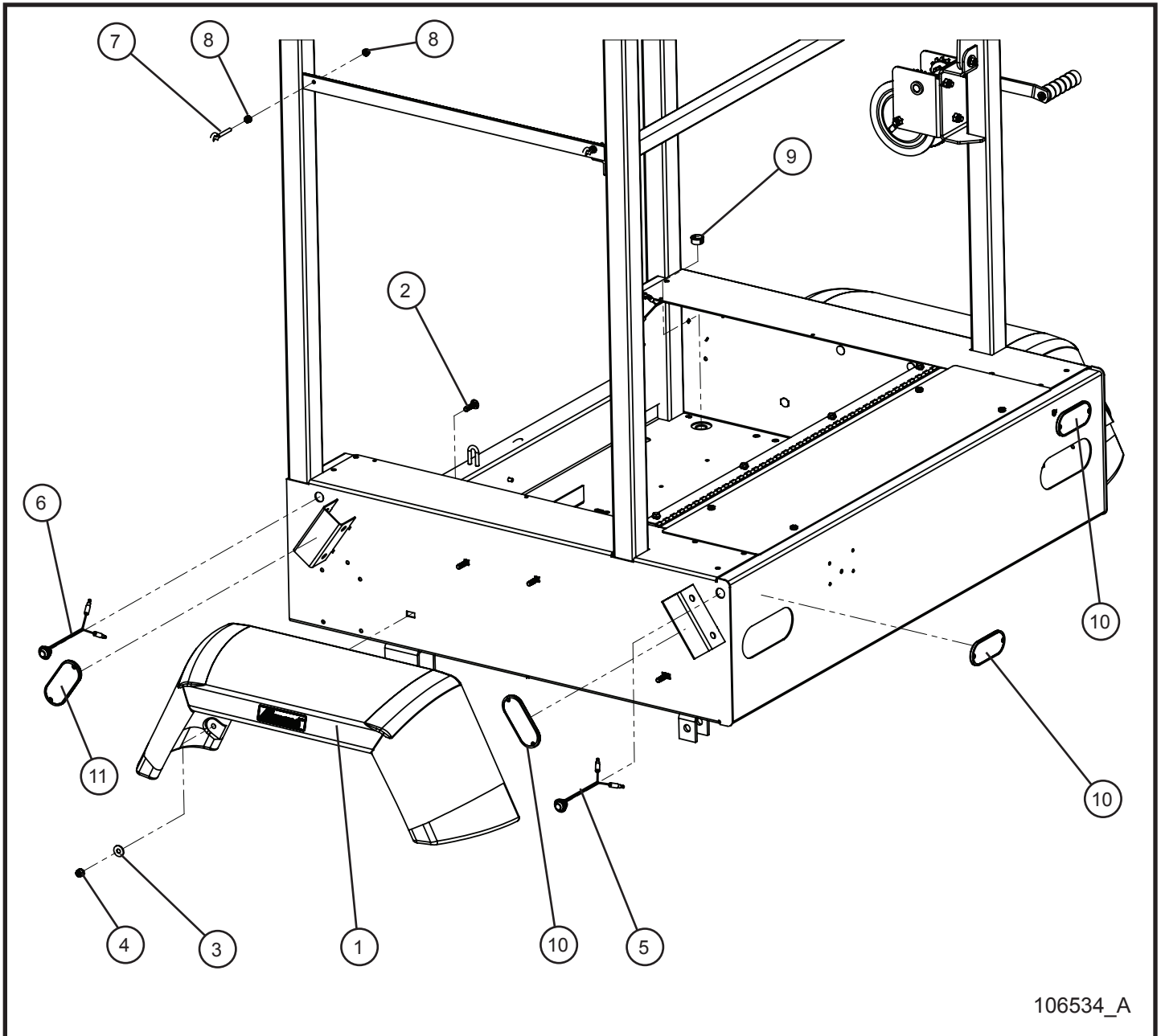
2.1 Trailer Base Parts Group (1 of 3)

SN 02-000001 and UP

Item	Part No.	Part Description	Qty.
1	044021	1/4-20 KEPS HEX NUT PL	10
2	044016	#10-24 KEPS HEX NUT PL	2
3	047005	1/4 FLAT WASHER PL	8
4	046006	1/4-20 x 5/8 HEX HEAD CS GR5 PL	8
5	041027	#10-24 x 3/4 MS MACHINE SCREW	2
6	106527P	COVER BACK COMPARTMENT	1
7	714154	HINGE HOOD	1
8	041070	1/4-20 x 3/4 SL-HEX WASHER HEAD MS TP F	4
9	106526P	BATTERY HOOD	1
10	712395	HANDLE	1
11	106542	GROMMET RUBBER 1.5" ID	1
12	045118	1/4 x 1/2 RIVET	1
13	045015	HAIR COTTER PIN 3/16 x 3 1/4	1
14	712061	STEEL LANYARD	1
15	041080	1/4-20 x 1 PH-TRUSS MS SS	2
16	022022	#8 CUSH CLAMP 1/4 HOLE S325G8	2

2.1 Trailer Base Parts Group (2 of 3)

SN 02-000001 and UP



106534_A

Eclipse® AB 2400

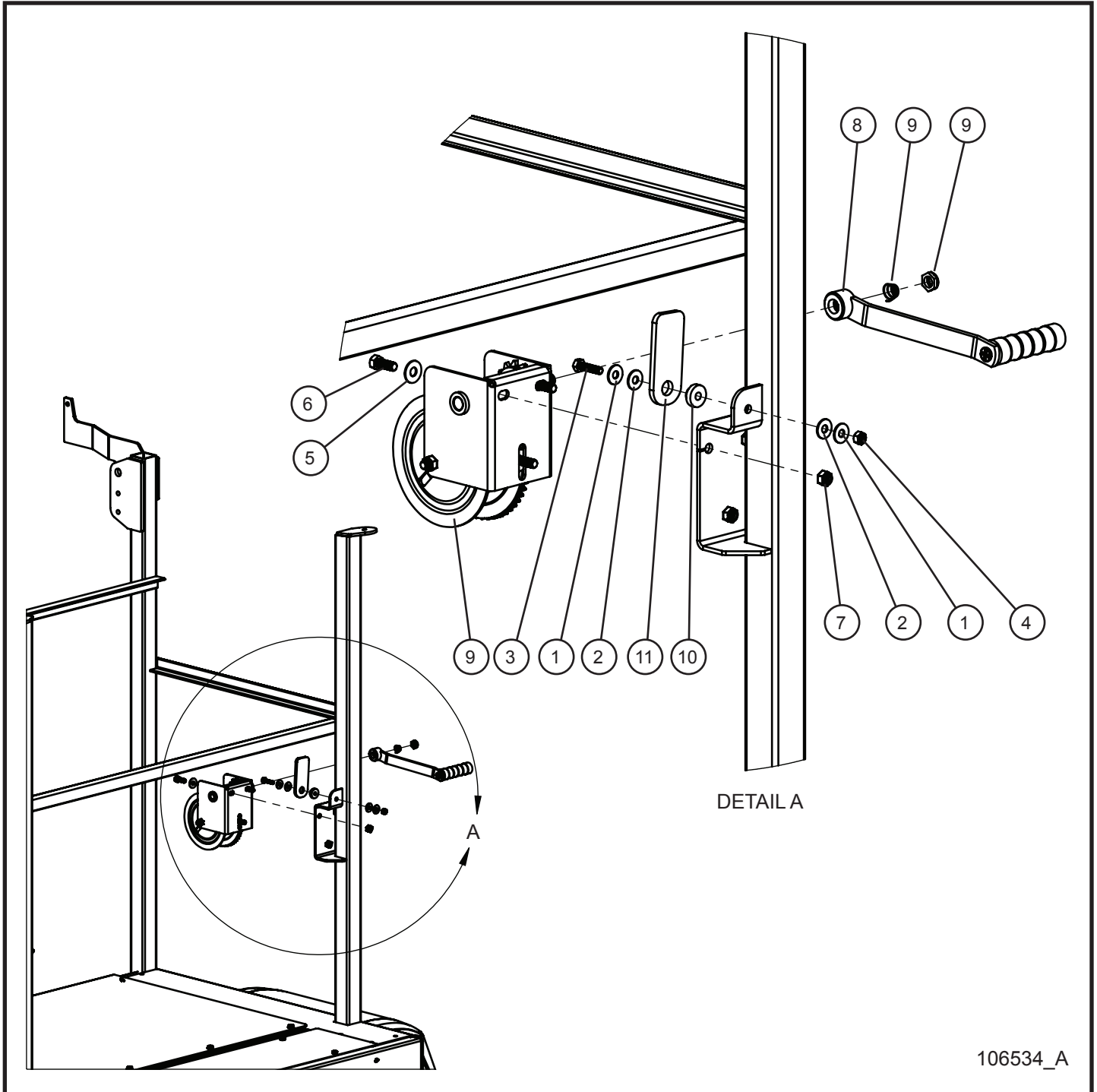
2.1 Trailer Base Parts Group (2 of 3)

SN 02-000001 and UP

Item	Part No.	Part Description	Qty.
1	650297	FENDER ROTATION MOLDED 13 INCH	2
2	053022	5/16-18 x 1 1/4 CARRIAGE BOLT PL	8
3	047010	5/16 FLAT WASHER PL	8
4	044031	5/16-18 KEPS NEX NUT PL	8
5	106211	LIGHT LED MARKER RED	2
6	106212	LIGHT LED MARKER AMBER	2
7	045066	BOLT EYE 1/4-20 x 1 ZINC	2
8	044021	1/4-20 KEPS HEX NUT PL	4
9	022133	11/16 LOCKING BUSHING	1
10	713526	REFLECTOR OVAL RED	4
11	713527	REFLECTOR OVAL AMBER	2

2.1 Trailer Base Parts Group (3 of 3)

SN 02-000001 and UP



106534_A

Eclipse® AB 2400

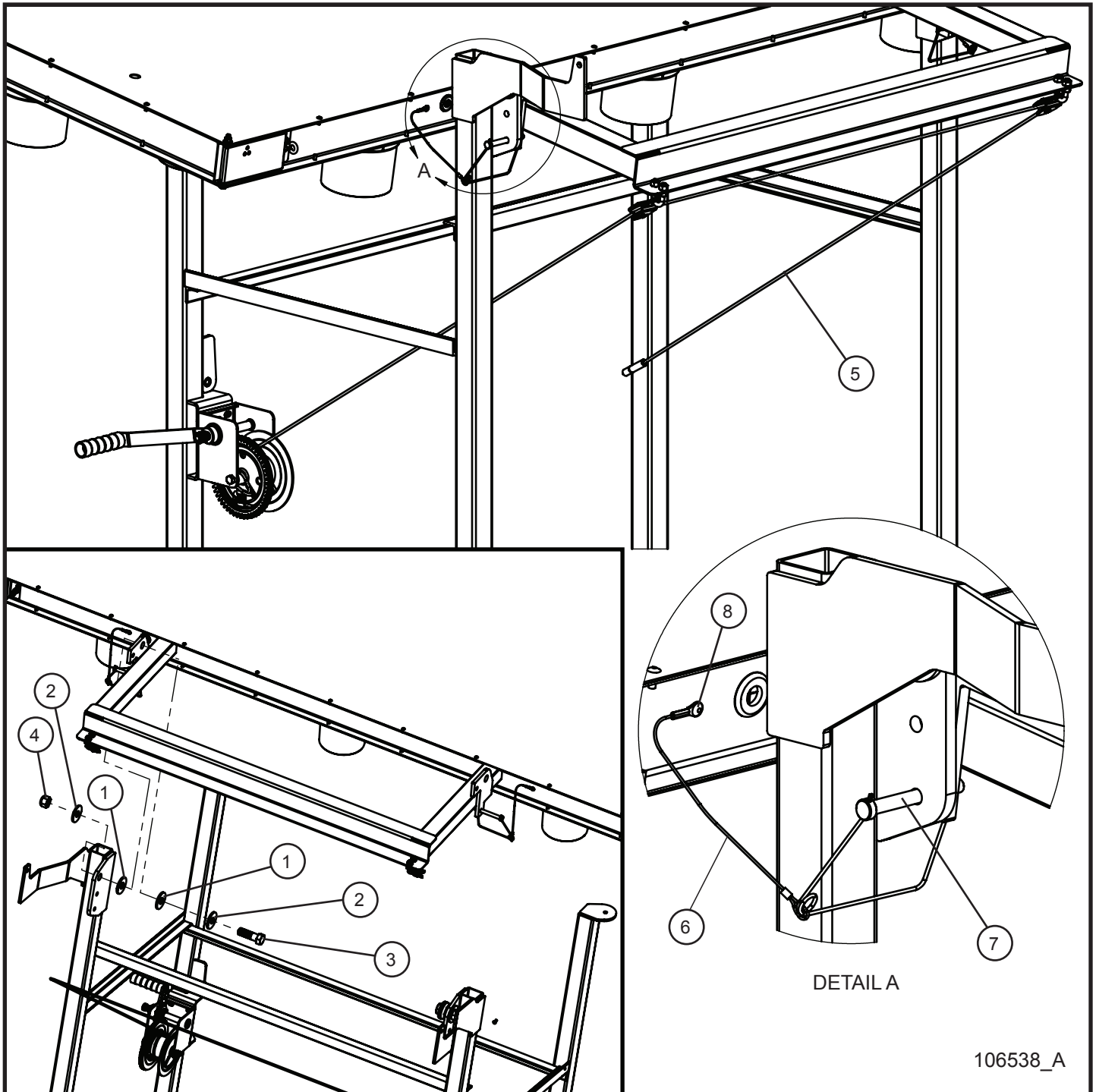
2.1 Trailer Base Parts Group (3 of 3)

SN 02-000001 and UP

Item	Part No.	Part Description	Qty.
1	047010	5/16 FLAT WASHER PL	2
2	711036	3/8 NYLON WASHER 7/8 OD x .344 ID	2
3	046404	5/16-18 x 1 1/4 HEX HEAD CS SS	1
4	044033	5/16-18 NYLOCK HEX NUT PL	1
5	047015	3/8 FLAT WASHER PL	3
6	046110	3/8-16 x 1 HEX HEAD CS GR5 PL	3
7	044038	3/8-16 NYLOCK HEX NUT PL	3
8	712032	WINCH HANDLE WINCH DBL 1200 LB.	1
9	610531	DL 1200 LB. WINCH	1
10	711037	HDPE STEP BUSHING	1
11	714153P	HOOD LATCH SAFETY	1

2.2 Winch Cable and Sign Board Install Group

SN 02-000001 and UP



Eclipse® AB 2400

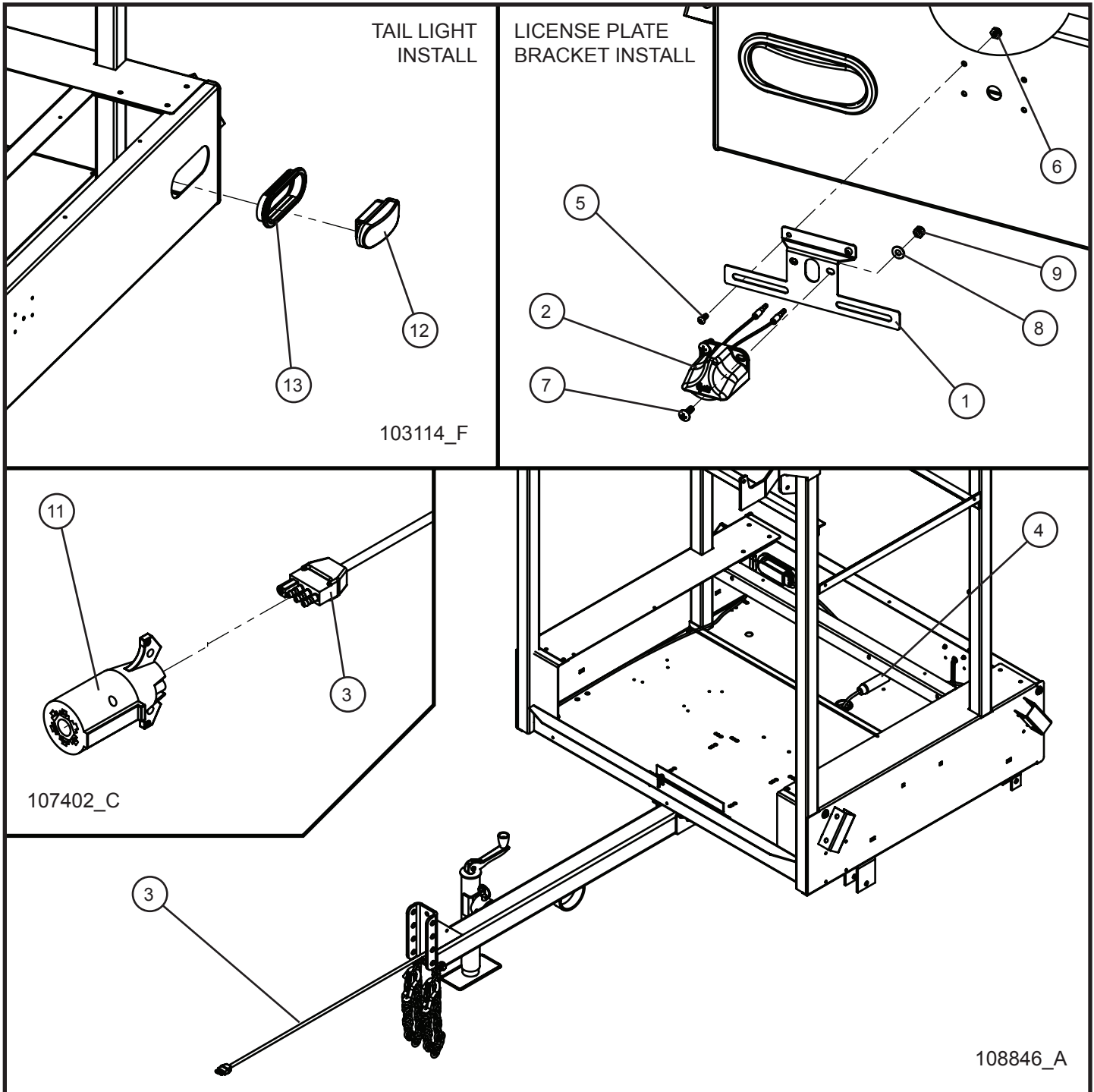
2.2 Winch Cable and Sign Board Install Group

SN 02-000001 and UP

Item	Part No.	Part Description	Qty.
1	650550	.785 x 2 HDPE WASHER	4
2	047035	3/4 FLAT WASHER PL	4
3	046263	3/4-10 x 2 1/2 HEX HEAD CS GR5 PL	2
4	044058	3/4-10 NYLOCK HEX NUT PL	2
5	712533	WINCH CABLE 180"	1
6	712061	STEEL LANYARD SAFETY PIN	2
7	712017	LOCK PIN SNAP	2
8	045110B	RIVET 3/16 BLIND ALUM BLACK	2

2.3 Tail Light and License Plate Bracket

SN 02-000001 and UP



Eclipse® AB 2400

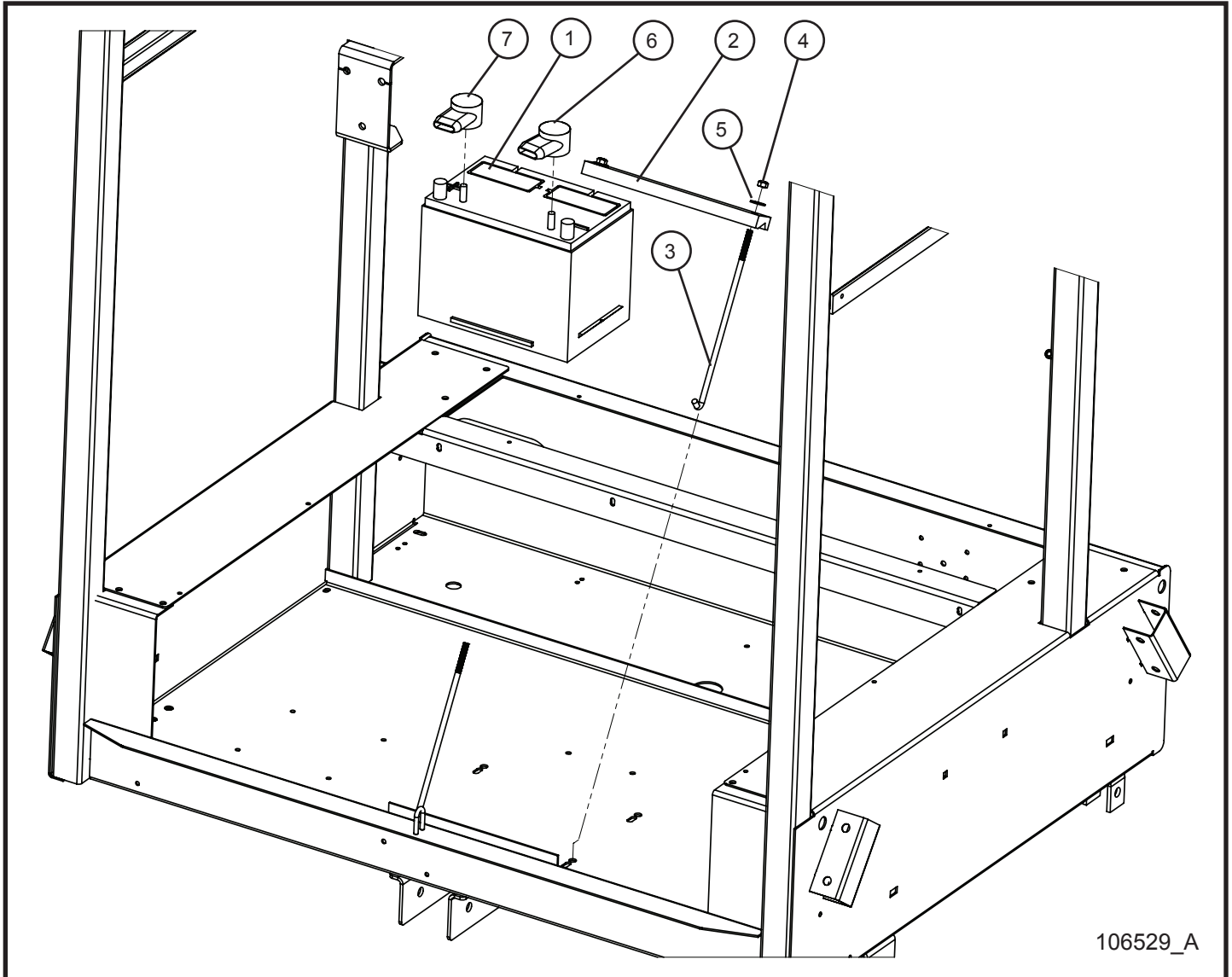
2.3 Tail Light and License Plate Bracket

SN 02-000001 and UP

Item	Part No.	Part Description	Qty.
1	105349P	BRACKET LICENSE PLATE	1
2	107605	MOUNT LED LIGHT CLEAR	1
3	107856	SHORT TONGUE TAIL LIGHTS	1
4	108845	HARNESS BASE TAIL LIGHT AB2400	1
5	041021	#10-24 x 1/2 PH-ROUND HEAD MS PL	2
6	044018	#10-24 NYLOCK HEX NUT PL	2
7	041050	1/4-20 x 3/4 PH-TRUSS HEAD MS SS MACHINE SCREW	2
8	047009	1/4 FLAT WASHER SAE SS	2
9	044023	1/4-20 NYLOCK HEX NUT PL	2
10	106323	WIRE SCHEMATIC AB 2400 TAIL LIGHT WIRE HARNESS	1
11	107401	7-WAY RV PLUG, BLADE STYLE	1
12	102826	STOP, TAIL, TURN LAMP	2
13	102825	OVAL LAMP GROMMET	2

2.4 Single AGM Battery

SN 02-000001 and UP



Eclipse® AB 2400

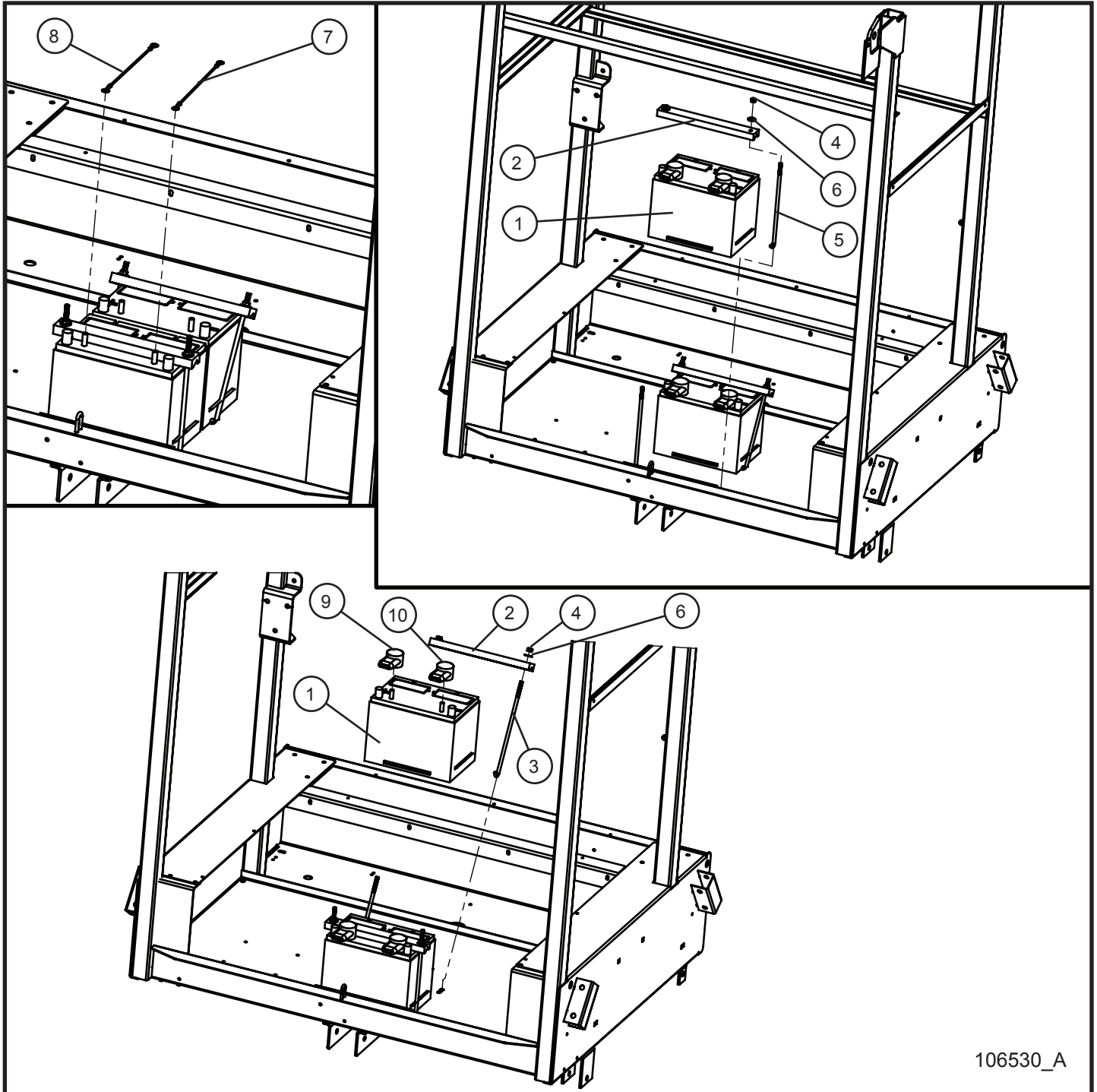
2.4 Single AGM Battery

SN 02-000001 and UP

Item	Part No.	Part Description	Qty.
1	n/a	BATTERY 12V GROUP 24 AGM	1
2	340017	HOLD DOWN BATTERY	1
3	433507	5/16-18 J-BOLT x 11 ZINC	2
4	044033	5/16-18 NYLOCK HEX NUT PL	2
5	047010	5/16 FLAT WASHER PL	2
6	022292	BATTERY TERMINAL COVER NEGATIVE	1
7	022293	BATTERY TERMINAL COVER POSITIVE	1
NS	106328	WIRE SCHEMATIC ONE PANEL - ONE BATTERY	1

2.5 Double AGM Battery

SN 02-000001 and UP



106530_A

Eclipse® AB 2400

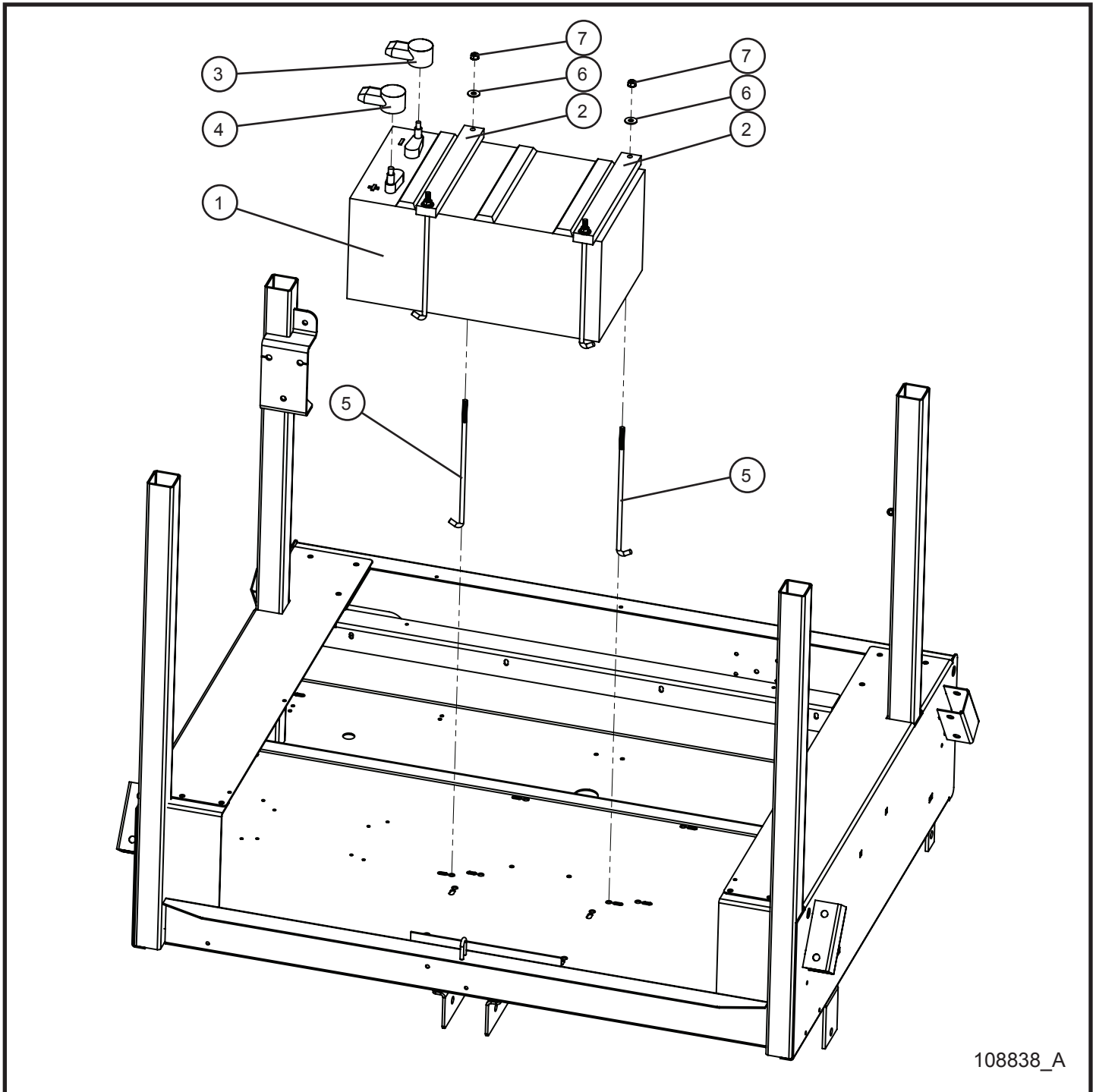
2.5 Double AGM Battery

SN 02-000001 and UP

Item	Part No.	Part Description	Qty.
1	n/a	BATTERY 12V GROUP 24 AGM	2
2	340017	HOLD DOWN BATTERY	2
3	433507	5/16-18 J-BOLT x 11 ZINC	2
4	044033	5/16-18 NYLOCK HEX NUT PL	4
5	103307	5/16-18 J-BOLT x 10-5/16 ZINC	2
6	047010	5/16 FLAT WASHER PL	4
7	106670	WIRE CONNECTION BLACK	1
8	106580	WIRE CONNECTION RED	1
9	022293	BATTERY TERMINAL COVER POSITIVE	2
10	022292	BATTERY TERMINAL COVER POSITIVE	2
NS	106330	WIRE SCHEMATIC 2ND BATTERY OPTION	1
NS	106328	WIRE SCHEMATIC ONE PANEL - ONE BATTERY	1

2.6 Single 8D Battery

SN 02-000001 and UP



108838_A

Eclipse® AB 2400

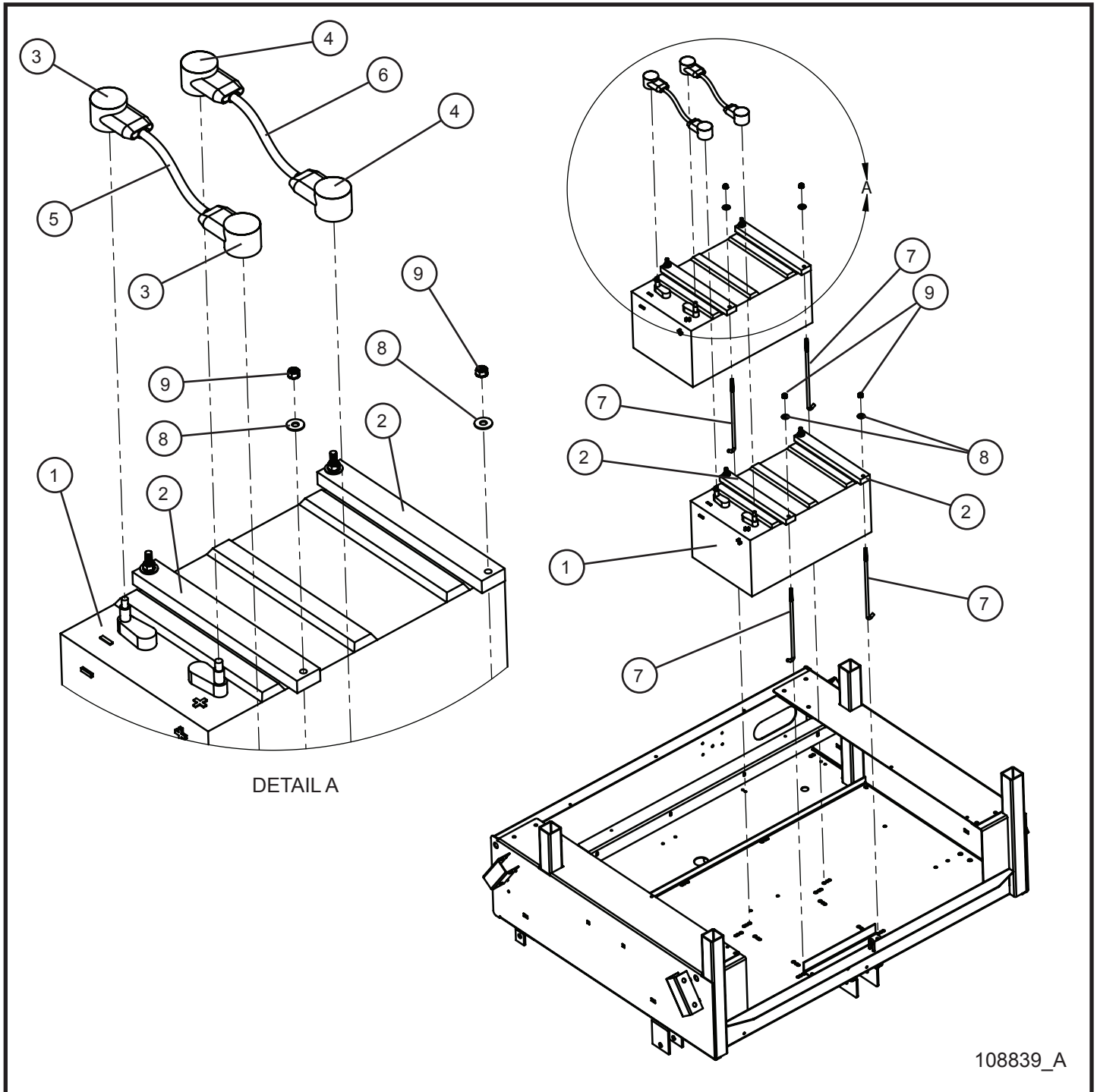
2.6 Single 8D Battery

SN 02-000001 and UP

Item	Part No.	Part Description	Qty.
1	n/a	BATTERY 8D	1
2	800243	HOLD DOWN BATTERY MAXI HEAT	2
3	022292	BATTERY TERMINAL COVER POSITIVE	1
4	022293	BATTERY TERMINAL COVER POSITIVE	1
5	433507	5/16-18 J-BOLT x 11 ZINC	4
6	047010	5/16 FLAT WASHER PL	4
7	044031	5/16-18 KEPS HEX NUT PL	4
NS	106328	WIRE SCHEMATIC ONE PANEL - ONE BATTERY	1

2.7 Double 8D Battery

SN 02-000001 and UP



108839_A

Eclipse® AB 2400

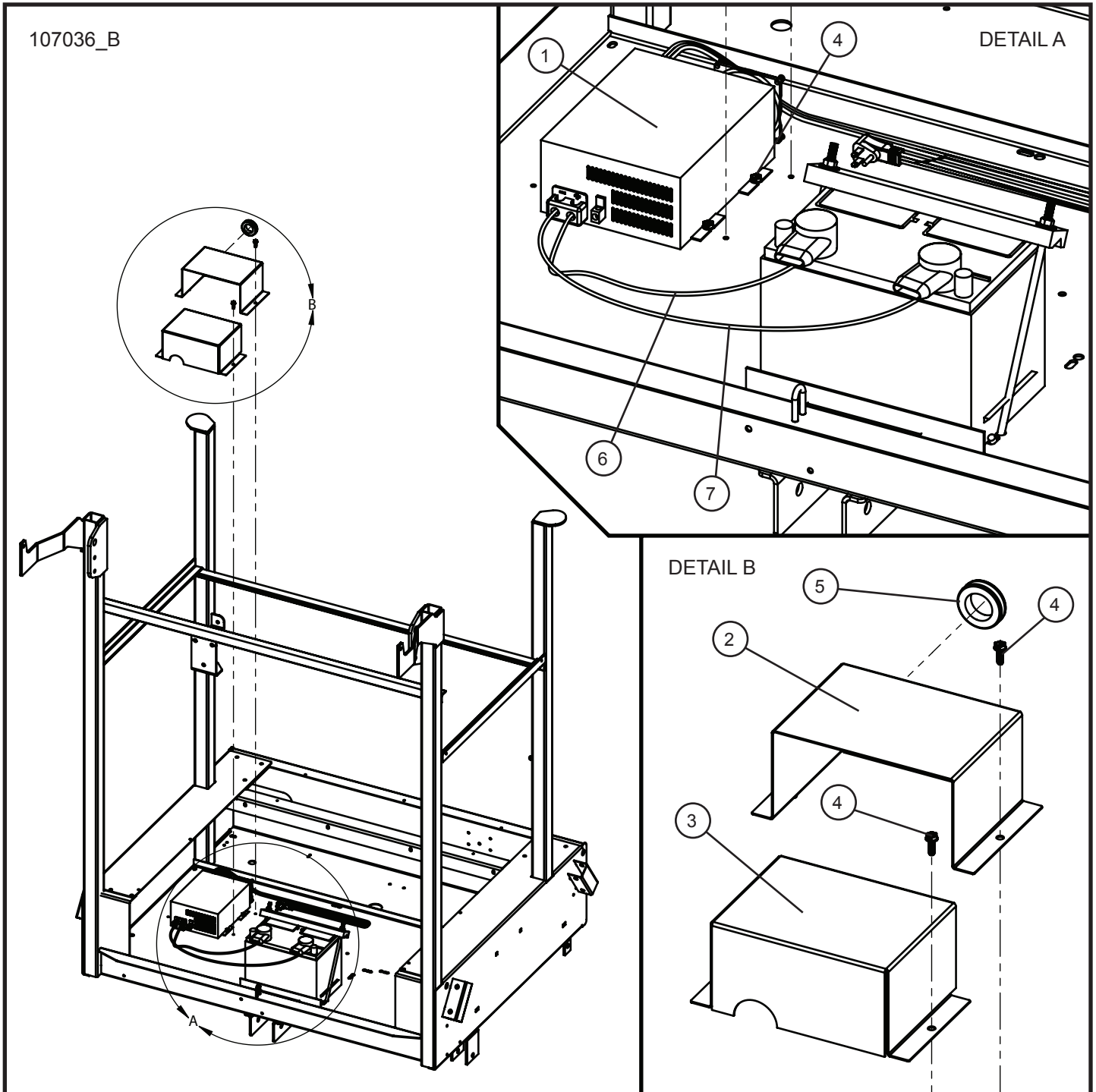
2.7 Double 8D Battery

SN 02-000001 and UP

Item	Part No.	Part Description	Qty.
1	n/a	BATTERY 8D	2
2	800243	HOLD DOWN BATTERY MAXI HEAT	4
3	022292	BATTERY TERMINAL COVER POSITIVE	2
4	022293	BATTERY TERMINAL COVER POSITIVE	2
5	713198	BATTERY CABLE BLACK NEGATIVE x 13.00	1
6	713199	BATTERY CABLE RED POSITIVE x 13.00	1
7	433507	5/16-18 J-BOLT x 11 ZINC	8
8	047010	5/16 FLAT WASHER PL	8
9	044031	5/16-18 KEPS HEX NUT PL	8
NS	106330	WIRE SCHEMATIC 2ND BATTERY OPTION	1
NS	106328	WIRE SCHEMATIC ONE PANEL - ONE BATTERY	1

2.8 Battery Charger

SN 02-000001 and UP



Eclipse® AB 2400

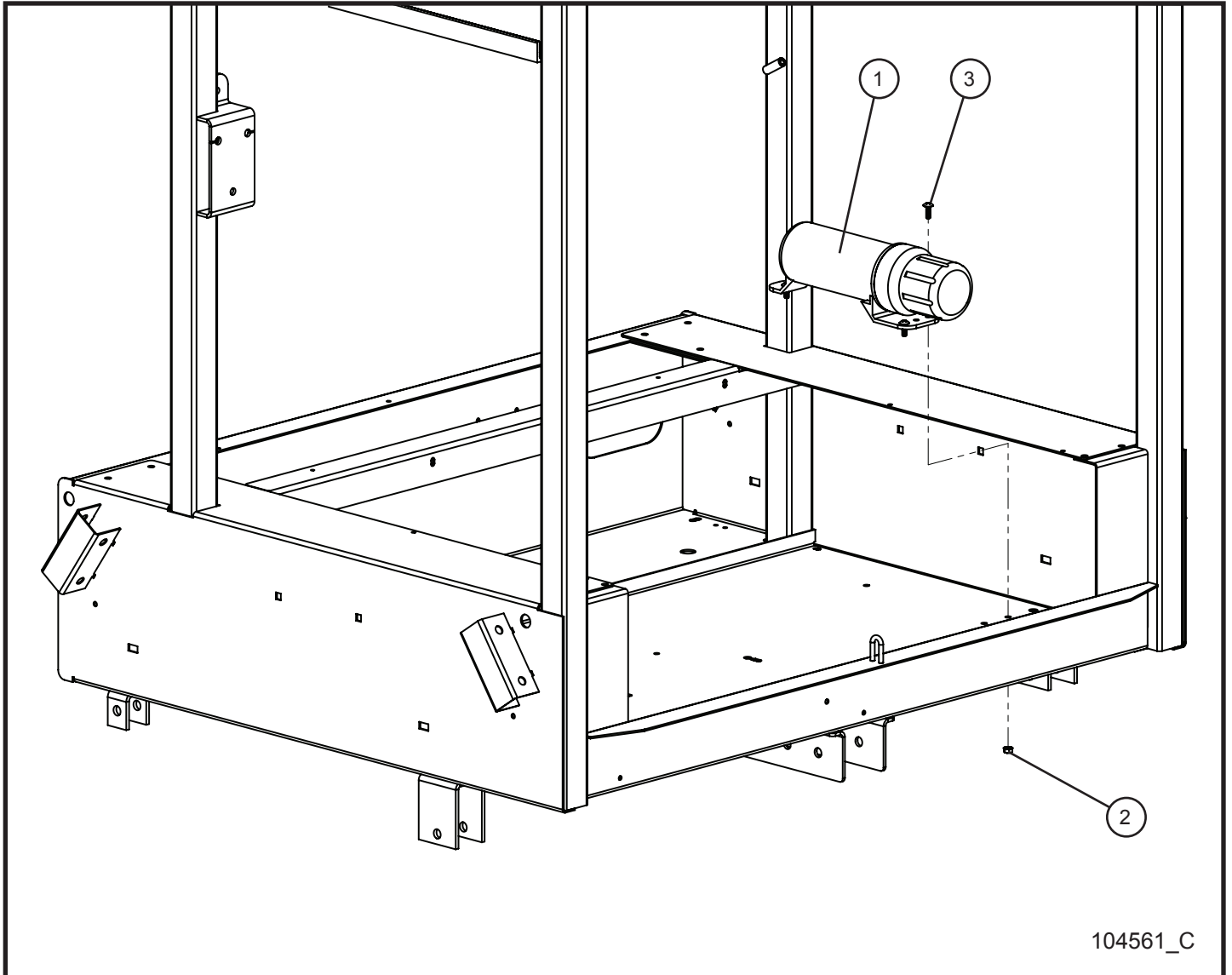
2.8 Battery Charger

SN 02-000001 and UP

Item	Part No.	Part Description	Qty.
1	107574	POWER CONVERTER 15 AMP	1
2	107575P	COVER OUTSIDE BATTERY CHARGER	1
3	107576P	COVER INSERT BATTERY CHARGER	1
4	041070	1/4-20 x 3/4 SL-HEX WASHER HEAD MS TP F	8
5	650542	1 1/4 ID x 1 1/2 OD GROMMET	1
6	106557	WIRE LEAD RED 12 AWG x 33.0	1
7	106558	WIRE LEAD BLACK 12 AWG x 36.0	1
8	108841	SCHEMATIC ON-BOARD CHARGER	1

2.9 Manual Canister

SN 02-000001 and UP



104561_C

Eclipse® AB 2400

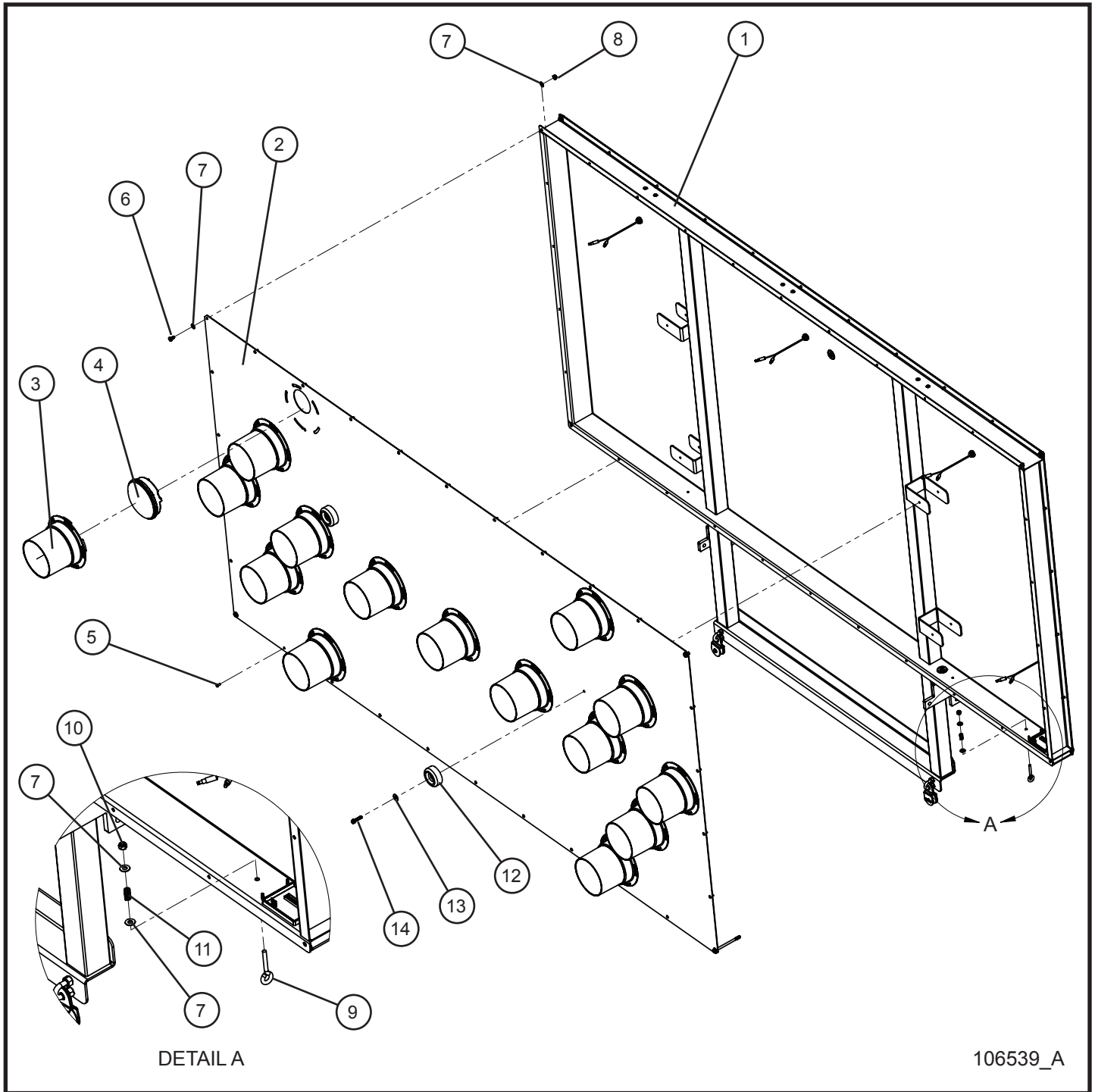
2.9 Manual Canister

SN 02-000001 and UP

Item	Part No.	Part Description	Qty.
1	103651	CANISTER PRODUCT MANUAL	1
2	044021	1/4-20 KEPS HEX NUT PL	3
3	041050	1/4-20 x 3/4 PH-TRUSS HEAD MS SS	3

3.1 15 Light LED Sign Board Parts

SN 02-000001 and UP



DETAIL A

106539_A

Eclipse® AB 2400

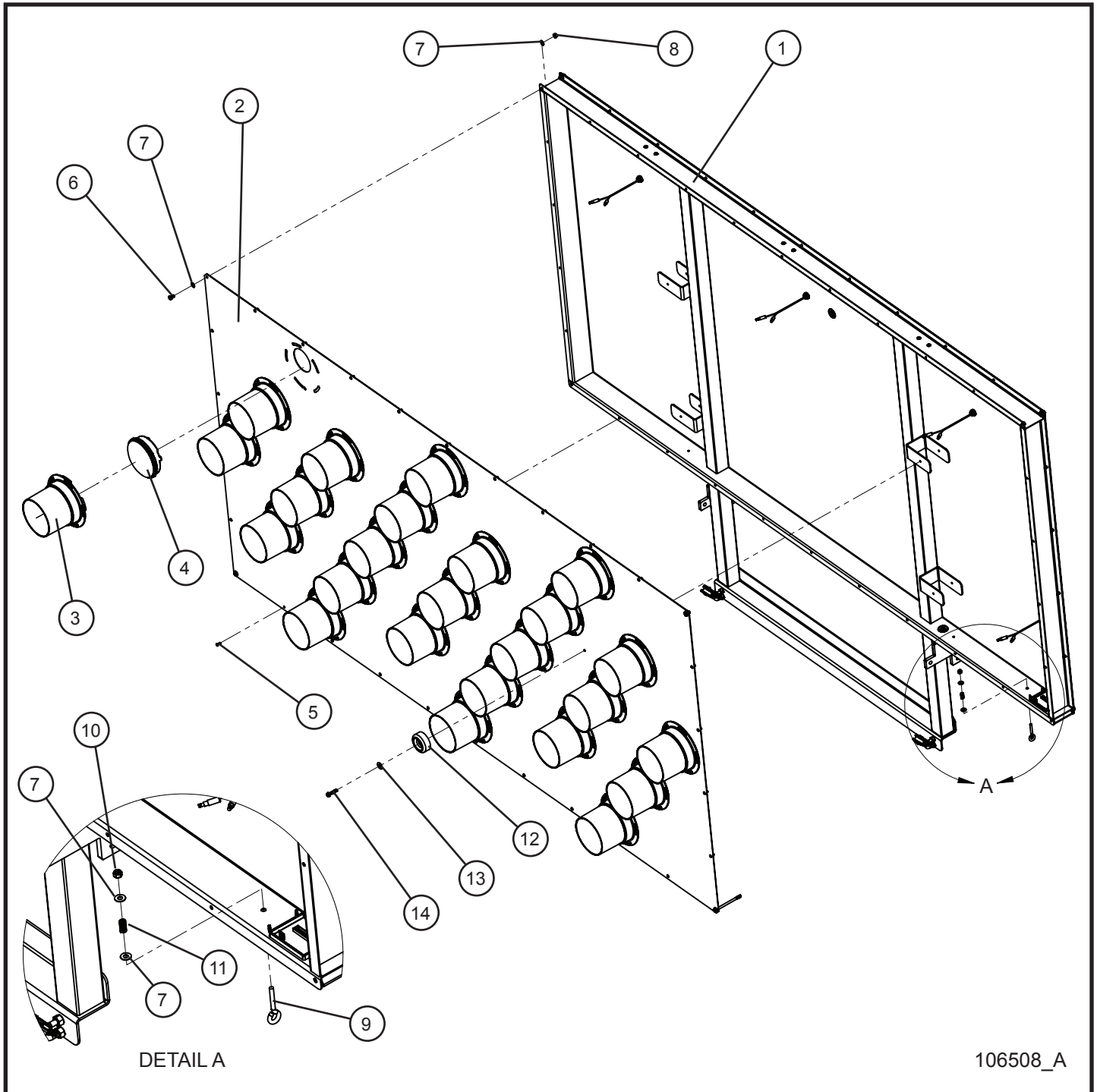
3.1 15 Light LED Sign Board Parts

SN 02-000001 and UP

Item	Part No.	Part Description	Qty.
1	106509P	SWING ARM WELDMENT	1
2	106536	PANEL FRONT 15 LIGHT	1
3	106504	HOOD LAMP VISOR	15
4	106505	LAMP LED	15
5	045110B	RIVET 3/16 BLIND ALUM BLACK	26
6	046005	1/4-20 x 1/2 HEX HEAD CS GR5 PL	3
7	047009	1/4 FLAT WASHER SAE SS	8
8	044021	1/4-20 KEPS HEX NUT PL6	3
9	045066	BOLT EYE 1/4-20 x 1 ZINC	1
10	044023	1/4-20 NYLOCK HEX NUT PL	1
11	106528	SPRING COMPRESSION 3/8 x 3/4	1
12	711032	BUMPER RUBBER SIGN REST	2
13	047010	5/16 FLAT WASHER PL	2
14	041072	1/4-20 x 1 1/4 SL-HEX WASHER HEAD TP F	2
NS	106275	HARNESS 15 LIGHT	1
NS	106287	HARNESS POWER CONTROLLER	1
NS	106324	WIRE SCHEMATIC 15 LAMP PANEL	1
NS	106326	WIRE SCHEMATIC 12 VOLT POWER CORD	1

3.2 25 Light LED Sign Board Parts

SN 02-000001 and UP



Eclipse® AB 2400

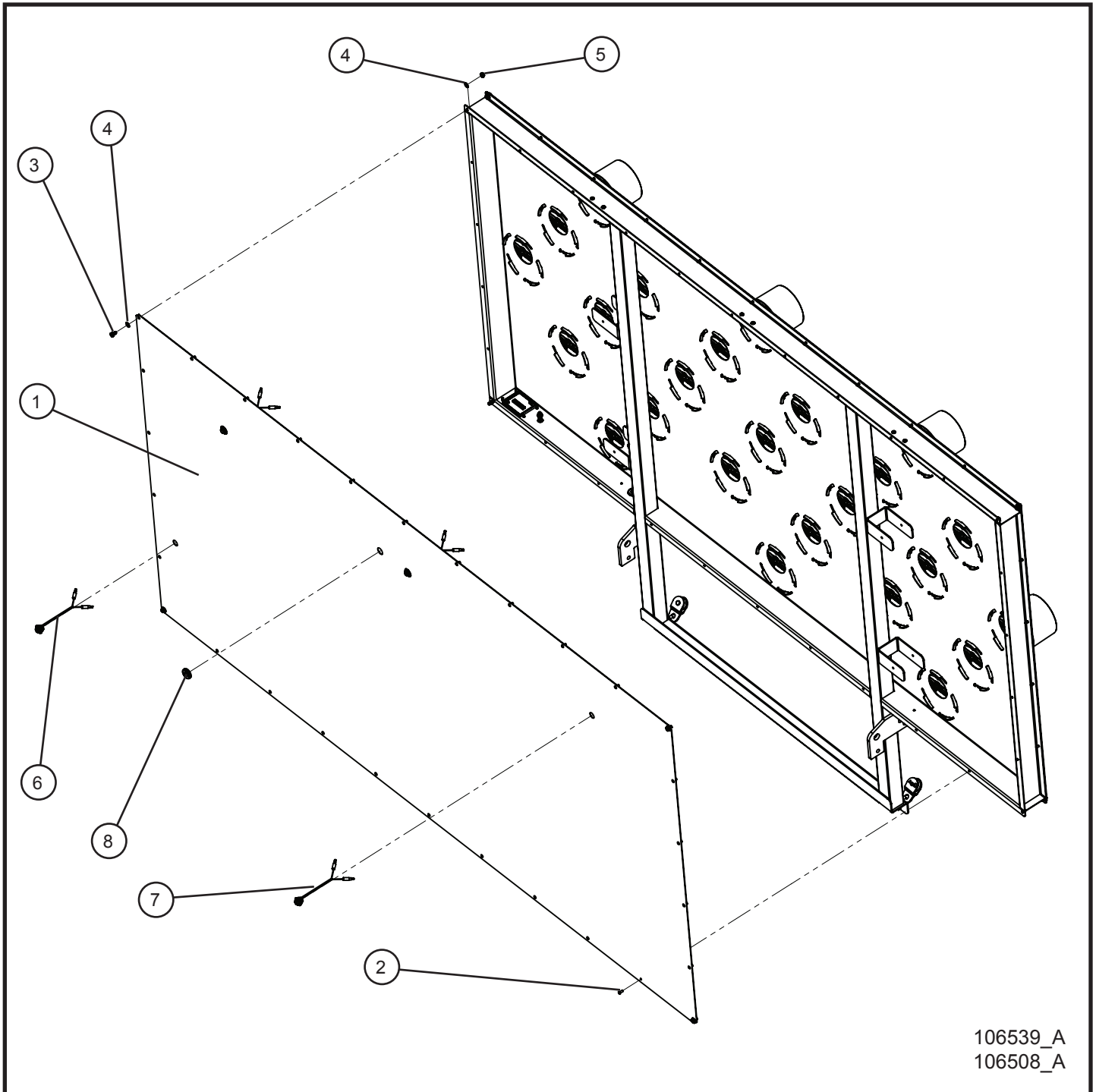
3.2 25 Light LED Sign Board Parts

SN 02-000001 and UP

Item	Part No.	Part Description	Qty.
1	106509P	SWING ARM WELDMENT	1
2	106507	PANEL FRONT 25 LIGHT	1
3	106504	HOOD LAMP VISOR	25
4	106505	LAMP LED	25
5	045110B	RIVET 3/16 BLIND ALUM BLACK	26
6	046005	1/4-20 x 1/2 HEX HEAD CS GR5 PL	3
7	047009	1/4 FLAT WASHER SAE SS	8
8	044021	1/4-20 KEPS HEX NUT PL6	3
9	045066	BOLT EYE 1/4-20 x 1 ZINC	1
10	044023	1/4-20 NYLOCK HEX NUT PL	1
11	106528	SPRING COMPRESSION 3/8 x 3/4	1
12	711032	BUMPER RUBBER SIGN REST	2
13	047010	5/16 FLAT WASHER PL	2
14	041072	1/4-20 x 1 1/4 SL-HEX WASHER HEAD TP F	2
NS	106274	HARNESS 25 LIGHT	1
NS	106287	HARNESS POWER CONTROLLER	1
NS	106325	WIRE SCHEMATIC 25 LAMP PANEL	1
NS	106326	WIRE SCHEMATIC 12 VOLT POWER CORD	1

3.3 Sign Board Back Panel Parts

SN 02-000001 and UP



106539_A
106508_A

Eclipse® AB 2400

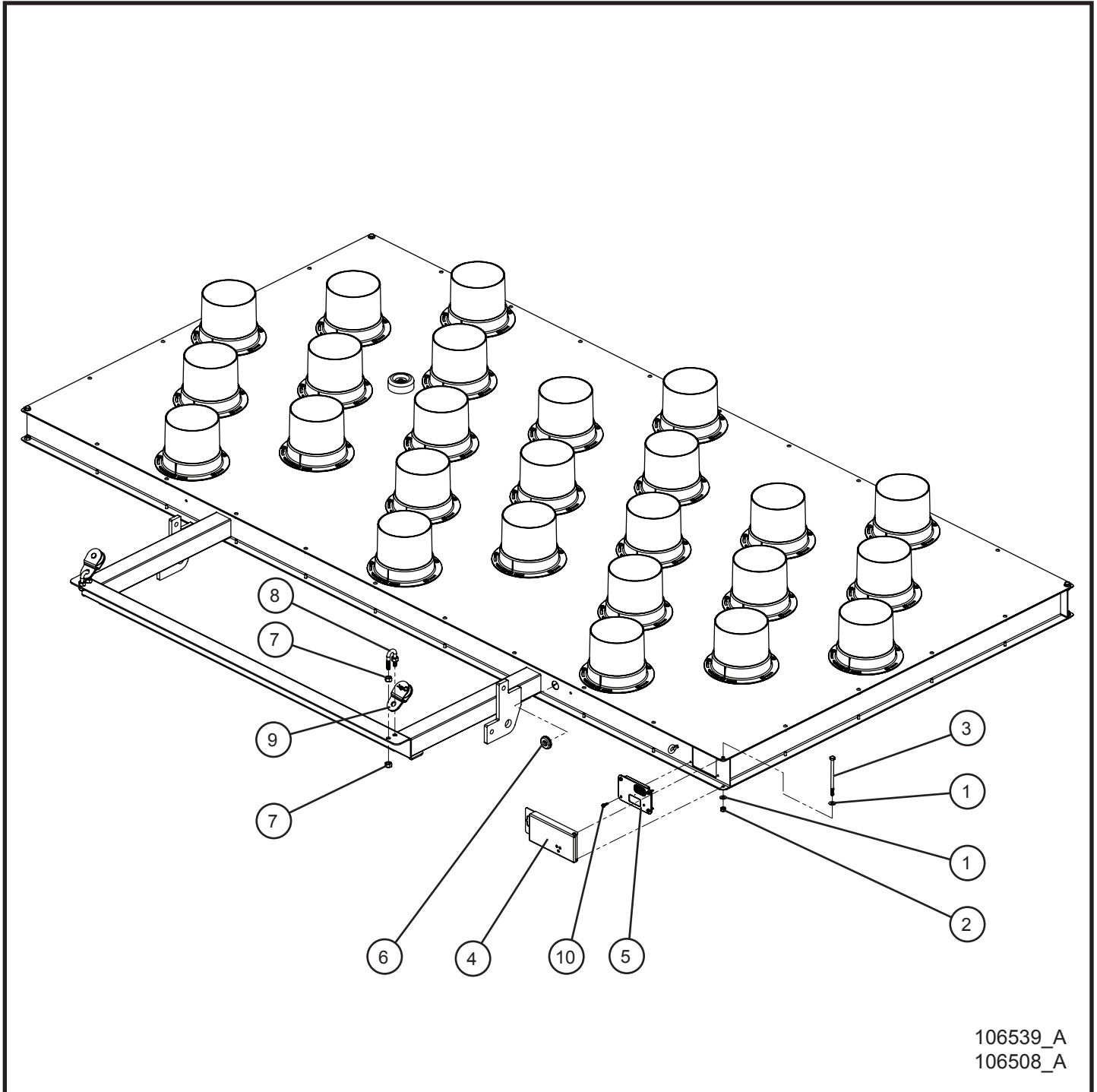
3.3 Sign Board Back Panel Parts

SN 02-000001 and UP

Item	Part No.	Part Description	Qty.
1	106506	BACK PANEL	1
2	045110B	RIVET 3/16 BLIND ALUM BLACK	26
3	046005	1/4-20 x 1/2 HEX HEAD CS GR5 PL	3
4	047009	1/4 FLAT WASHER SAE SS	6
5	044021	1/4-20 KEPS HEX NUT PL6	3
6	106211	LIGHT LED MARKER RED	1
7	106212	LIGHT LED MARKER AMBER	3
8	100859	7/8 ID x 1 1/4 OD GROMMET	1

3.4 Sign Board Controller Logic and Pulley Install Group

SN 02-000001 and UP



Eclipse® AB 2400

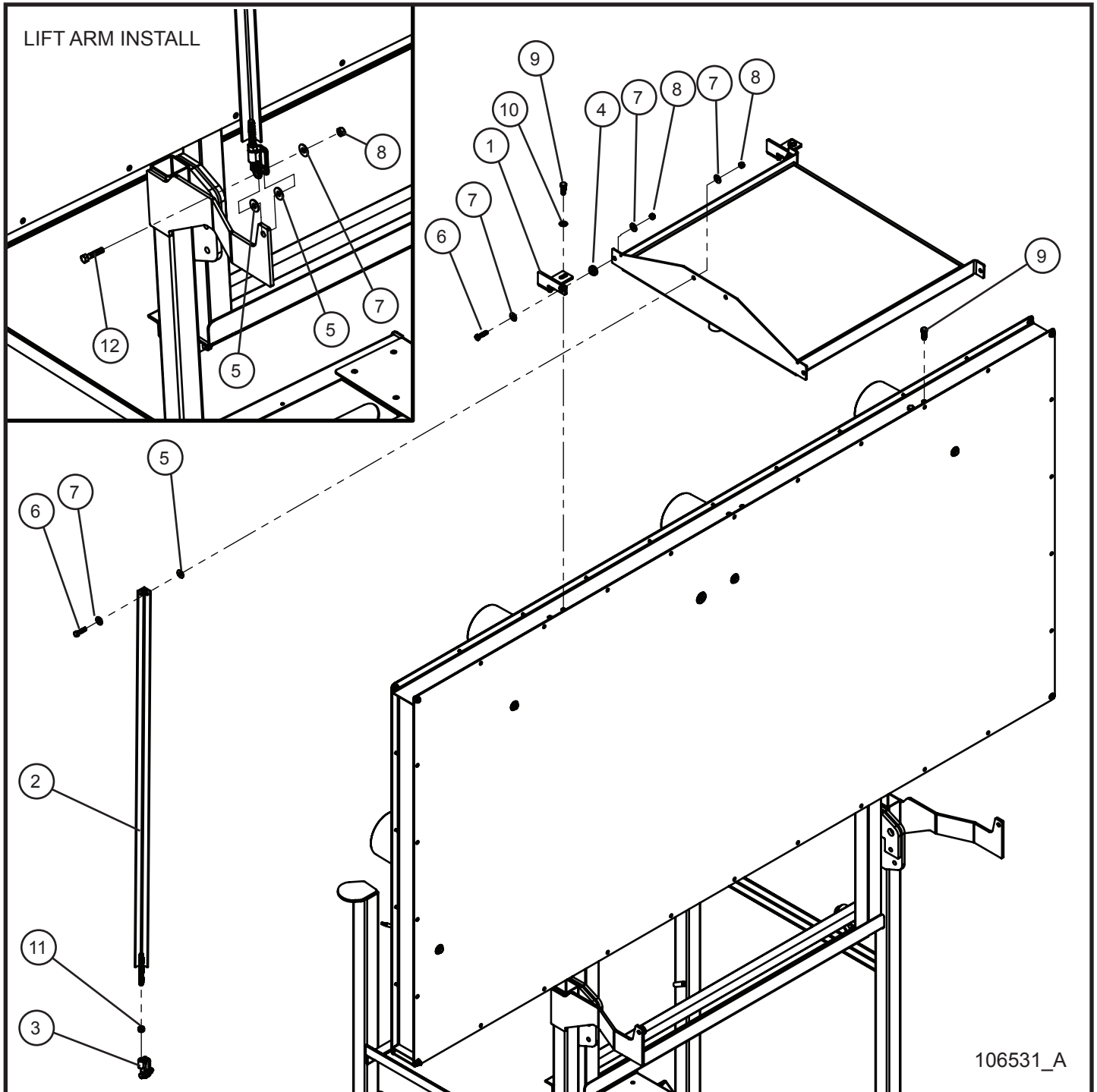
3.4 Sign Board Controller Logic and Pulley Install Group

SN 02-000001 and UP

Item	Part No.	Part Description	Qty.
1	047009	1/4 FLAT WASHER SAE SS	2
2	044023	1/4-20 NYLOCK HEX NUT PL	1
3	046039	1/4-20 x 4 HEX HEAD CS Z5	1
4	106502P	COVER CONTROLLER SWING ARM	1
5	106503	CONTROLLER LOGIC	1
6	100859	7/8 ID x 1 1/4 OD GROMMET	1
7	044035	NUT HEX 3/8-16 ZINC	8
8	045085	3/8-16 U BOLT	2
9	712545	BLOCK PULLEY	2
10	041015	#8 x 5/8 HEX WASHER HEAD TEK MS PL	4

3.5 Single 50 Watt Solar Panel Group (1 of 2)

SN 02-000001 and UP



Eclipse® AB 2400

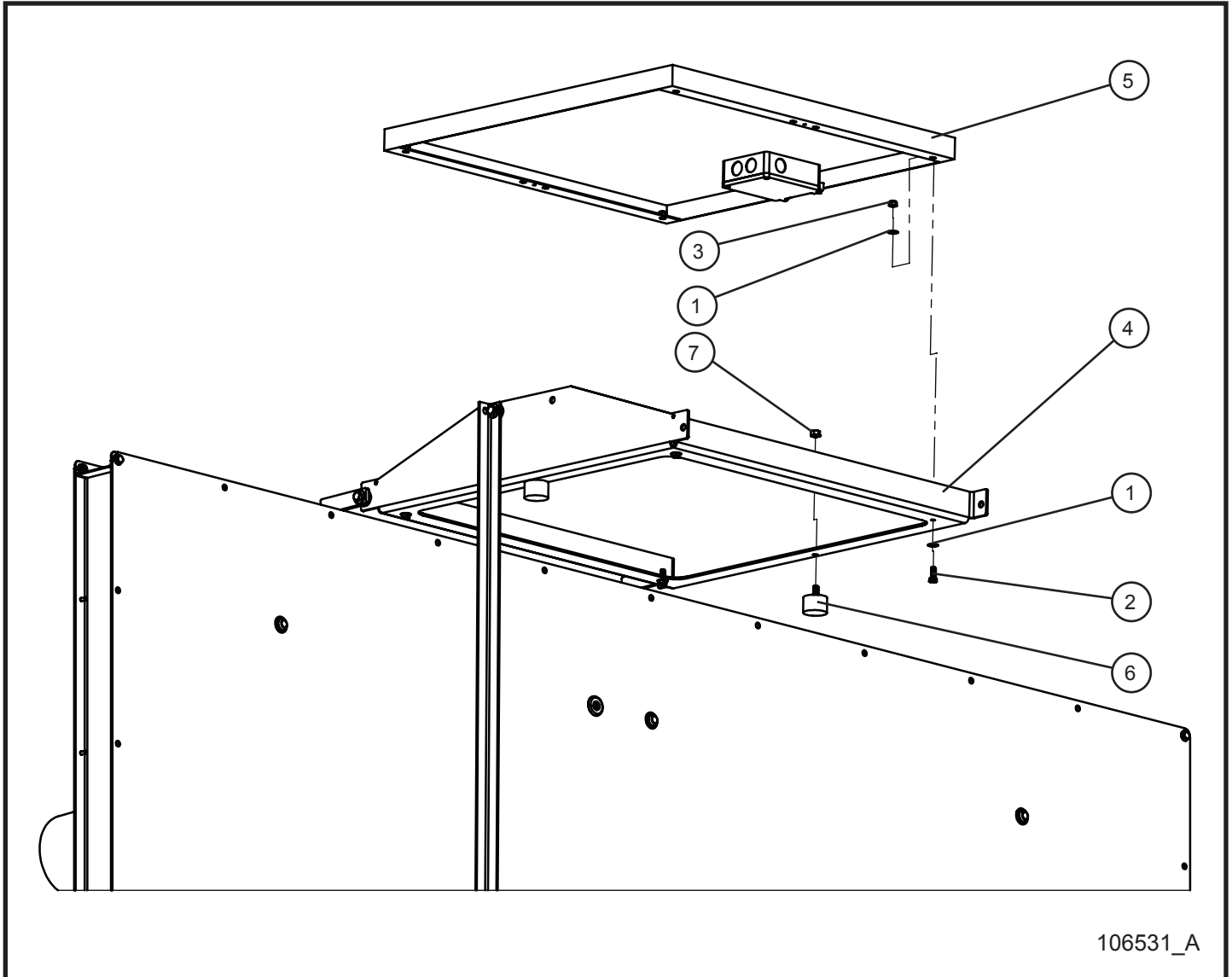
3.5 Single 50 Watt Solar Panel Group (1 of 2)

SN 02-000001 and UP

Item	Part No.	Part Description	Qty.
1	106520P	BRACKET ARM SOLAR PANEL	2
2	106522P	LIFT ARM ASSEMBLY SOLAR PANEL	1
3	712572	3/8-24 OFFSET YOKE	1
4	711037	HDPE STEP BUSHING	2
5	711036	3/8 NYLON WASHER 7/8 OD x .344 ID	3
6	046055	5/16-18 x 1 1/4 HEX HEAD CS GR5 PL	3
7	047010	5/16 FLAT WASHER PL	7
8	044033	5/16-18 NYLOCK HEX NUT PL	4
9	046110	3/8-16 x 1 HEX HEAD CS GR5 PL	6
10	047016	3/8 FLAT WASHER SAE ZINC	4
11	044042	3/8-24 HEX NUT PL	1
12	046060	5/16-18 x 1 1/2 HEX HEAD CS GR5 PL	1

3.5 Single 50 Watt Solar Panel Group (2 of 2)

SN 02-000001 and UP



Eclipse® AB 2400

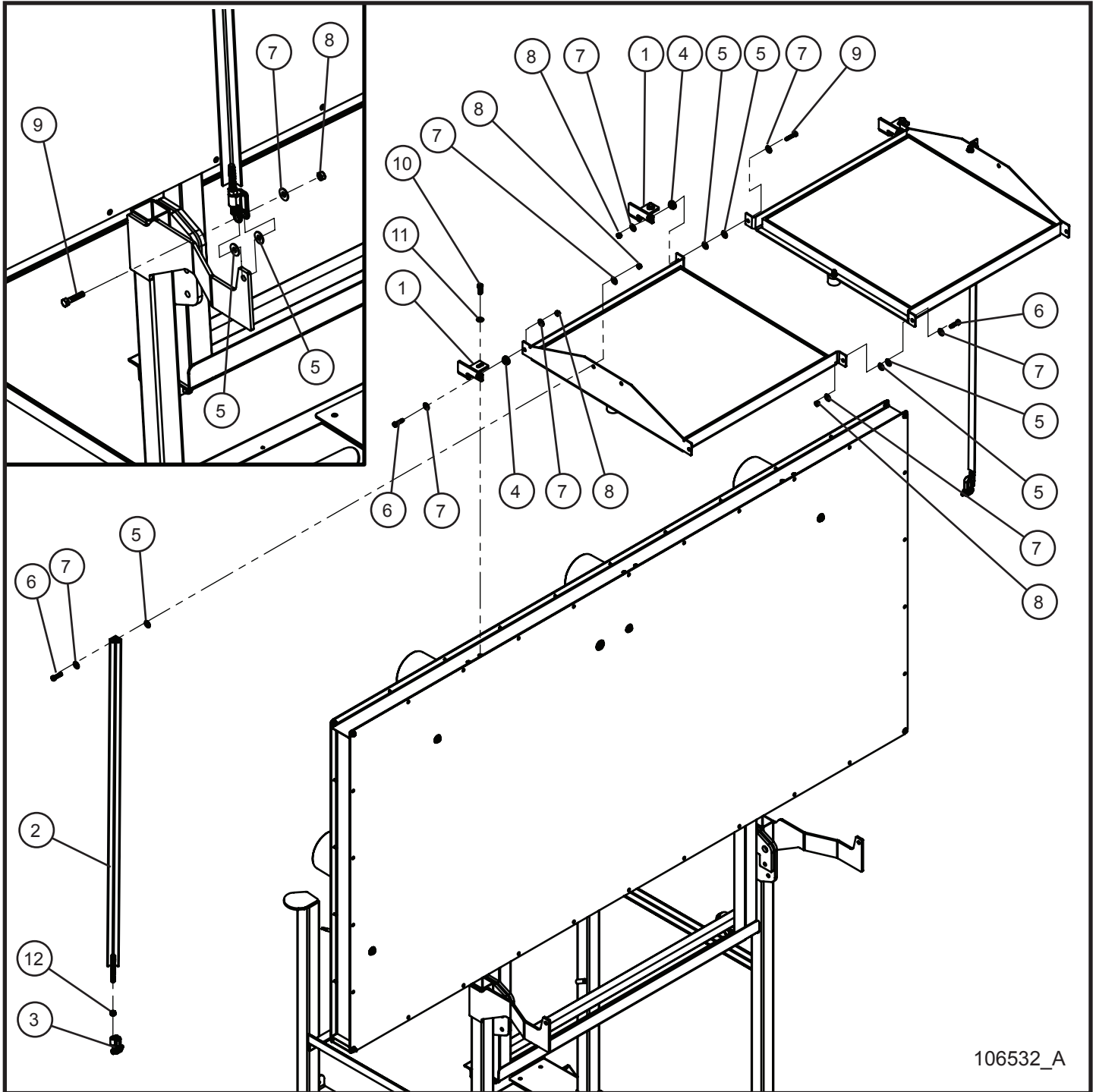
3.5 Single 50 Watt Solar Panel Group (2 of 2)

SN 02-000001 and UP

Item	Part No.	Part Description	Qty.
1	047009	1/4 FLAT WASHER SAE SS	8
2	046010	1/4-20 x 3/4 HEX HEAD CS GR5 SS	4
3	044023	1/4-20 NYLOCK HEX NUT PL	4
4	106521P	FRAME SOLAR PANEL	1
5	106686	PANEL SOLAR 55W	1
6	713578	RUBBER BUMPER	2
7	044031	5/16-18 KEPS HEX NUT PL	2

3.6 Double 50 Watt Solar Panel Group (1 of 2)

SN 02-000001 and UP



106532_A

Eclipse® AB 2400

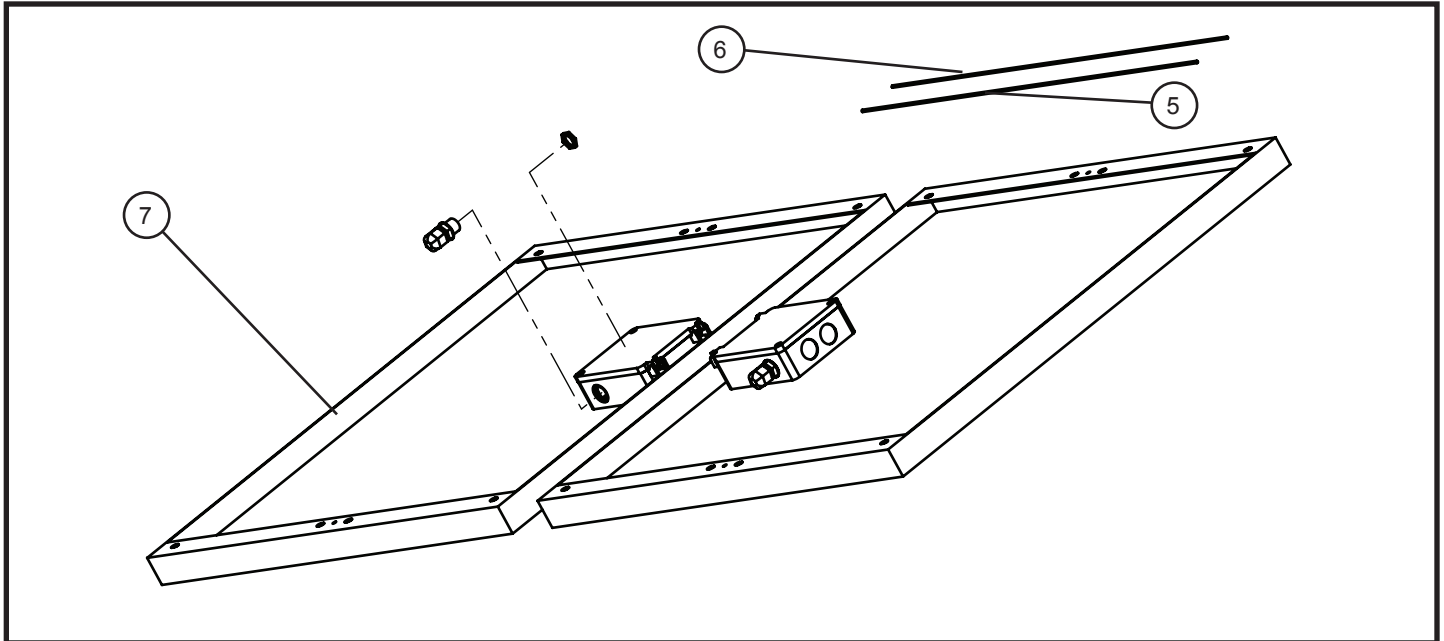
3.6 Double 50 Watt Solar Panel Group (1 of 2)

SN 02-000001 and UP

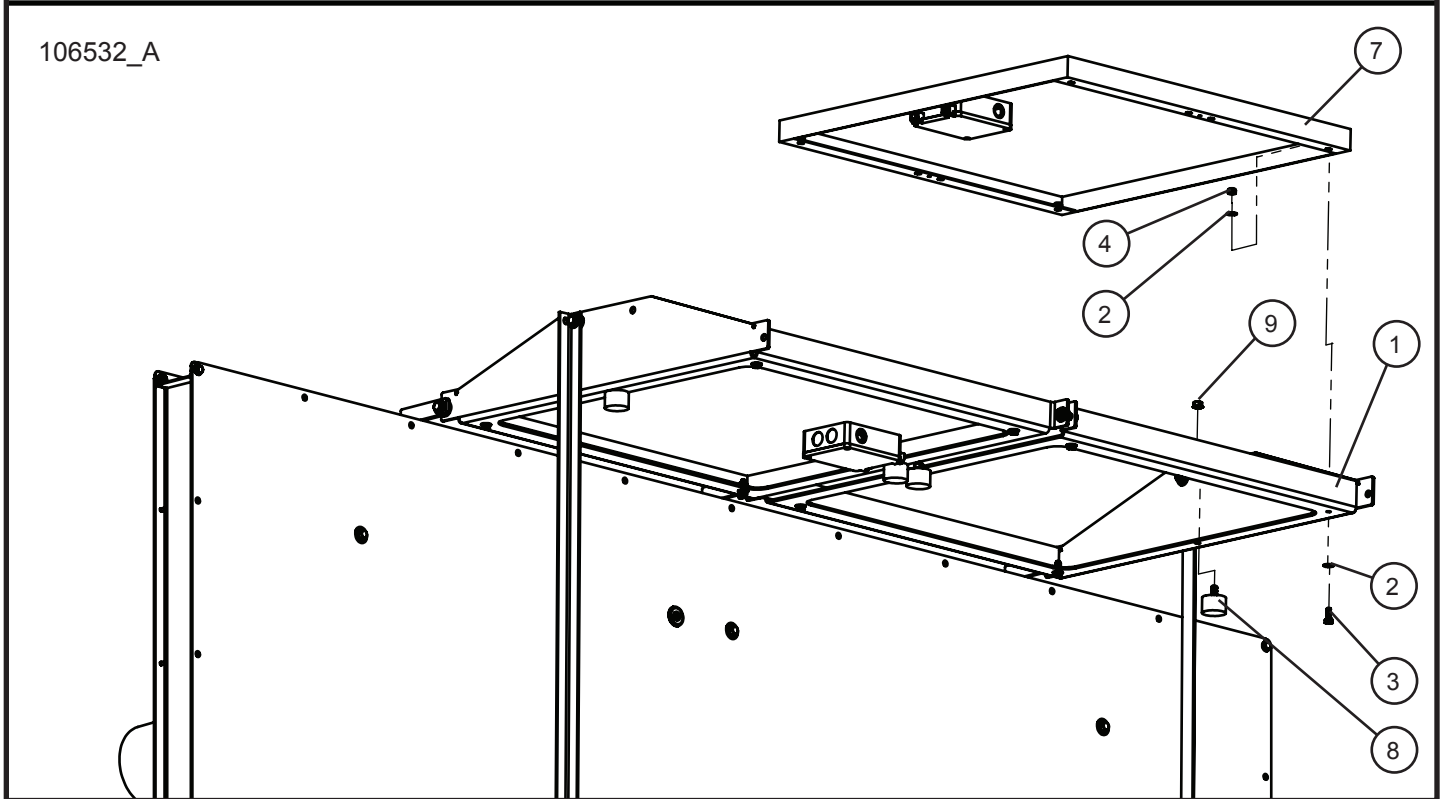
Item	Part No.	Part Description	Qty.
1	106520P	BRACKET ARM SOLAR PANEL	3
2	106522P	LIFT ARM ASSEMBLY	2
3	712572	3/8-24 OFFSET YOKE	2
4	711037	HDPE STEP BUSHING	3
5	711036	3/8 NYLON WASHER 7/8 OD x .344 ID	10
6	046055	5/16-18 x 1 1/4 HEX HEAD CS GR5 PL	5
7	047010	5/16 FLAT WASHER PL	14
8	044033	5/16-18 NYLOCK HEX NUT PL	8
9	046060	5/16-18 x 1 1/2 HEX HEAD GR5 PL	3
10	046110	3/8-16 x 1 HEX HEAD CS GR5 PL	6
11	047016	3/8 FLAT WASHER SAE ZINC	6
12	044042	3/8-24 HEX NUT PL	2
NS	106329	WIRE SCHEMATIC 2ND PANEL OPTION	1

3.6 Double 50 Watt Solar Panel Group (2 of 2)

SN 02-000001 and UP



106532_A



Eclipse® AB 2400

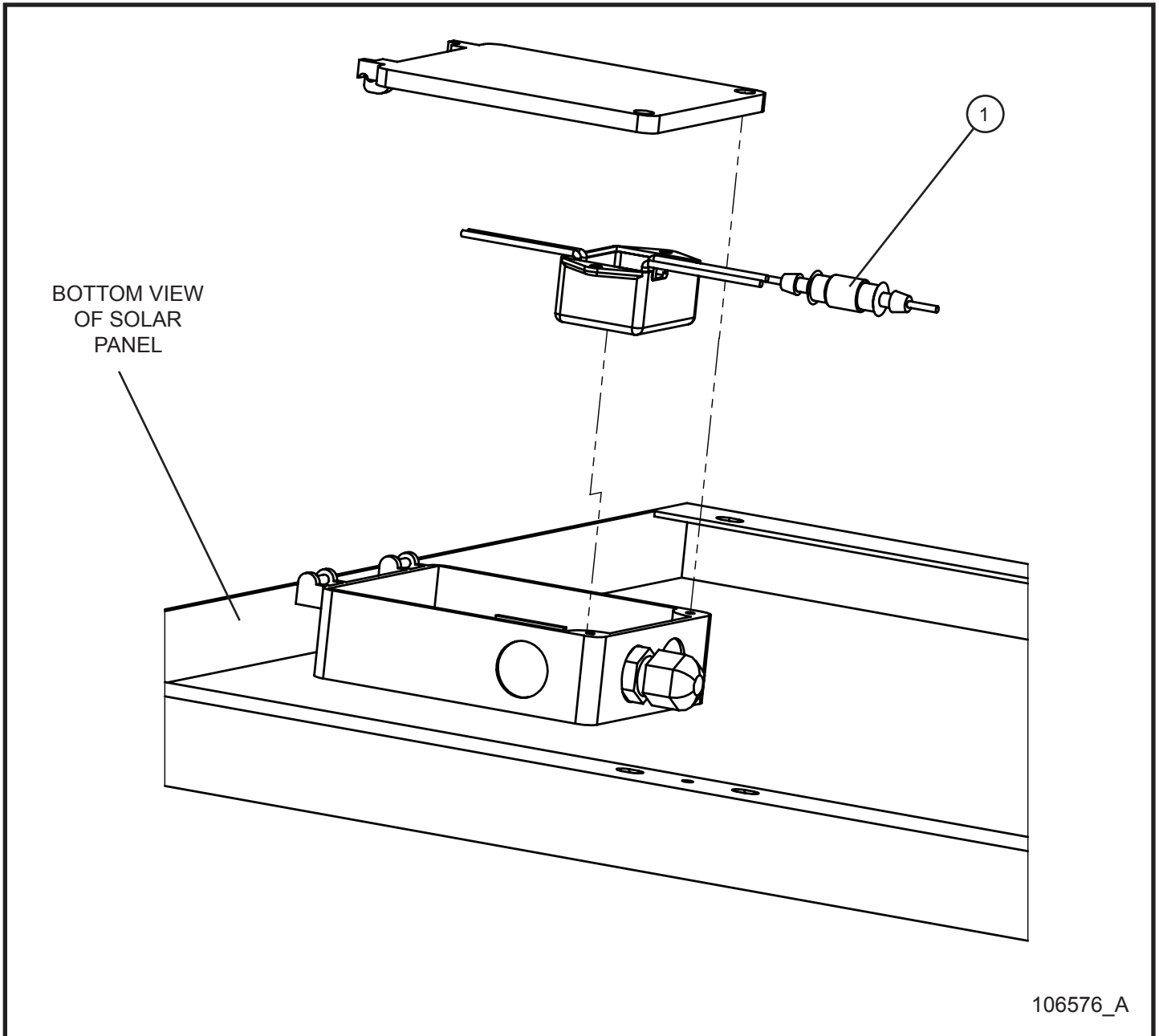
3.6 Double 50 Watt Solar Panel Group (2 of 2)

SN 02-000001 and UP

Item	Part No.	Part Description	Qty.
1	106521P	FRAME SOLAR PANEL	2
2	047009	1/4 FLAT WASHER SAE SS	16
3	046010	1/4-20 x 3/4 HEX HEAD CS GR5 SS	8
4	044023	1/4-20 NYLOCK HEX NUT PL	8
5	020140	12AWG BLACK x 24.0	1
6	020130	12AWG RED x 24.0	1
7	106686	PANEL SOLAR 55W	2
8	713578	RUBBER BUMPER	4
9	044031	5/16-18 KEPS NEX NUT PL	4

3.7 Solar Panel Charge Controller

SN 02-000001 and UP



106576_A

Eclipse® AB 2400

3.7 Solar Panel Charge Controller


SN 02-000001 and UP

Item	Part No.	Part Description	Qty.
1	104430	CHARGE CONTROLLER 7A 12V FLEXCHARGE	1
NS	106328	WIRE SCHEMATIC ONE PANEL-ONE BATTERY	1
NS	106577	HARNESS CHARGE CONTROLLER	1

4.1 AB 2400 Top Side Decals

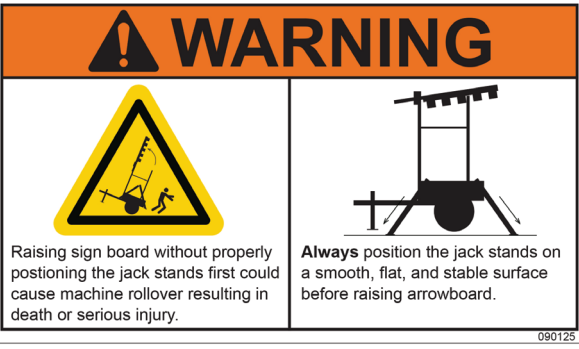
SN 02-000001 and UP

3



090147

6

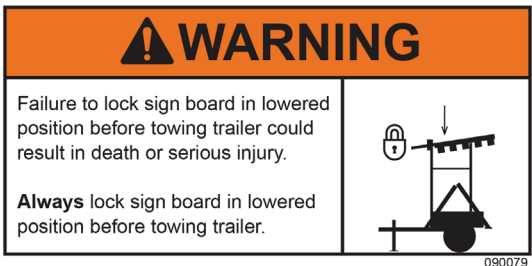


Raising sign board without properly positioning the jack stands first could cause machine rollover resulting in death or serious injury.

Always position the jack stands on a smooth, flat, and stable surface before raising arrowboard.

090125

2



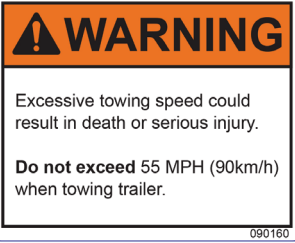
WARNING

Failure to lock sign board in lowered position before towing trailer could result in death or serious injury.

Always lock sign board in lowered position before towing trailer.

090079

1



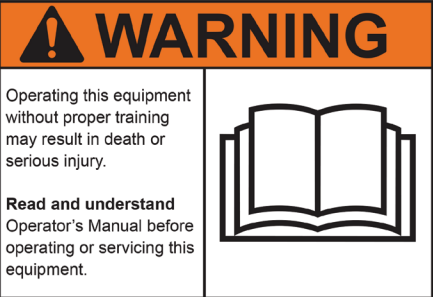
WARNING

Excessive towing speed could result in death or serious injury.

Do not exceed 55 MPH (90km/h) when towing trailer.

090160

4

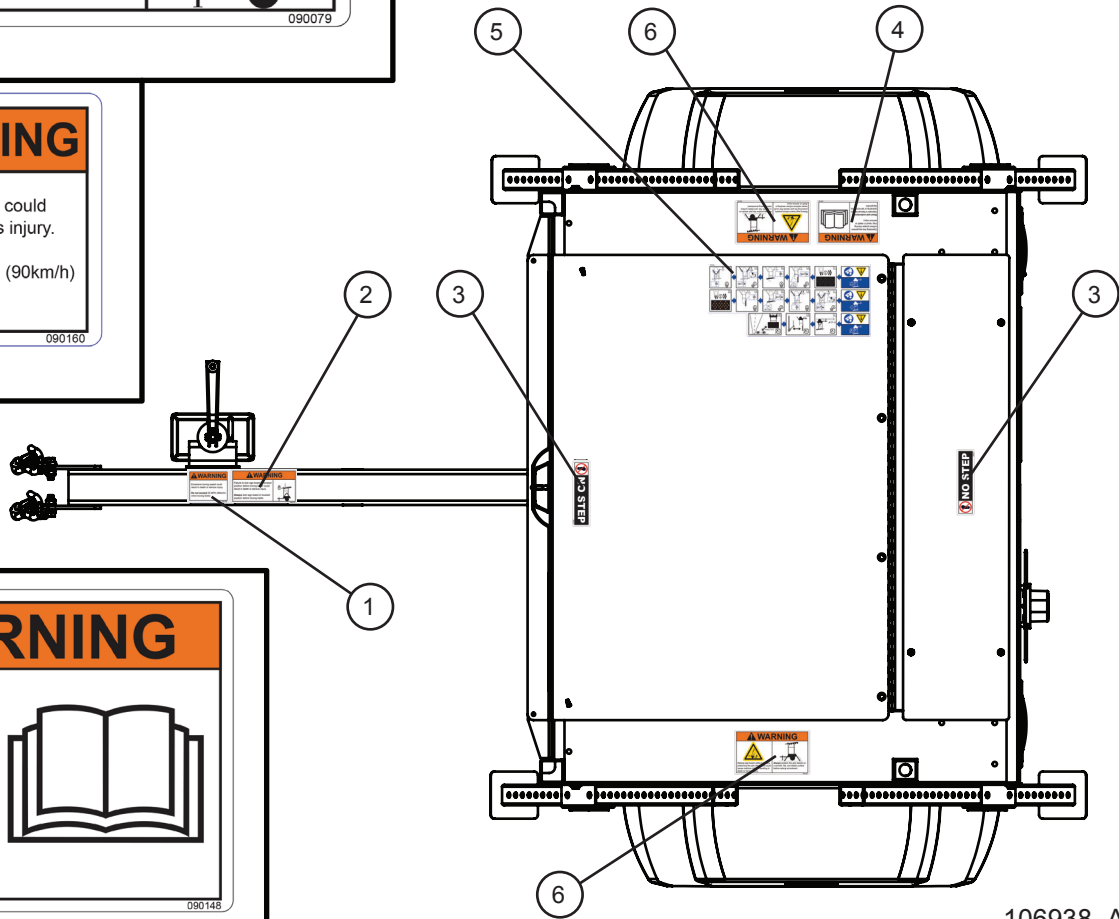


WARNING

Operating this equipment without proper training may result in death or serious injury.

Read and understand Operator's Manual before operating or servicing this equipment.

090148



106938_A

Eclipse® AB 2400

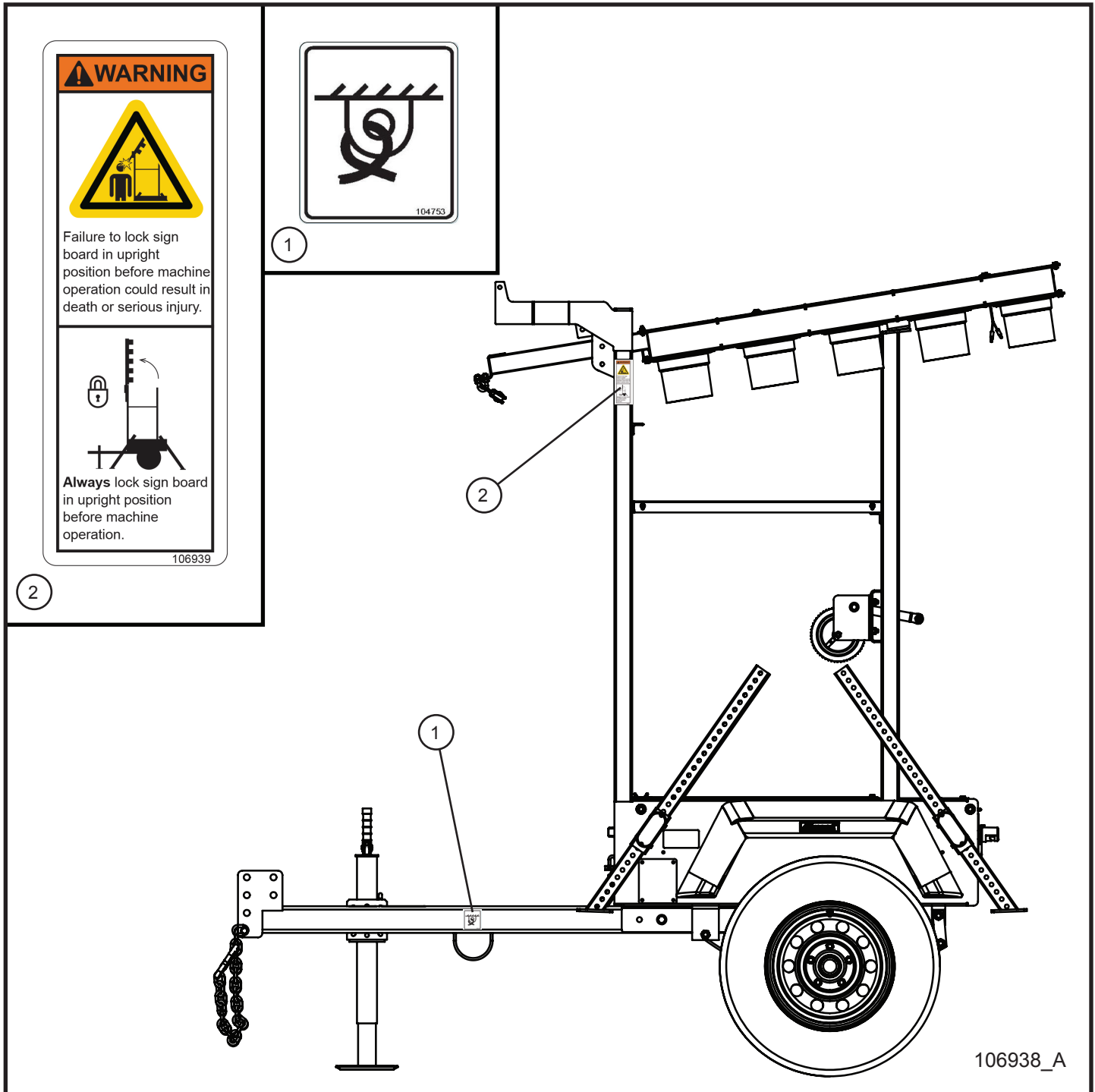
4.1 AB 2400 Top Side Decals

SN 02-000001 and UP

Item	Part No.	Part Description	Qty.
1	090160	WARNING DECAL EXCESSIVE TOWING	1
2	090079	WARNING DECAL BEFORE TOWING	1
3	090147	DECAL NO STEP	2
4	090148	WARNING DECAL READ MANUAL	1
5	107244	DECAL WORDLESS ARROWBOARD OPERATOR	1
6	090125	WARNING DECAL CORNER STANDS	2

4.2 AB 2400 Left Side Decals

SN 02-000001 and UP



Eclipse® AB 2400

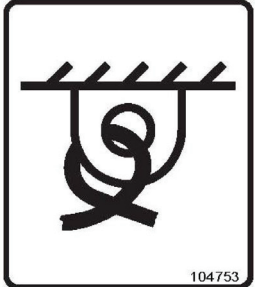

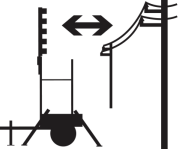

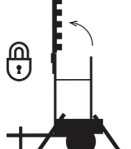
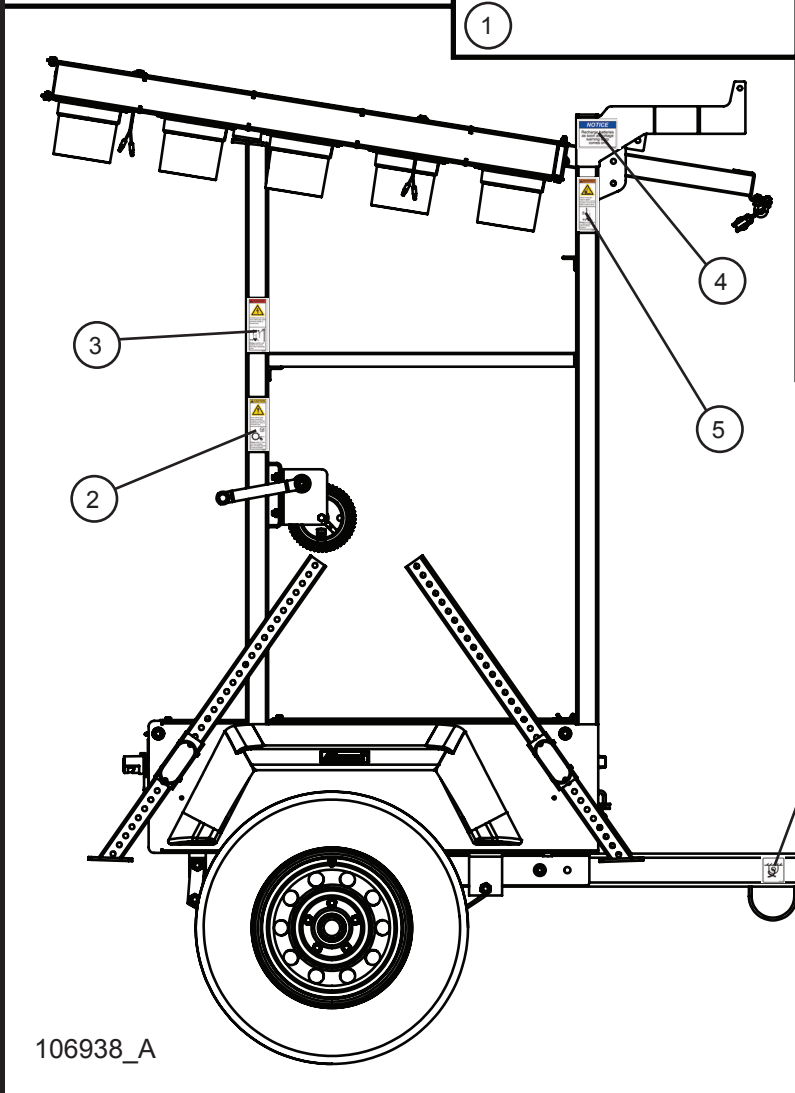

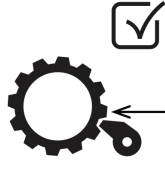
4.2 AB 2400 Left Side Decals

SN 02-000001 and UP

Item	Part No.	Part Description	Qty.
1	104753	DECAL TIE DOWN POINT	1
2	106939	WARNING DECAL FAILURE TO LOCK	1

4.3 AB 2400 Right Side Decals

SN 02-000001 and UP

<p>NOTICE</p> <p>Recharge batteries as soon as voltage warning lamp comes on.</p> <p>090132</p> <p>4</p>	 <p>104753</p> <p>1</p>	<p>DANGER</p>  <p>Contacting power lines when raising sign board will result in death or serious injury.</p>  <p>Always maintain safe distance from power lines when raising sign board.</p> <p>090008</p> <p>3</p>	<p>WARNING</p>  <p>Failure to lock sign board in upright position before machine operation could result in death or serious injury.</p>  <p>Always lock sign board in upright position before machine operation.</p> <p>106939</p> <p>5</p>
 <p>106938_A</p>		<p>CAUTION</p>  <p>Snow and ice could cause uncontrolled condition in which that could result in minor to moderate injury.</p>  <p>Always check to make sure pawl engages gear, and apply silicone to winch as needed.</p> <p>106941</p> <p>2</p>	

Eclipse® AB 2400

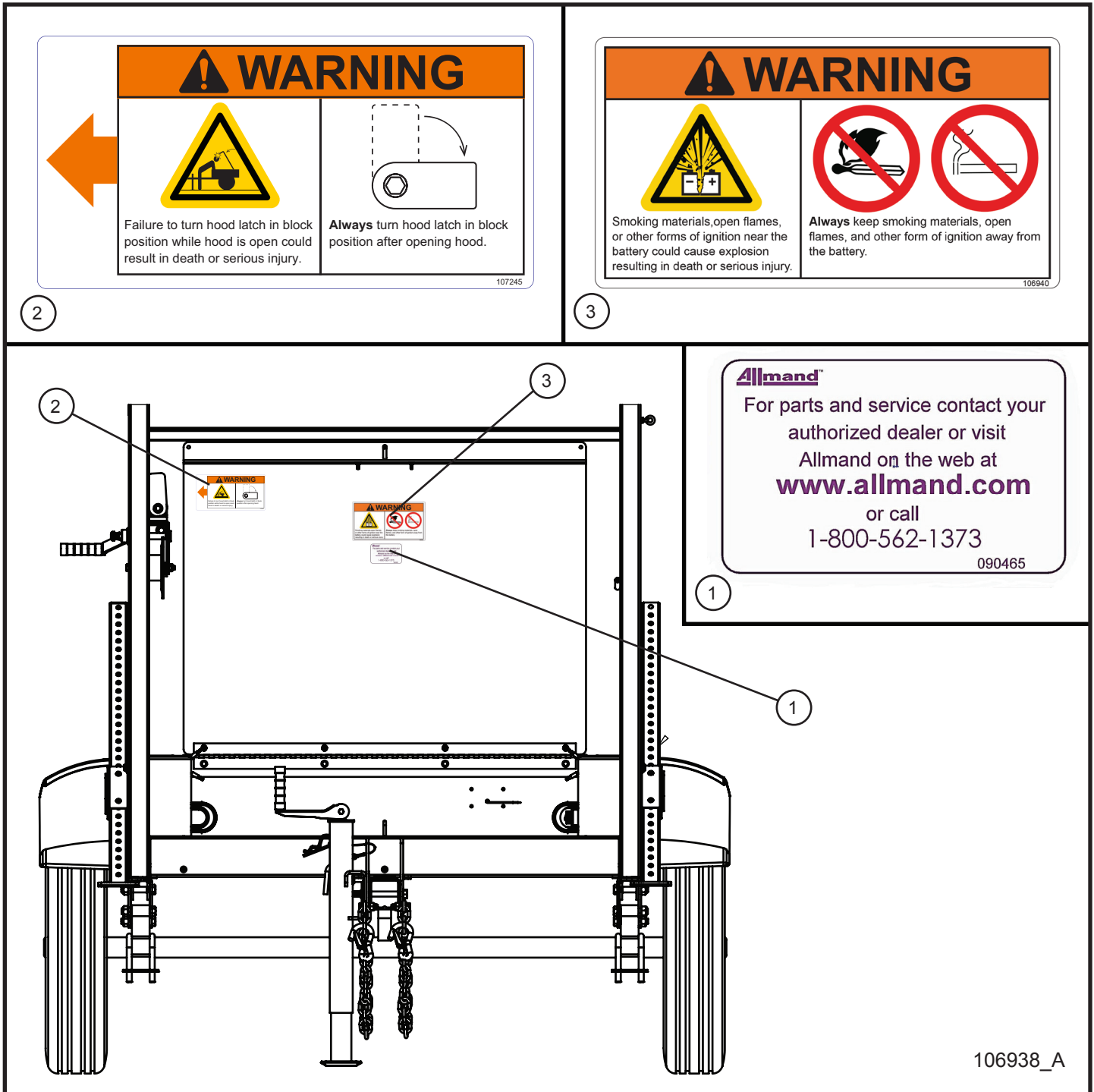
4.3 AB 2400 Right Side Decals

SN 02-000001 and UP

Item	Part No.	Part Description	Qty.
1	104753	DECAL TIE DOWN POINT	1
2	106941	CAUTION DECAL ICY CONDITIONS	1
3	090008	DANGER DECAL POWER LINES	1
4	090132	NOTICE DECAL RECHARGE BATTERY	1
5	106939	WARNING DECAL FAILURE TO LOCK	1

4.4 AB 2400 Battery Hood Decals

SN 02-000001 and UP



106938_A

Eclipse® AB 2400

4.4 AB 2400 Battery Hood Decals

SN 02-000001 and UP

Item	Part No.	Part Description	Qty.
1	090465	PARTS & SERVICE PARTS	1
2	107245	HOOD LATCH WARNING DECAL	1
3	106940	WARNING DECAL BATTERY	1

4.5 AB 2400 Front Side Decals

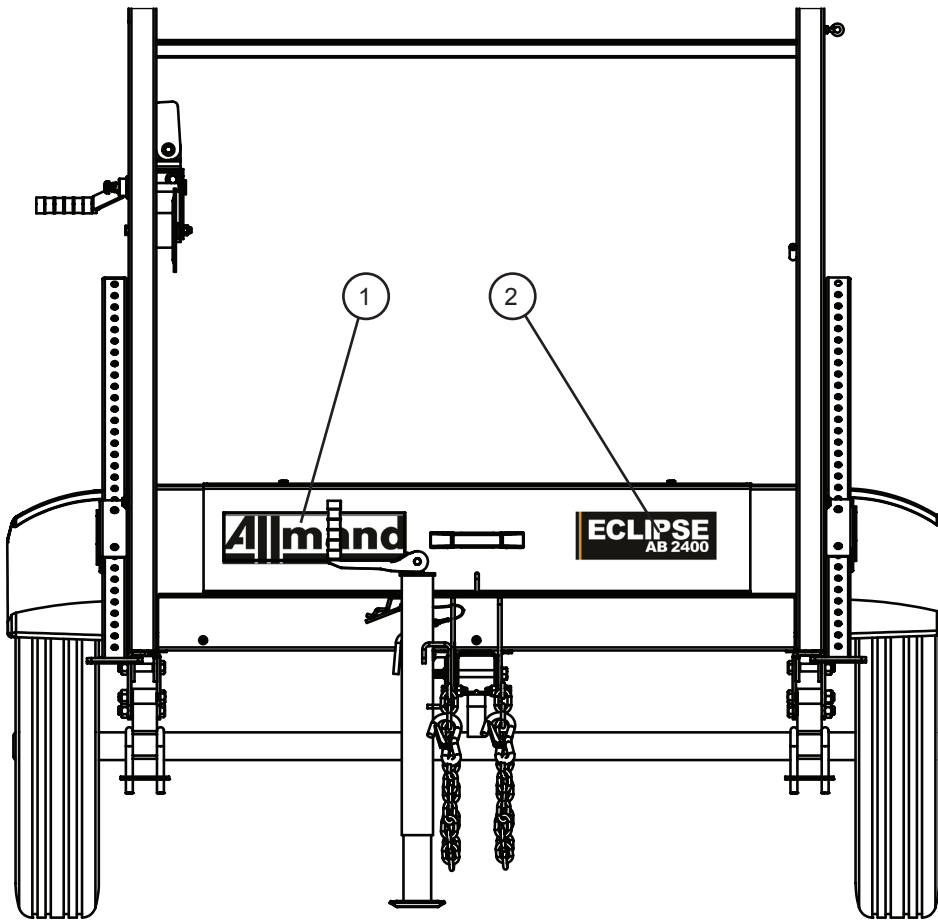
SN 02-000001 and UP



1



2



106570_A
106938_A

Eclipse® AB 2400

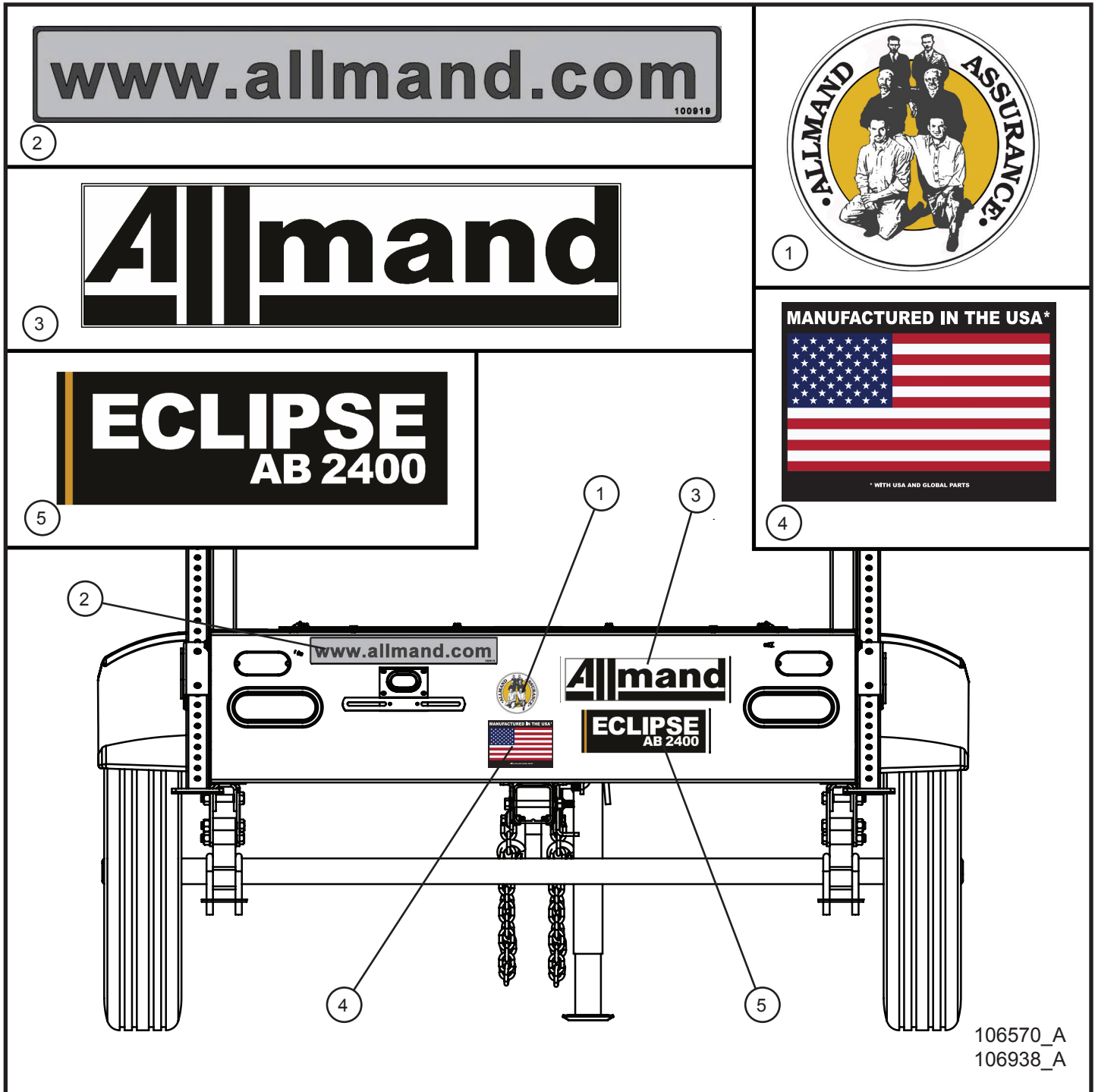
4.5 AB 2400 Front Side Decals

SN 02-000001 and UP

Item	Part No.	Part Description	Qty.
1	106546	DECAL ALLMAND BLACK AB 2400	1
2	106548	DECAL ECLIPSE AB 2400	1

4.6 AB 2400 Rear Side Decals

SN 02-000001 and UP



Eclipse® AB 2400

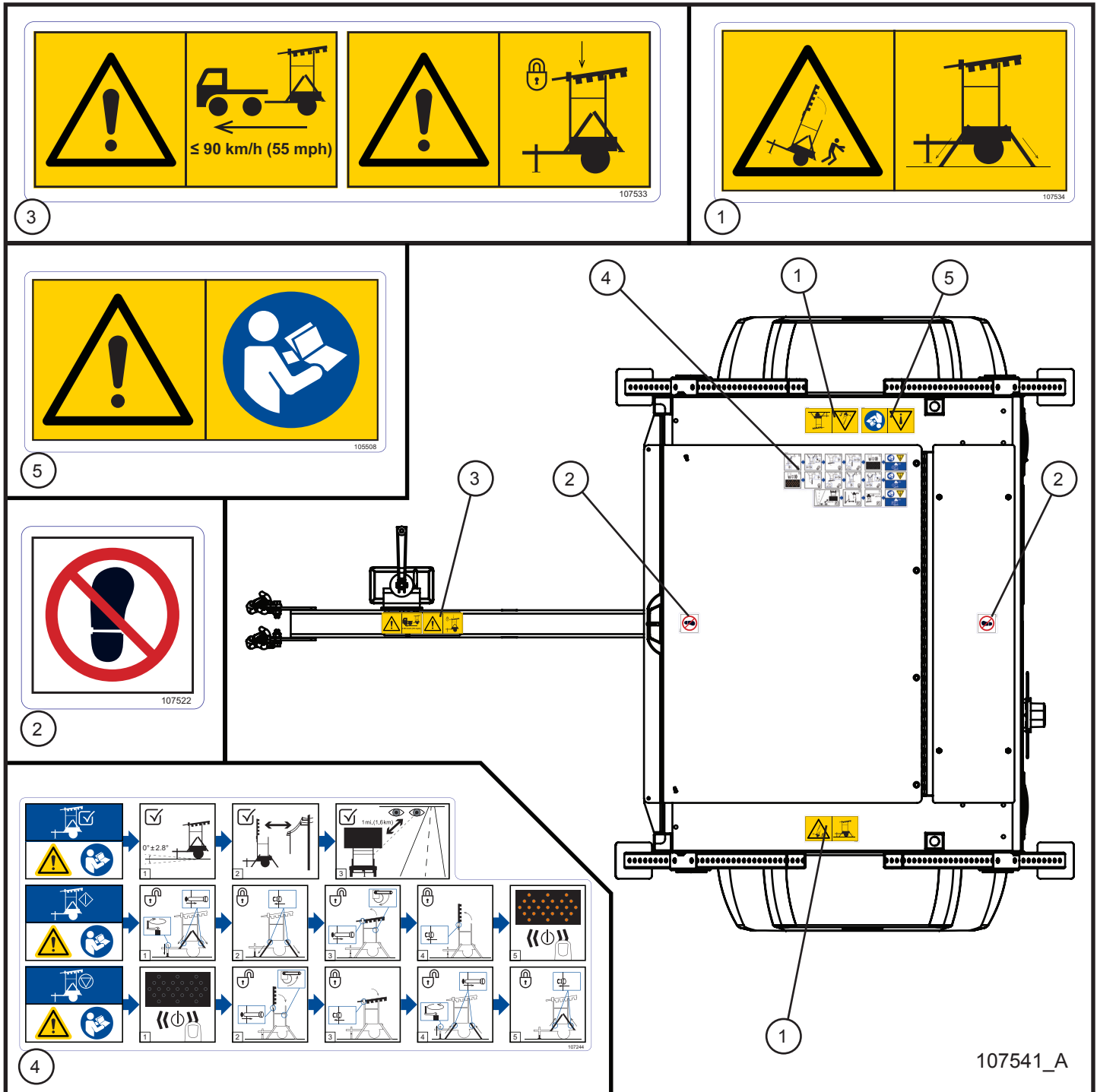
4.6 AB 2400 Rear Side Decals

SN 02-000001 and UP

Item	Part No.	Part Description	Qty.
1	102088	3 GENERATIONS DECAL ALLMAND ASSURANCE	1
2	100919	WWW.ALLMAND.COM DECAL	1
3	106546	DECAL ALLMAND BLACK AB 2400	1
4	105467	MANUFACTURED IN THE USA	1
5	106548	DECAL ECLIPSE AB 2400	1

4.7 AB 2400 Wordless Top Side Decals

SN 02-000001 and UP



Eclipse® AB 2400

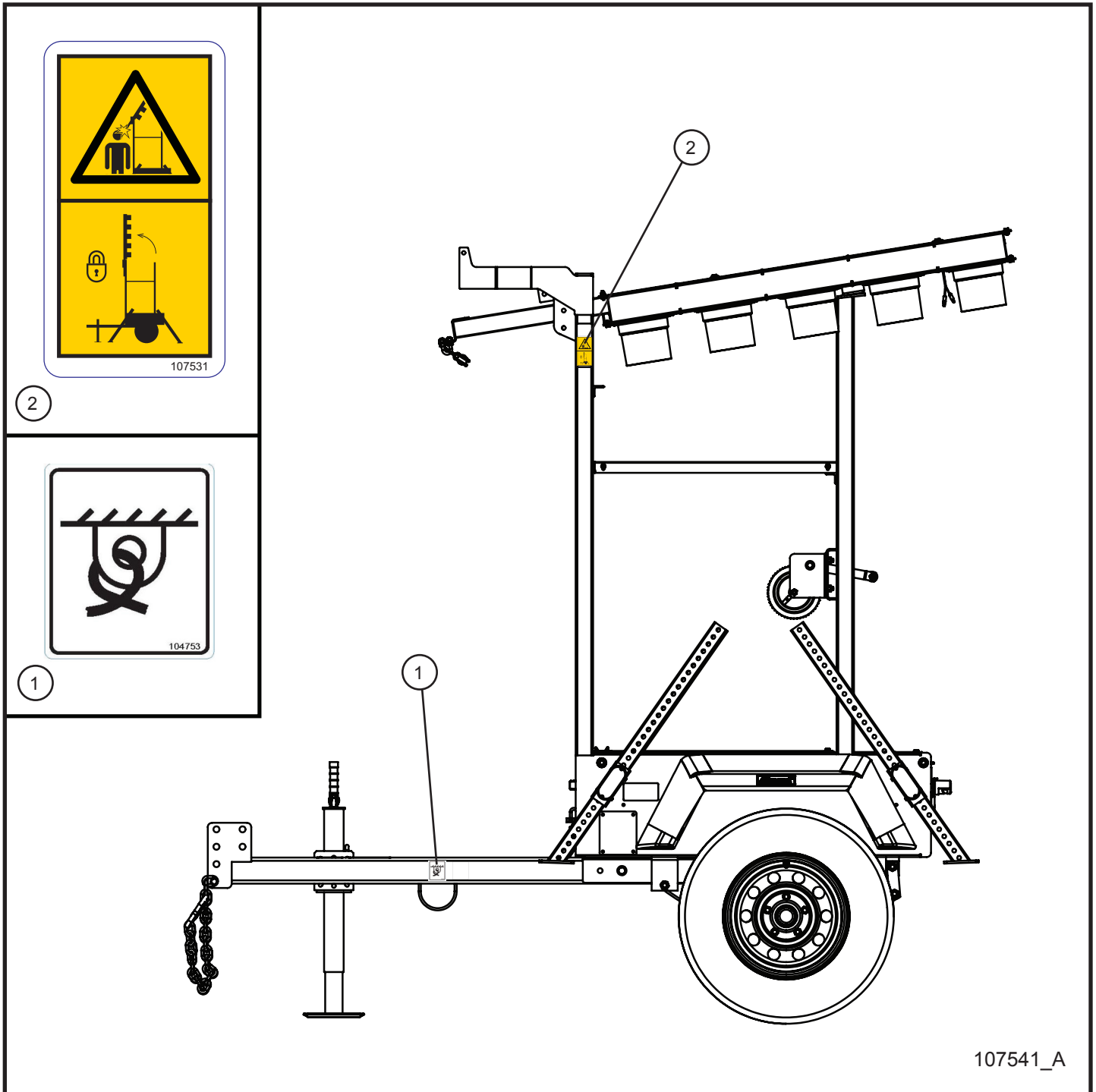
4.7 AB 2400 Wordless Top Side Decals

SN 02-000001 and UP

Item	Part No.	Part Description	Qty.
1	107534	JACK STANDS WARNING WORDLESS DECAL	2
2	107522	NO STEP WORDLESS DECAL	2
3	107533	TOWING WARNING WORDLESS DECAL	1
4	107244	DECAL WORDLESS ARROWBOARD OPERATOR	1
5	105508	READ MANUAL DECAL	1

4.8 AB 2400 Wordless Left Side Decals

SN 02-000001 and UP



107541_A

Eclipse® AB 2400

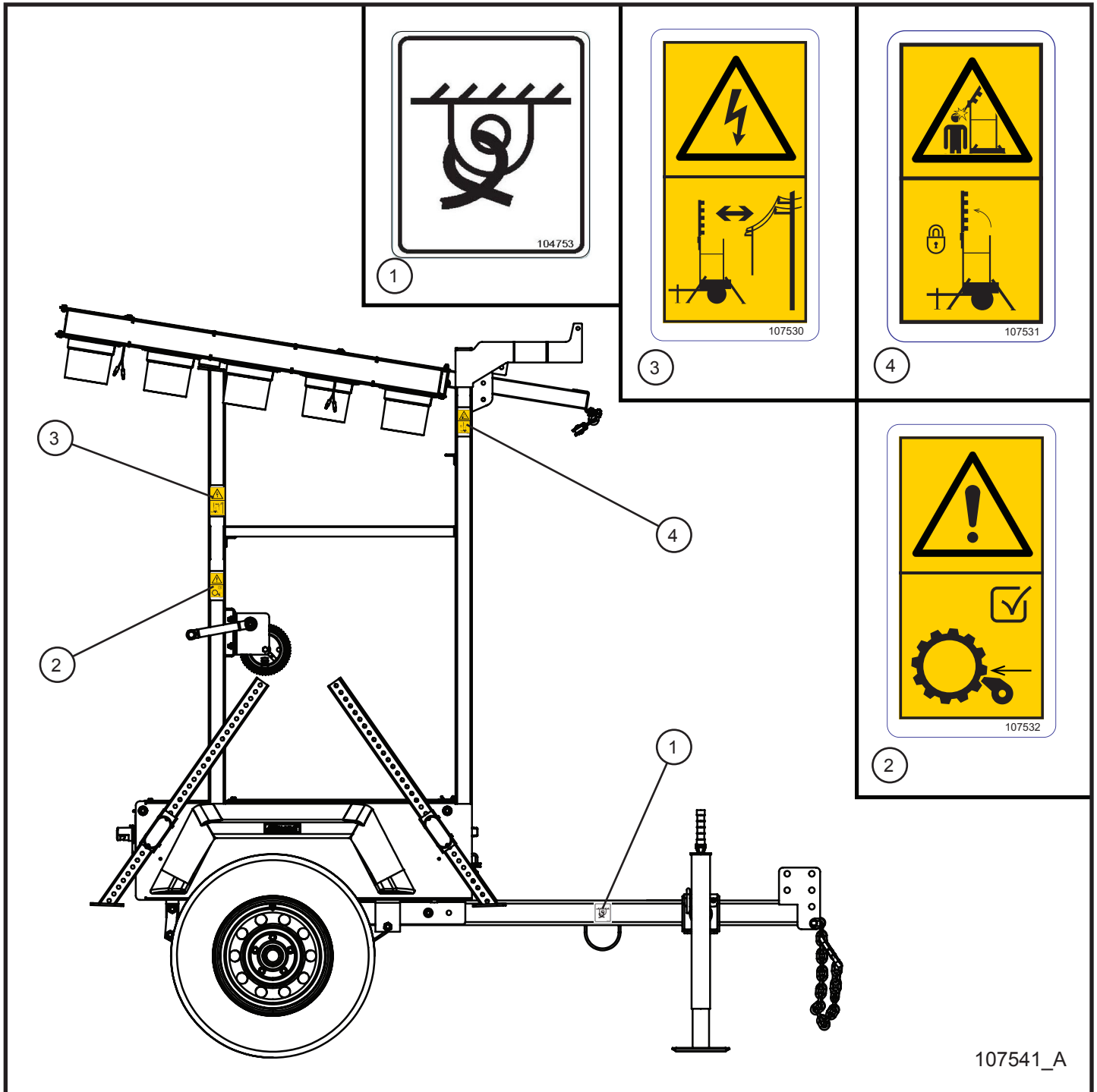
4.8 AB 2400 Wordless Left Side Decals

SN 02-000001 and UP

Item	Part No.	Part Description	Qty.
1	104753	DECAL TIE DOWN POINT	1
2	107531	UPRIGHT LOCK WARNING WORDLESS DECAL	1

4.9 AB 2400 Wordless Right Side Decals

SN 02-000001 and UP



Eclipse® AB 2400

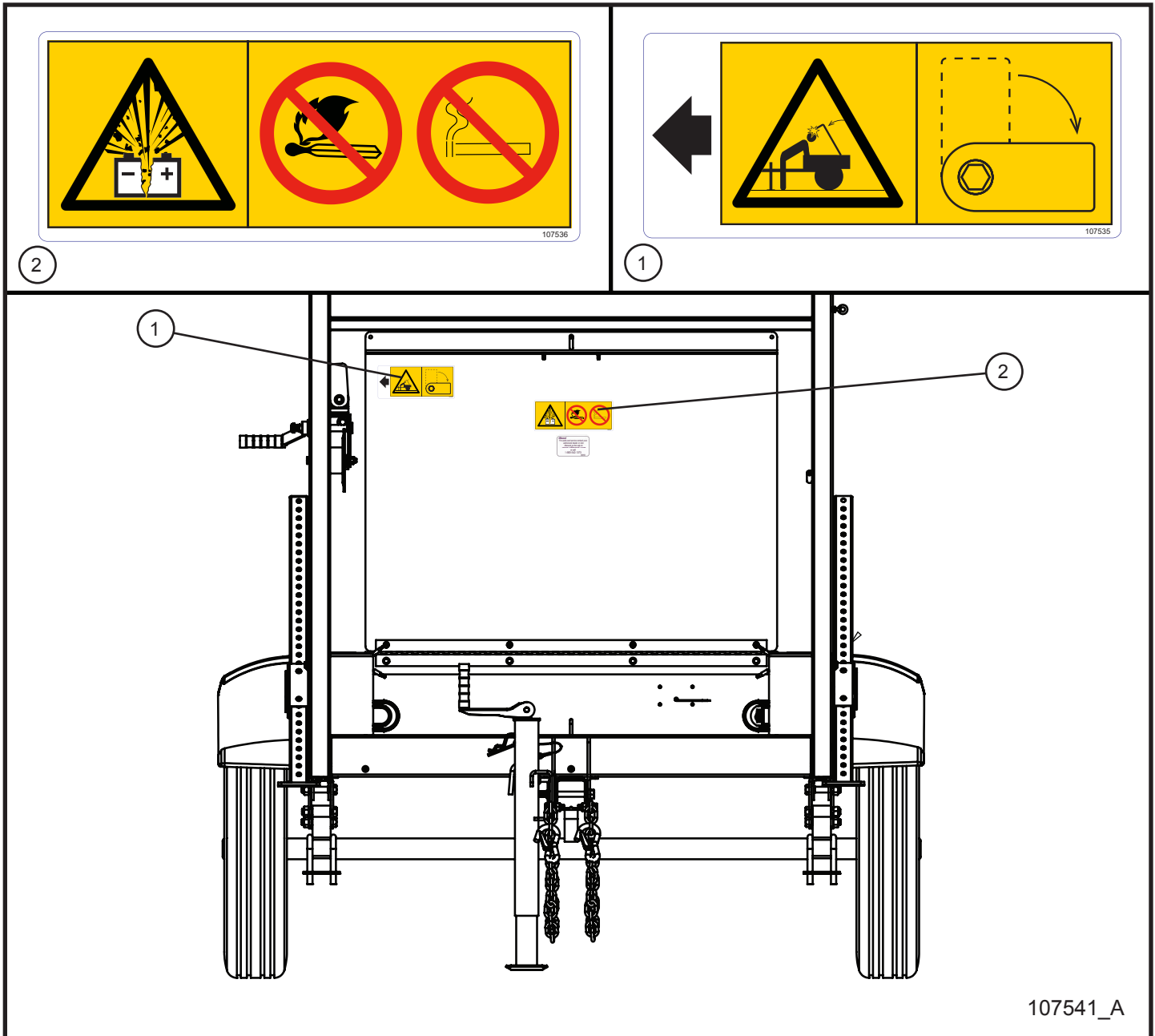
4.9 AB 2400 Wordless Right Side Decals

SN 02-000001 and UP

Item	Part No.	Part Description	Qty.
1	104753	DECAL TIE DOWN POINT	1
2	107532	WINCH CAUTION WORDLESS DECAL	1
3	107530	OVERHEAD WARNING WORDLESS DECAL	1
4	107531	UPRIGHT LOCK WARNING WORDLESS DECAL	1

4.10 AB 2400 Wordless Battery Hood Decals

SN 02-000001 and UP



Eclipse® AB 2400

4.10 AB 2400 Wordless Battery Hood Decals

SN 02-000001 and UP

Item	Part No.	Part Description	Qty.
1	107535	HOOD LATCH WARNING WORDLESS DECAL	1
2	107536	BATTERY WARNING WORDLESS DECAL	1

Allmand™

BRIGHTER. WARMER. SAFER.

Allmand Bros., Inc.
1502 West 4th Avenue
Holdrege, NE 68949
phone: (308) 995-4495 • toll free: (800) 562-1373
fax: (308) 995-5887

www.allmand.com



Reliability, performance, and integrity since 1938

13-0267